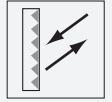




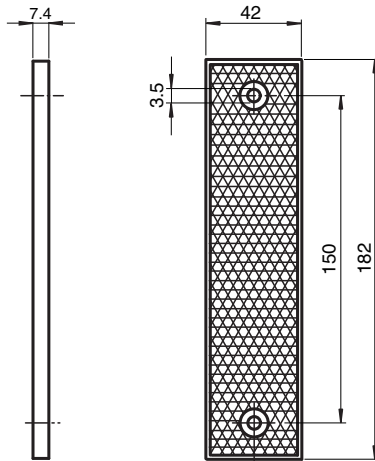
Reflector REF-H180

- Mounting holes for simple installation



Reflector, rectangular 182 mm x 42 mm, mounting holes

Dimensions



Technical Data

General specifications

Construction type rectangular

Ambient conditions

Ambient temperature -20 ... 60 °C (-4 ... 140 °F)

Mechanical specifications

Material PMMA/ABS

Dimensions 182 mm x 42 mm x 7.4 mm

Mounting mounting holes