

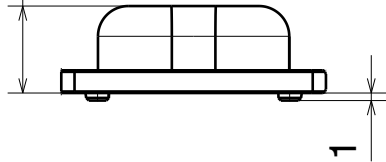
D

C

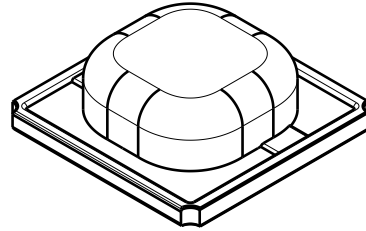
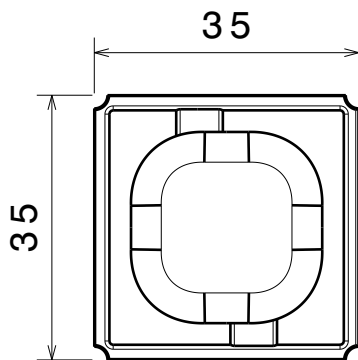
B

A

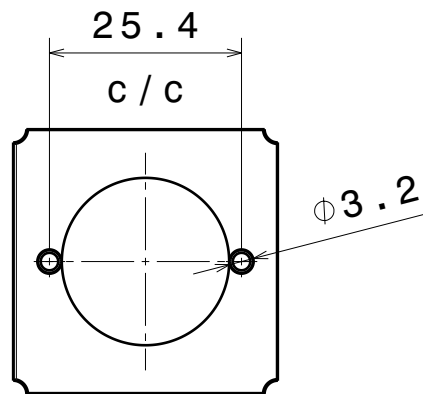
11.5



Front view

Isometric view  
Scale: 1:1

Top view



Bottom view

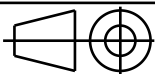
| INDEX | PART NO | DESCRIPTION | MATERIAL | COLOUR |
|-------|---------|-------------|----------|--------|
| 1     | -       | JENNY-CY-G2 | Silicone |        |

Tolerances if not otherwise shown  
According to DIN ISO 2768-1  
Linear measures:  
Up to 30mm class M, otherwise class C.  
According to DIN ISO 2768-2  
Form and position: class L

LEDiL

Ledil Oy  
Salorankatu 10  
FIN 24240 SALO  
Finland

THIRD ANGLE PROJECTION:



DRAWING TITLE

JENNY-CY-G2

This drawing is the property  
of LEDiL Oy. It may not be  
reproduced, copied or  
communicated without a written  
agreement with LEDiL Oy.

| SIZE | PART NUMBER |
|------|-------------|
| A4   | -           |

| SCALE | 1:1 | WEIGHT | 7,4 g | SHEET | 1/1 |
|-------|-----|--------|-------|-------|-----|
|-------|-----|--------|-------|-------|-----|

D

A