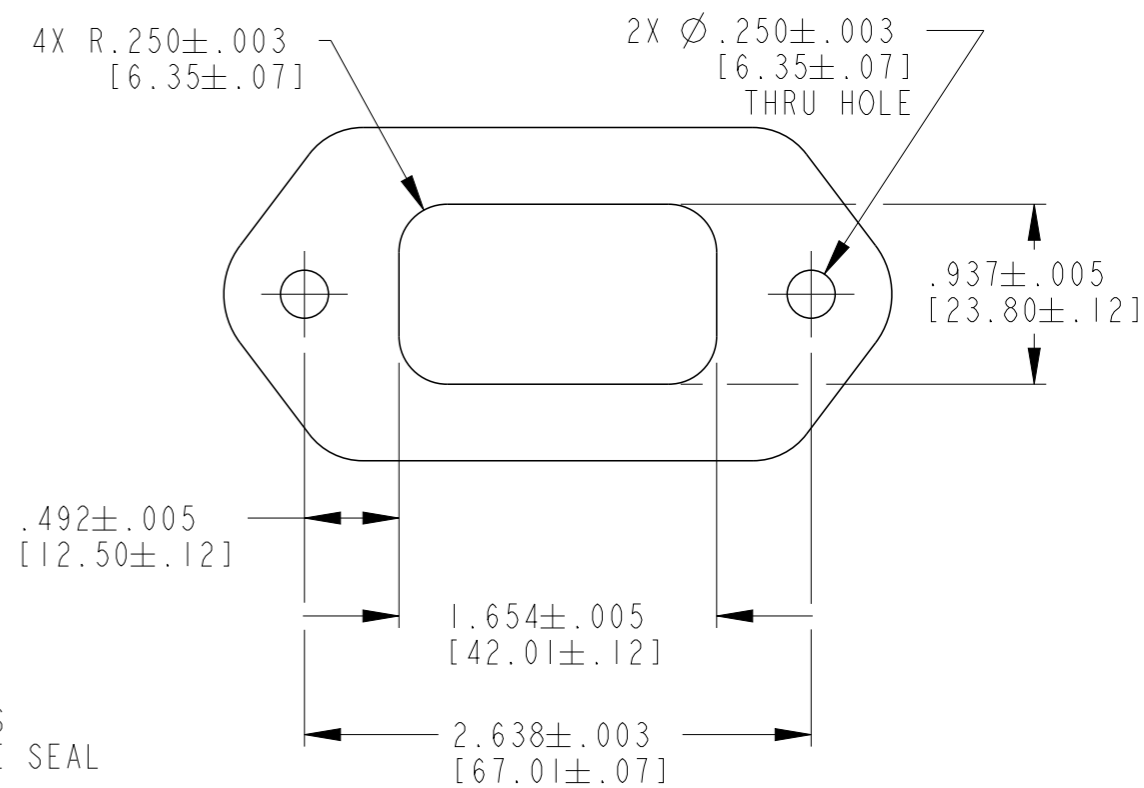
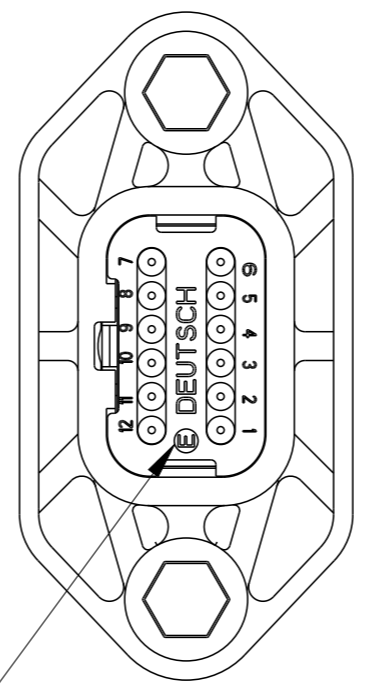
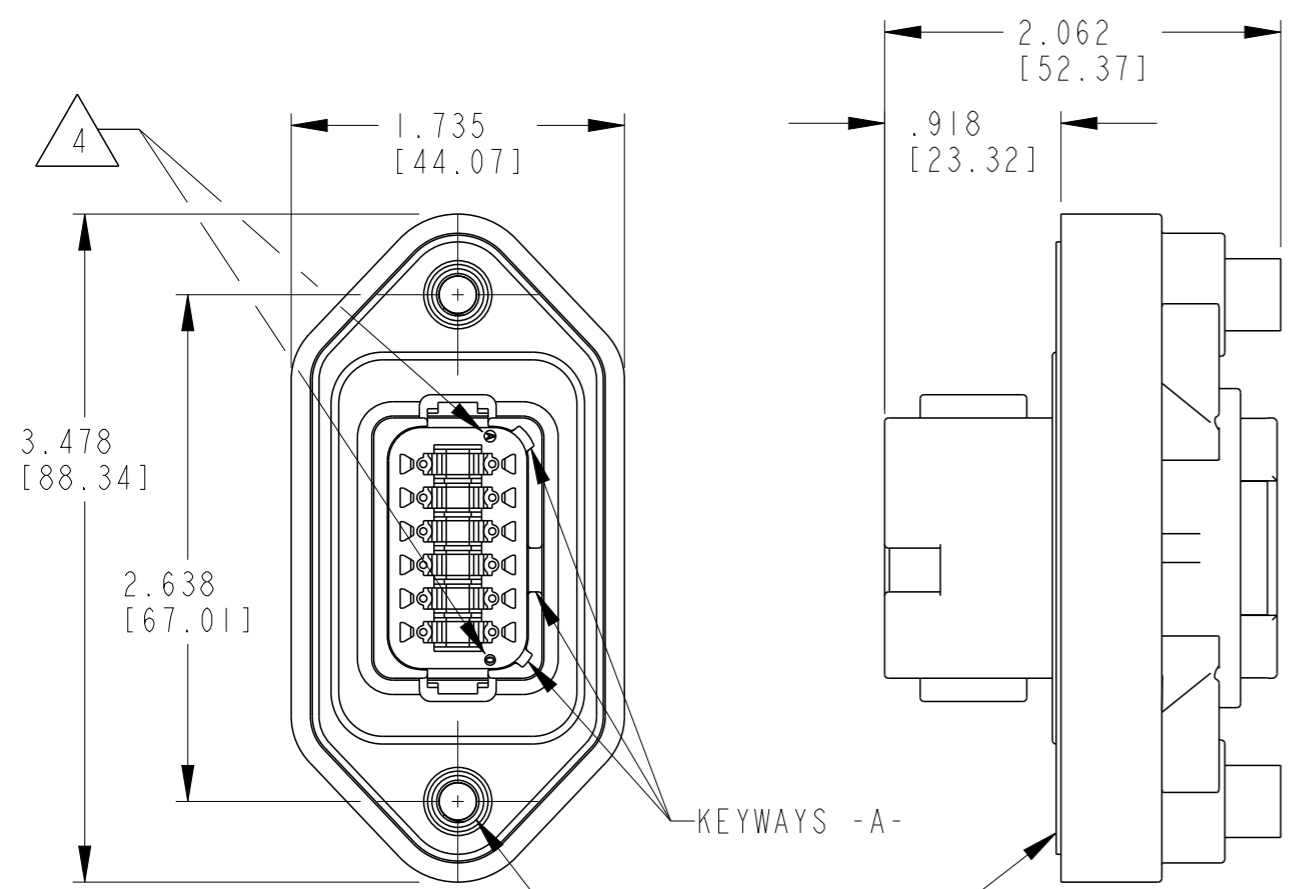


| REVISIONS | | | | | |
|-----------|-----|-----------------------------|-----------|-----|------|
| P | LTR | DESCRIPTION | DATE | DWN | APVD |
| | A | REVISED PER PCN E-17-012564 | 28AUG2017 | JA | DM |
| | B | REVISED PER PCN E-19-014633 | 13FEB2019 | AK | NS |
| | | | | | |
| | | | | | |



2X THREADED INSERT
 M6 X .500 DEEP
 RECOMMENDED TORQUE:
 62-88 IN-LB [7-10 N-m]

FLANGE SEAL IS INTENDED
 FOR NON-PRESSURIZED
 FLUID SPLASH ONLY

-E- SYMBOL DESIGNATES
 REDUCED DIAMETER WIRE SEAL

RECOMMENDED PANEL-CUTOUT

4 DATE CODE: MONTH IS REPRESENTED BY SEQUENTIAL ALPHA CHARACTERS. EX: A = JANUARY, YEAR IS REPRESENTED BY LAST NUMERICAL DIGIT. EX: 0 = 2010

3 MATERIAL: HOUSING, CAP: PA66 GF15 (GRAY)
 FLANGE: PA66 GF15 (BLACK)
 GROMMET, GASKET: VMQ (BURNT RED)
 INSERTS: STAINLESS STEEL

2. THIS RECEPTACLE MATES WITH DT06-12SA-XXXX PLUG.
 (XXXX = ALL MODIFICATIONS)
 CONSULT FACTORY FOR MODIFICATIONS.

1 FOR CONTACTS AND WIRE PERFORMANCE AND APPLICATION CHARACTERISTICS, SEE ENVELOPE DRAWING 0425-015-0000.

NOTES: UNLESS OTHERWISE SPECIFIED

| | |
|----------------|----------------|
| TE INTERNAL PN | DEUTSCH PN |
| DT04-12PA-BL11 | DT04-12PA-BL11 |

| CONTACT SIZE | MIN. INSUL. O.D. | MAX. INSUL. O.D. | WIRE RANGE [mm ²] REF ONLY |
|--------------|------------------|------------------|--|
| 16 | .053 [1.35] | .120 [3.05] | 14-20 AWG [2.5-0.5] |

| | | | | |
|---|--|------------------------------------|---|------------------------------|
| THIS DRAWING IS A CONTROLLED DOCUMENT. | | DWN A. MALAGON 11 JUL 2006 | | |
| DIMENSIONS: in [mm] | | CHK R. MESSENGER 01 AUG 2006 | | |
| TOLERANCES UNLESS OTHERWISE SPECIFIED: | | APVD S. BEARD 08 AUG 2006 | NAME 12 WAY RECEPTACLE WITH ENHANCED KEY DT SERIES | |
| 0 PLC ± 1 PLC ± 2 PLC ± 3 PLC ±.025 [0.64] 4 PLC ± ANGLES ±0° 30' 0" | | PRODUCT SPEC 108-151009 | SIZE A3 | |
| MATERIAL | | APPLICATION SPEC 114-151009 | CAGE CODE 4AFU8 | DRAWING NO DT04-12PA-BL11 |
| FINISH | | WEIGHT 93g | RESTRICTED TO | |
| 3 | | CUSTOMER DRAWING | SCALE 1:1 | SHEET 1 OF 1 |
| | | | REV B | |