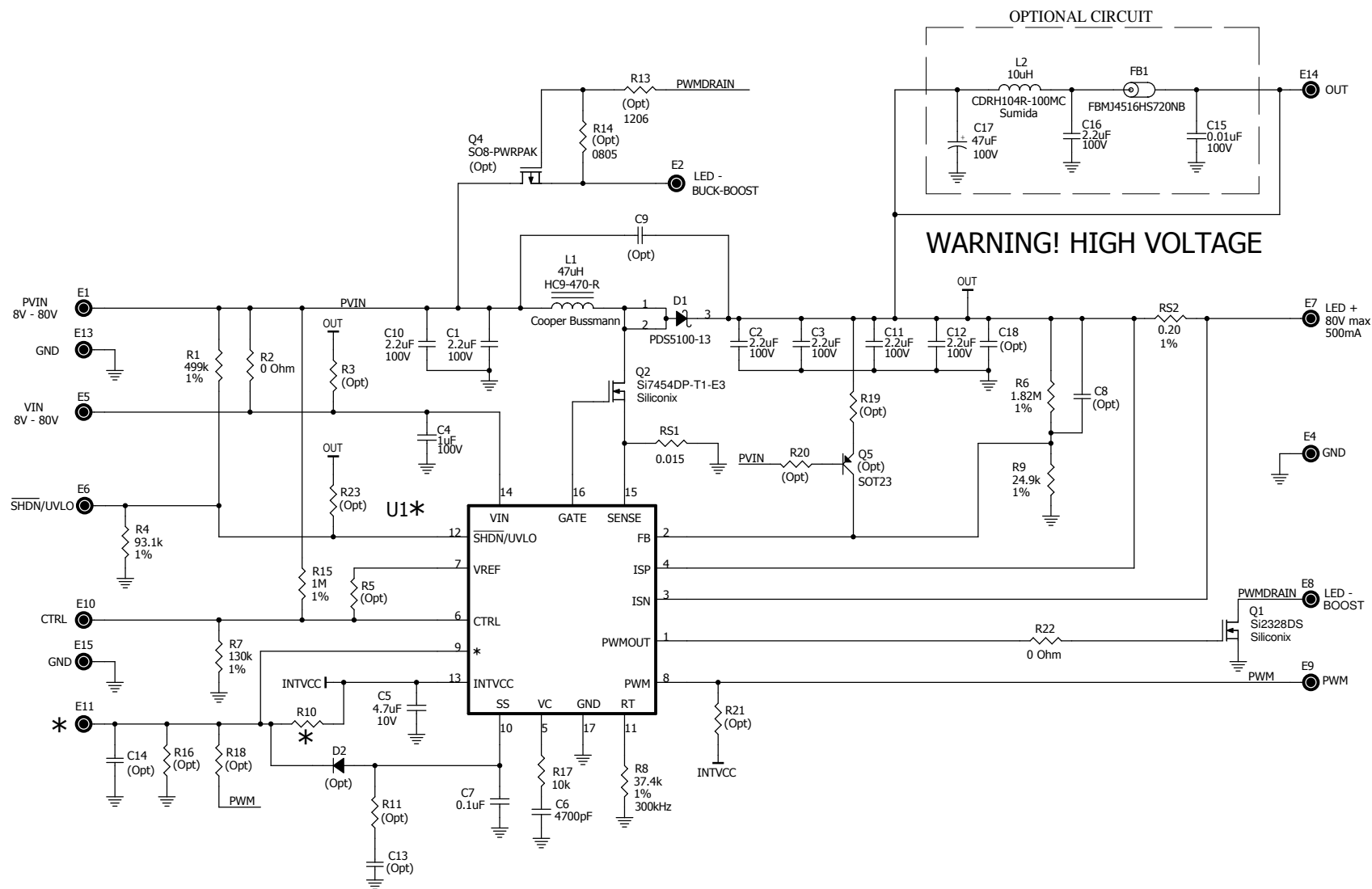


This circuit is proprietary to Linear Technology and supplied for use with Linear Technology parts.

**Customer Notice:** Linear Technology has made a best effort to design a circuit that meets customer-supplied specifications; however, it remains the customer's responsibility to verify proper and reliable operation in the actual application. Component substitution and printed circuit board layout may significantly affect circuit performance or reliability. Contact Linear Applications Engineering for assistance.

REVISION #				REVISION HISTORY		
SD	PC	FD	AD	DESCRIPTION	DATE	APPROVED
0	0	0	0	1st Release	7/15/09	KSz



* ASSY	U1(IC)	U1-9 (Name)	E11 (Name)	R10
-A	LT3756EMSE-2	OPENLED	OPENLED	100k
-B	LT3756EMSE-1	SYNC	SYNC	OPT

APPROVALS		LINEAR TECHNOLOGY CORPORATION	
DRAWN: Rudy Bautista		1630 McARTHUR BLVD MILPITAS, CA. 95035 (408)432-1900 (408)434-0507 (FAX)	
ENGINEER: KSz		www.linear.com LTC Confidential - For Customer Use Only	
APPROVED:		Title: LT3756EMSE/-2/-1 High Voltage LED Controller	
CHECKED:		SD Document Number	Demo Circuit 1319B
Date: Monday, August 03, 2009		Rev 1	