

CTHCPI3231F Series 100µH

SPECIFICATIONS

*Inductance measure condition @ 100kHz, 0.1V

**Isat: Value of inductance decrease within 30%

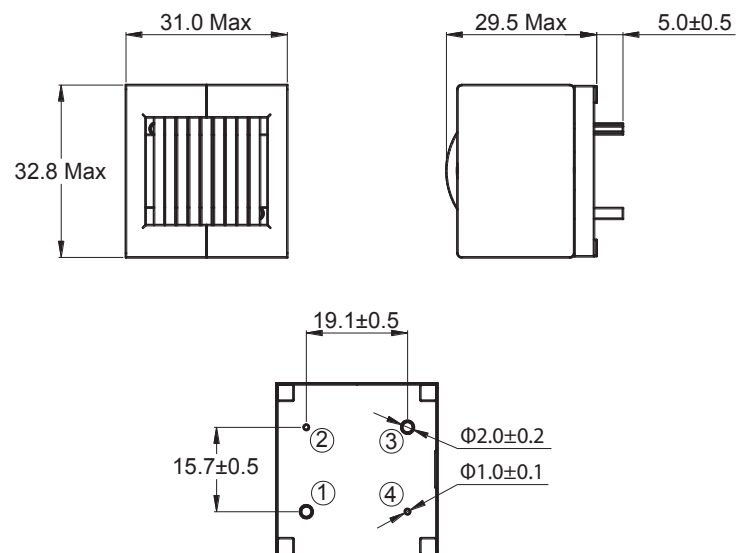
***Temp. Rise Current: Value of DC current when the temperature rise is $\Delta T40^{\circ}\text{C}$ ($T_a=25^{\circ}\text{C}$)

Part Number	*Inductance $\pm 20\%$ (μH)	DCR Typ. (Max.) ($\text{m}\Omega$)	**Isat Typ. (A)	***Temperature Rise Current Typ. (A)
CTHCPI3231F-101M	100.0	9.02(12.0)	23.0	23.0



PHYSICAL DIMENSIONS

Unit: mm



CHARACTERISTICS

Description: High current power inductors

Features:

- High inductance, high current
- Low magnetic loss, low ESR, small parasitic capacitance
- Temperature rise current and saturation current is less influenced by environment
- Semi-shielded design

Applications: Medical equipment, industrial control, new energy, etc.

Operating Temperature: -40°C to $+125^{\circ}\text{C}$ (including coil's temperature rise)

Inductance tolerance: $\pm 20\%$

Marking: Parts marked with inductance code

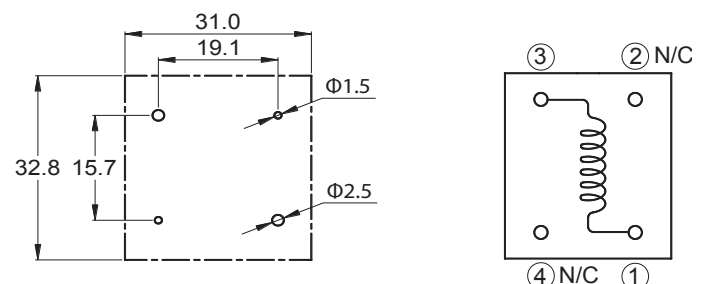
Packaging: Tray packaging

Miscellaneous: **RoHS Compliant**

Samples Available: See website for ordering information

RECOMMENDED PC BOARD LAYOUT & SCHEMATIC

Unit: mm



SATURATION CURRENT VS. TEMPERATURE RISE CURRENT CURVE

