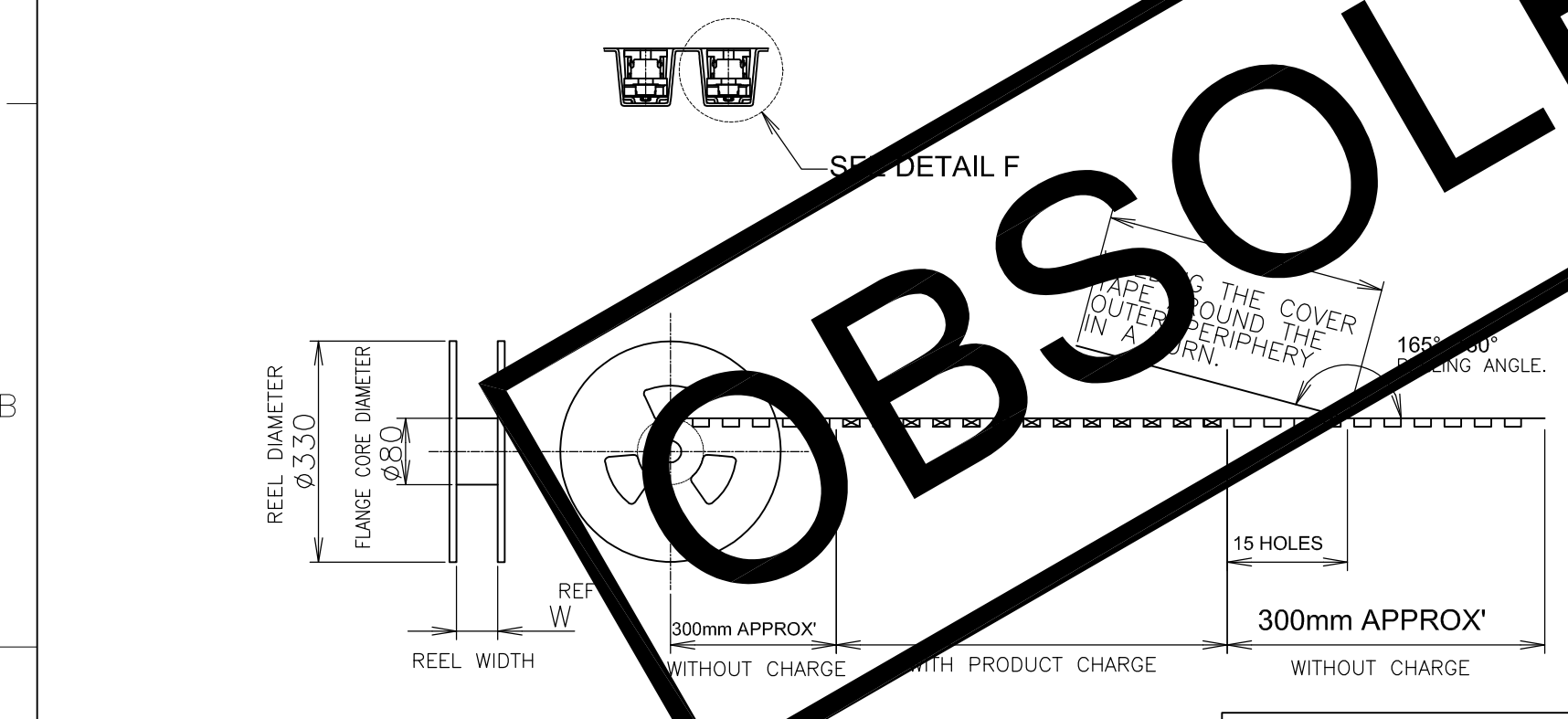
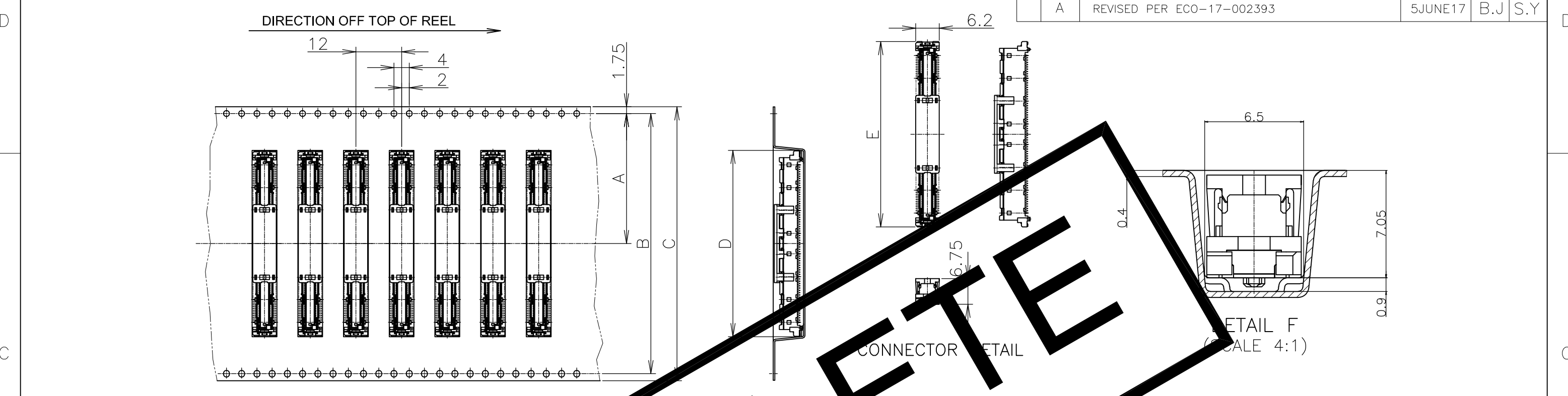


THIS DRAWING IS UNPUBLISHED. RELEASED FOR PUBLICATION JAN ,2002.  
 © COPYRIGHT 2002 BY TYCO ELECTRONICS CORPORATION. ALL RIGHTS RESERVED.

LOC	DIST	REVISIONS			
P	LTR	DESCRIPTION	DATE	DWN	APVD
	O	RELEASED	FJB0-0001-05	10DEC04	H.H I.E
	A	REVISED PER ECO-17-002393		5JUNE17	B.J S.Y



OBSOLETE

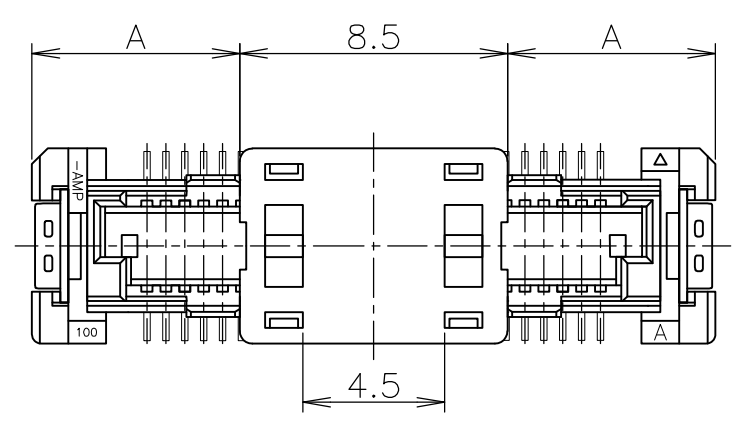
SEALANT	STATUS	QTY	W	E	D	C	B	A	POS.	PART NO.
SEALANT(SIF-200B)	NOT AVAILABLE	650	77.5	54.7	55	72	68.4	34.2	160	
			77.5	48.7	49	72	68.4	34.2	140	
			61.5	42.7	43	56	52.4	26.2	120	
			61.5	36.7	37	56	52.4	26.2	100	
			61.5	33.7	34	56	52.4	26.2	90	
			49.5	30.7	31	44	40.4	20.2	80	
			49.5	27.7	28	44	40.4	20.2	70	
			49.5	24.7	25	44	40.4	20.2	60	
	NOT AVAILABLE	650	37.5	21.7	22	32	28.4	14.2	50	
	NON SEALANT	NOT AVAILABLE	650	77.5	54.7	55	72	68.4	34.2	160
			77.5	48.7	49	72	68.4	34.2	140	
			61.5	42.7	43	56	52.4	26.2	120	
			61.5	36.7	37	56	52.4	26.2	100	
			61.5	33.7	34	56	52.4	26.2	90	
			49.5	30.7	31	44	40.4	20.2	80	
			49.5	27.7	28	44	40.4	20.2	70	
			49.5	24.7	25	44	40.4	20.2	60	
NOT AVAILABLE		650	37.5	21.7	22	32	28.4	14.2	50	6612008-3
AVAILABLE		650	37.5	21.7	22	32	28.4	14.2	50	6612008-3

THIS DRAWING IS A CONTROLLED DOCUMENT.		DWN	HAWKING HE	10DEC04	Tyco Electronics AMP K.K.			
		CHK	STEVEN YAO	10DEC04	Kawasaki.Japan			
		APVD	I.ENOMOTO	10DEC04	NAME			
		PRODUCT SPEC			EMBOSS ASSY			
		108-60047			FH 0.6BTB CONNECTOR			
		APPLICATION SPEC			PLUG 6H STD TYPE WITH 1ROW CAP			
		114-5255			SIZE	CAGE CODE	DRAWING NO	RESTRICTED TO
		WEIGHT			A3	00779	C-6612008	
		CUSTOMER DRAWING			SCALE	SHEET	OF	REV
					1:1	1	4	A

DIMENSIONS: MM		TOLERANCES UNLESS OTHERWISE SPECIFIED:	
		0 PLC	± 0.2
		1 PLC	± 0.2
		2 PLC	± 0.2
		3 PLC	± 0.2
		4 PLC ANGLES	± 5'
MATERIAL		FINISH	

THIS DRAWING IS UNPUBLISHED. RELEASED FOR PUBLICATION JUN , 1996.  
 © COPYRIGHT 1996 BY TYCO ELECTRONICS CORPORATION. ALL RIGHTS RESERVED.

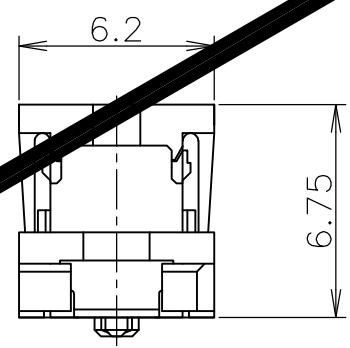
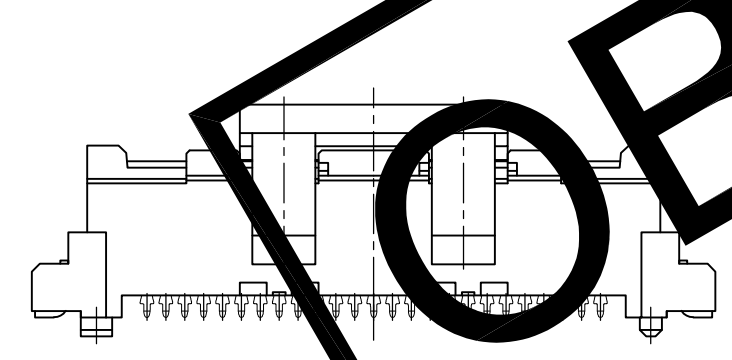
LOC	DIST	REVISIONS			
P	LTR	DESCRIPTION	DATE	DWN	APVD
	-	SEE SHEET 1	-	-	-



1 CONNECTORS DIMENSION AND RECOMMENDED P.C. BOARD LAYOUT : SEE CONNECTOR DRAWING

**OBSOLETE**

LEAD FREE

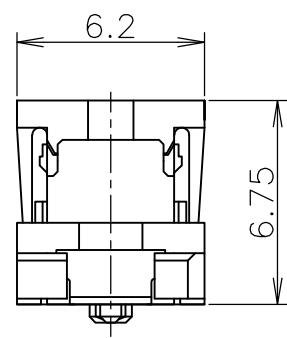
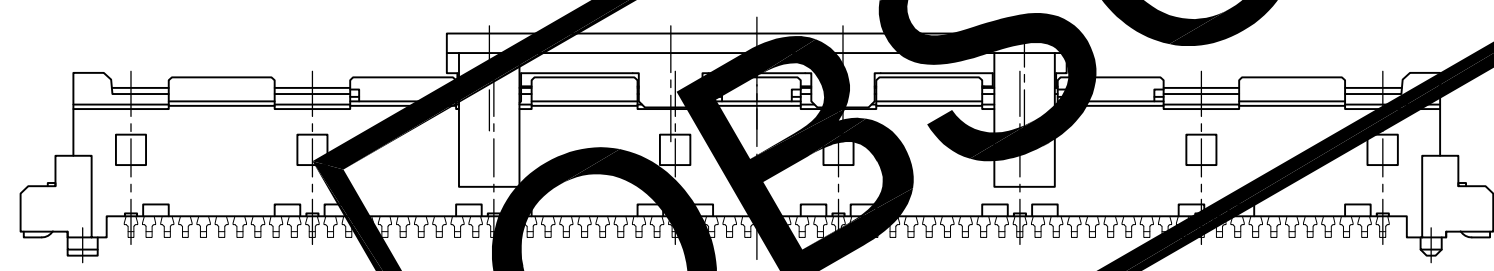
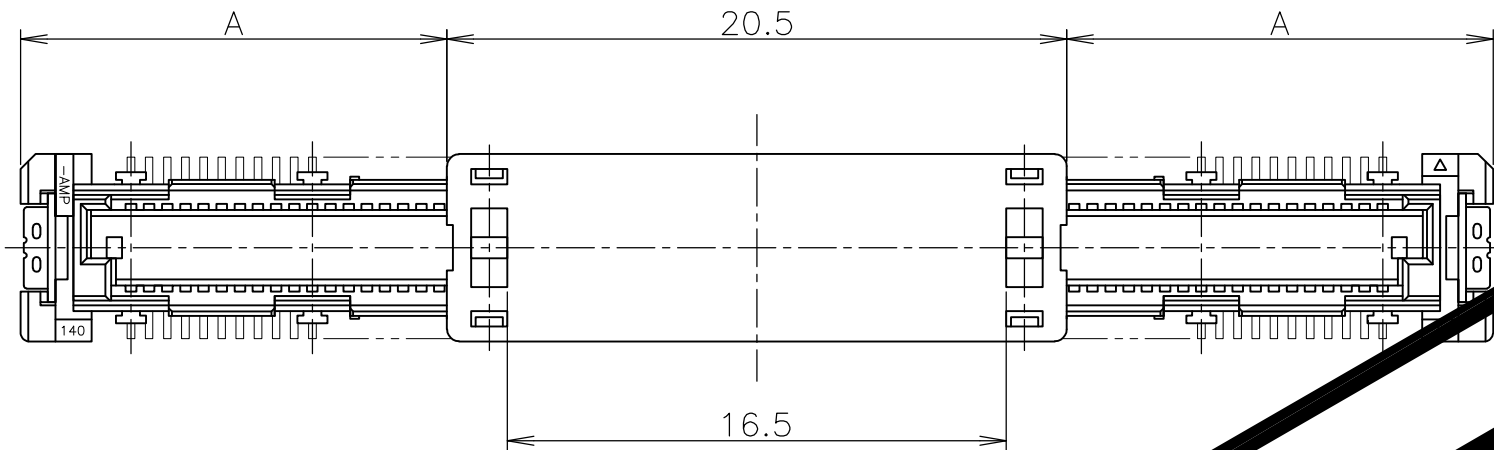


NOT AVAILABLE		80	
NOT AVAILABLE		70	
NOT AVAILABLE		60	
AVAILABLE	6.6	50	1123835-2
TOOLING STATUS	A	POS	CAP P/N

THIS DRAWING IS A CONTROLLED DOCUMENT.		DWN HAWKING HE 10DEC04	<b>tyco</b> Tyco Electronics AMP K.K.	
		CHK STEVEN YAO 10DEC04	<b>Electronics</b> Kawasaki.Japan	
		APVD I. ENOMOTO 10DEC04	NAME	
DIMENSIONS: MM		PRODUCT SPEC 108-60047	EMBOSS ASSY	
TOLERANCES UNLESS OTHERWISE SPECIFIED:		APPLICATION SPEC 114-5255	FH 0.6BTB CONNECTOR	
0 PLC ± 0.2		WEIGHT	SIZE A3	RESTRICTED TO
1 PLC ± 0.2			CAGE CODE 00779	
2 PLC ± 0.2			DRAWING NO C-6612008	
3 PLC ± 0.2				
4 PLC ± 0.2				
ANGLES ± 3'				
MATERIAL			SCALE 4:1	SHEET 2 OF 4
FINISH				REV A
		CUSTOMER DRAWING		

THIS DRAWING IS UNPUBLISHED. RELEASED FOR PUBLICATION JUN , 1996.  
 © COPYRIGHT 1996 BY TYCO ELECTRONICS CORPORATION. ALL RIGHTS RESERVED.

LOC	DIST	REVISIONS			
P	LTR	DESCRIPTION	DATE	DWN	APVD
		SEE SHEET 1	-	-	-



1 CONNECTORS DIMENSION AND RECOMMENDED P.C. BOARD LAYOUT : SEE CONNECTOR DRAWING

**OBSOLETE**

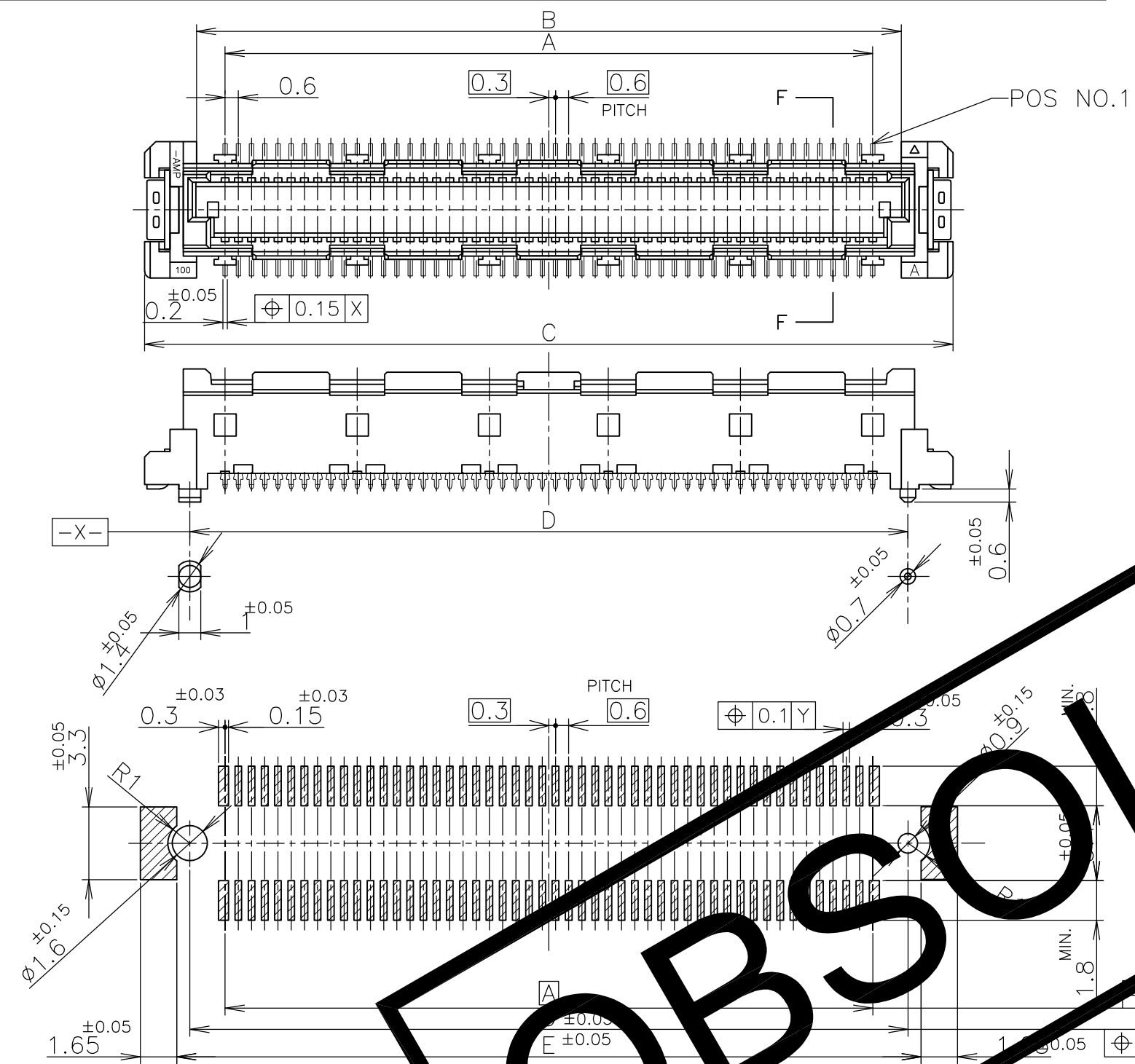
LEAD FREE

NOT AVAILABLE		160	
NOT AVAILABLE		140	
NOT AVAILABLE		120	
NOT AVAILABLE		100	
NOT AVAILABLE		90	
TOOLING STATUS	A	POS	CAP P/N

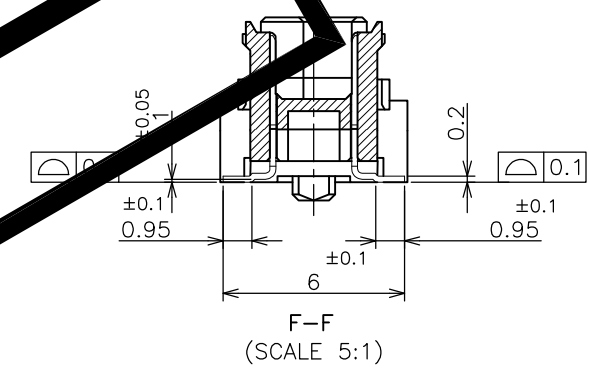
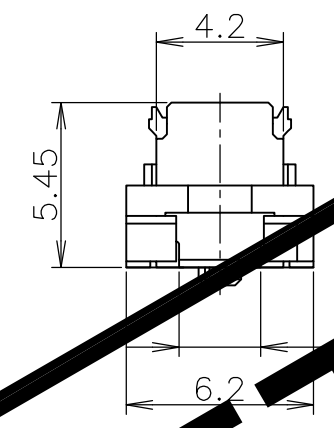
THIS DRAWING IS A CONTROLLED DOCUMENT.		DWN HAWKING HE 10DEC04	Tyco Electronics AMP K.K. Kawasaki, Japan	
DIMENSIONS: MM		CHK STEVEN YAO 10DEC04		
TOLERANCES UNLESS OTHERWISE SPECIFIED:		APVD I.ENOMOTO 10DEC04	NAME	
0 PLC ± 0.2		PRODUCT SPEC	EMBOSS ASSY	
1 PLC ± 0.2		108-60047	FH 0.6BTB CONNECTOR	
2 PLC ± 0.2		APPLICATION SPEC	PLUG 6H STD TYPE WITH 1ROW CAP	
3 PLC ± 0.2		114-5255	SIZE	RESTRICTED TO
4 PLC ± 0.2		WEIGHT	A3	
ANGLES ± 3'		CUSTOMER DRAWING	CAGE CODE	DRAWING NO
FINISH		SCALE 4:1	00779	6612008
		SHEET 3 OF 4	REV A	

THIS DRAWING IS UNPUBLISHED. RELEASED FOR PUBLICATION JUN ,1996.  
 © COPYRIGHT 1996 BY TYCO ELECTRONICS CORPORATION. ALL RIGHTS RESERVED.

LOC	DIST	REVISIONS					
J	/	P	LTR	DESCRIPTION	DATE	DWN	APVD
			-	SEE SHEET 1	-	-	-



- ① MATERIAL : HOUSING : HIGH TEMP THERMO PLASTIC UL94V-0  
CONTACT : COPPER ALLOY
- ② FINISH : UNDER PL Ni 0.0013mm MIN ALL OVER.  
CONTACT AREA 0.0002 MIN Au PL.  
SOLDERING AREA 0.001 MIN TIN PL.
- ③ SEE PACKING ASSY DWG AS FINAL ASSY PART NUMBER.



RECOMMENDED P.C. BOARD LAYOUT (VIEW FROM CONN. MOUNTING SIDE)

NOT AVAILABLE	51.8	50.6	54.7	57.4	160	
AVAILABLE	45.8	44.6	48.7	44	140	
NOT AVAILABLE	39.8	38.6	42.7	38	120	
AVAILABLE	33.8	32.6	36.7	32	100	
NOT AVAILABLE	30.8	29.6	33.7	29	90	
NOT AVAILABLE	27.8	26.6	30.7	26	80	
AVAILABLE	24.8	23.6	27.7	23	70	
NOT AVAILABLE	21.8	20.6	24.7	20	60	
AVAILABLE	18.8	17.6	21.7	17	50	
NOT AVAILABLE	15.8	14.6	18.7	14	40	
NOT AVAILABLE	12.8	11.6	15.7	11	30	
TOOLING STATUS	E	D	C	B	A	POS

OBSOLETE

LEAD FREE

THIS DRAWING IS A CONTROLLED DOCUMENT.		DWN HAWKING HE 10DEC04	Tyco Electronics AMP K.K. Kawasaki, Japan			
DIMENSIONS: MM		CHK STEVEN YAO 10DEC04				
TOLERANCES UNLESS OTHERWISE SPECIFIED:		APVD I.ENOMOTO 10DEC04	NAME			
0 PLC ± 0.3 1 PLC ± 0.3 2 PLC ± 0.3 3 PLC ± 0.3 4 PLC ANGLES ± 0.3 FINISH ± 3'		PRODUCT SPEC 108-60047	EMBOSS ASSY FH 0.6BTB CONNECTOR PLUG 6H STD TYPE WITH 1ROW CAP			
MATERIAL		APPLICATION SPEC 114-5255	SIZE A3	CAGE CODE 00779	DRAWING NO C-6612008	RESTRICTED TO
①		CUSTOMER DRAWING		SCALE 4:1	SHEET 4 OF 4	REV A