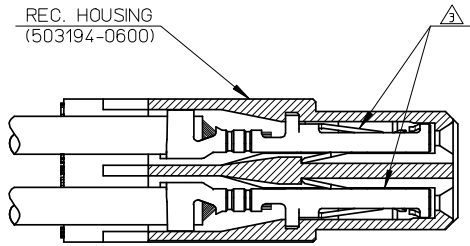


注記 NOTES:

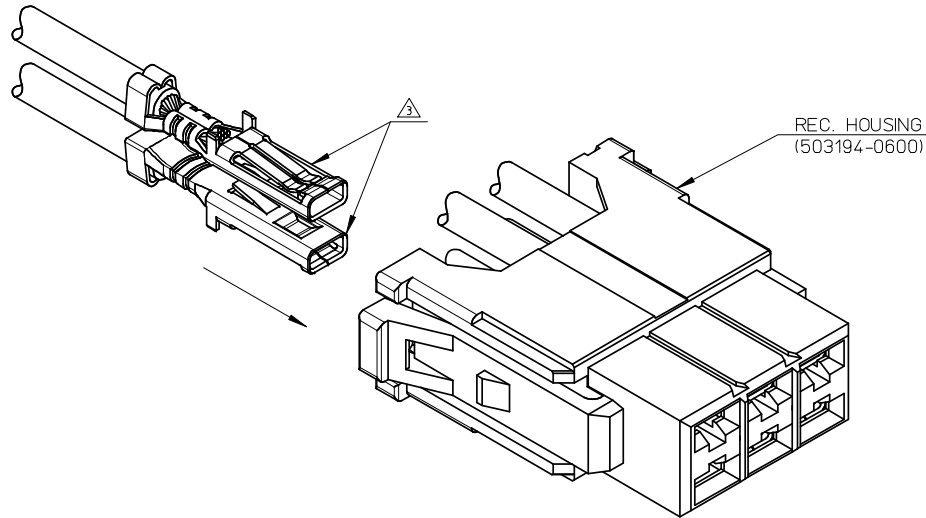
1. 材質 MATERIAL  
ナイロン (PA), ガラス充填, UL94V-0, 色: 自然色 (白)  
NYLON (PA), GLASS FILLED, UL94V-0, COLOR: NATURAL (WHITE)
2. 嵌合相手: 503193-0600  
MATE WITH: 503193-0600
3. 適合端子: 503196シリーズ  
APPLICABLE TERMINAL: 503196 SERIES
4. 適合シェル: 58687-00\*0 (プラグ シェル アッセンブリ)  
58691-00\*0 (リセプタクル シェル アッセンブリ)  
APPLICABLE SHELL: 58687-00\*0 (PLUG SHELL ASSEMBLY)  
58691-00\*0 (REC. SHELL ASSEMBLY)
5. 適用端子抜き工具: 578056-6000  
APPLICABLE TERMINAL EXTRACTION TOOL: 578056-6000
6. ハーネス加工時及び輸送時においては、コネクタ間での絡みや衝撃、  
梱包時の積み重ねによる負荷がかからないように御注意願います。  
WHEN TAKING A HARNESS CONNECTOR SHALL BE USED FREE  
FORM DIRECT EXCESSIVE FORCE AND TWISTED.
7. 製品の取扱いについては、コネクタ取扱い説明書 (AS-58696-001) を参照願います。  
PLEASE REFER TO USER'S MANUAL (AS-58696-001) FOR ROBOT CONN.
8. ELV及びRoHS適合品  
ELV And RoHS COMPLIANT

503194-0600	503194-06**	6
PLASTIC BAG	MODEL No.	CIRCUIT 極数
オーダー番号 ORDER No.		

RELEASED EC NO.: J2008-3396 DRWN: SAKI IYAMA 2008/03/26 CHKD: S. SATO 2008/03/26 APPR: S. ICHIKAWA 2008/03/26	GENERAL TOLERANCES (UNLESS SPECIFIED)		DIMENSION STYLE	SCALE	DESIGN UNITS	THIRD ANGLE PROJECTION
			MM ONLY	//	METRIC	
	10 UNDER	±0.2	DRAWN BY	DATE	TITLE	
	10 OVER 30 UNDER	±0.25	S. AKIYAMA	08/02/07	ROBOT CONN. 6P REC. HOUSING	
	30 OVER	±0.3	CHECKED BY	DATE		
		S. SATO	08/02/07			
		APPROVED BY	DATE			
		S. ICHIKAWA	08/02/07			
		ANGULAR ±3 °	MATERIAL NO.	DOCUMENT NO.		
		DRAFT WHERE APPLICABLE MUST REMAIN WITHIN DIMENSIONS	SEE CHART	SD-503194-001		
			SIZE	SHEET NO.		
			A3	1 OF 2		



端子装着状態図  
CRIMP TERMINAL ASSEMBLY



端子挿入方向  
DIRECTION OF TERMINAL INSERTION

RELEASED EC NO: J2008-3396 DRWNSAKIYAMA 2008/03/25 CHKD.S.SATO 2008/03/26 APPR.S.ICHIKAWA 2008/03/26	GENERAL TOLERANCES (UNLESS SPECIFIED)		DIMENSION STYLE MM ONLY		SCALE --#	DESIGN UNITS METRIC	THIRD ANGLE PROJECTION
	10 UNDER	±0.2	DRAWN BY S.AKIYAMA	DATE 08/02/07	TITLE ROBOT CONN. 6P REC. HOUSING		
	10 OVER 30 UNDER	±0.25	CHECKED BY S.SATO	DATE 08/02/07			
	30 OVER	±0.3	APPROVED BY S.ICHIKAWA	DATE 08/02/07	MOLEX INCORPORATED		
ANGULAR ±3 °		MATERIAL NO.	DOCUMENT NO.	SHEET NO.			
DRAFT WHERE APPLICABLE MUST REMAIN WITHIN DIMENSIONS		SEE CHART		SD-503194-001		2 OF 2	
		SIZE A3		THIS DRAWING CONTAINS INFORMATION THAT IS PROPRIETARY TO MOLEX INCORPORATED AND SHOULD NOT BE USED WITHOUT WRITTEN PERMISSION			