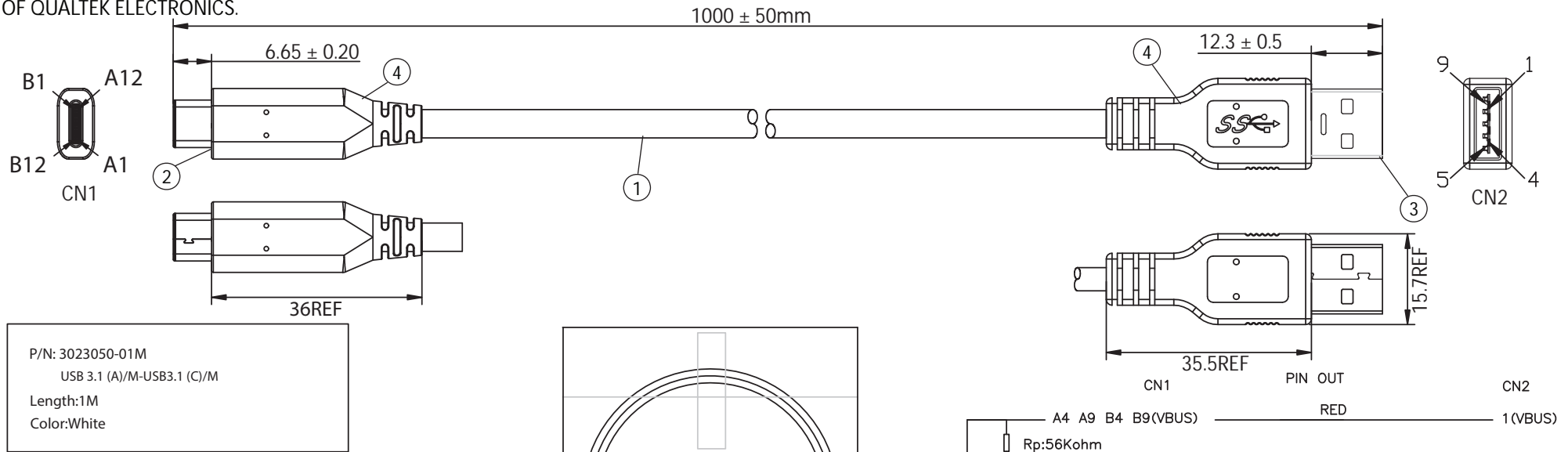


THESE DRAWINGS ARE THE PROPERTY OF QUALTEK ELECTRONICS AND NOT TO BE REPRODUCED FOR OR COMMUNICATED TO A THIRD PARTY WITHOUT THE EXPRESS WRITTEN PERMISSION OF AN OFFICER OF QUALTEK ELECTRONICS.

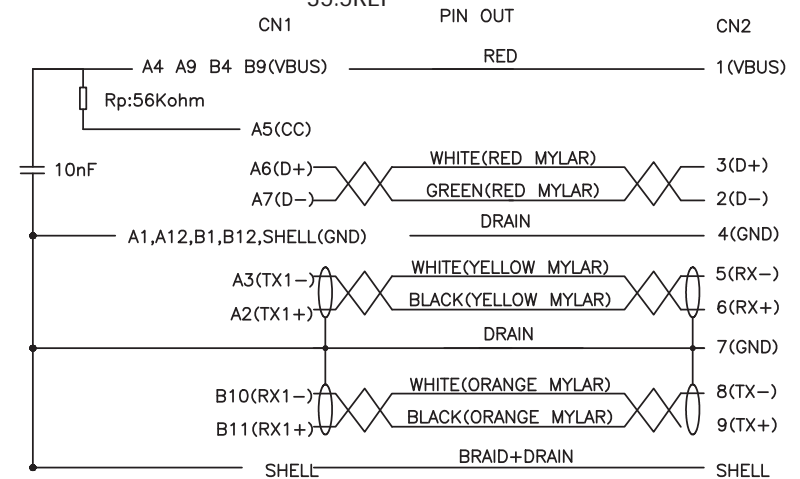
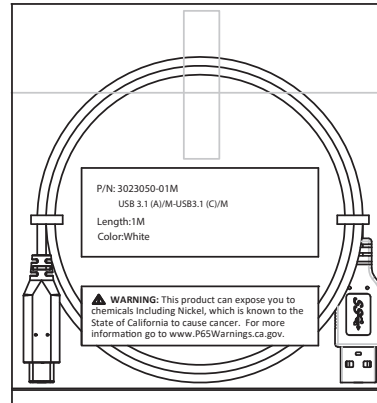
REVISION			
REV.	DESCRIPTION	DATE	APPROVED



P/N: 3023050-01M
 USB 3.1 (A)/M-USB3.1 (C)/M
 Length:1M
 Color:White

NOTES:

- CABLE:**
 (29AWGx1PR+EAM)*2+(32AWGx1PR+AM)
 +24AWGx1C+T2EB 85%
 PVC OUTER JACKET: WHITE, OD: 5.0 ± 0.2mm
- CONNECTOR: USB 3.1 GEN 1 TYPE C MALE**
 INSULATOR: BLACK PBT
 PIN 30u" GOLD PLATED
 NICKEL PLATED SHELL
- CONNECTOR: USB 3.1 GEN 1 TYPE A MALE**
 INSULATOR: BLUE PBT
 PIN 30u" GOLD PLATED
 NICKEL PLATED SHELL
- PVC MOLDED: COLOR 45P WHITE**
- ELECTRICAL TEST:**
 <1>.100% OPEN SHORT & MISS WIRE TEST
 <2>.HI-POT: 50V AC/0.01 SEC 50V DC/0.01 SEC
 <3>.INSULATION RESISTANCE: 10M OHM (MIN)
 <4>.CONDUCTIVE RESISTANCE: 2 OHM (MAX)
 <5>.RESISTANCE DETECTION: Rp 56Kohm ± 10% BETWEEN A4 AND A5
 <5>.CAPACITANCE DETECTION: 10nF ± 20% BETWEEN A1 AND A4
- DATA TRANSFER RATE UP TO 5Gbps (NOMINAL)**
- CURRENT RATING UP TO 3A (NOMINAL)**
- VOLTAGE RATING UP TO 20V (NOMINAL)**
- PACKING: 1PC/POLYBAG W/ LABEL**



CONTROLLED

Dim range (mm)	Tolerance +/- (mm)	Qualtek Electronics Corp. WCI DIVISION			
		Part Number: 3023050-01M		RoHS Compliant	
0-1	0.15	Description: USB 3.1(A)/M - USB 3.1 (C)/M			
1-6	0.20				
6-18	0.30				
18-50	0.50				
50-120	0.70				
120-250	0.90	UNIT: mm	Drawn / Date	Checked / Date	Approved / Date
250-500	1.20		R. Nuti 10-29-18	10-29-18	LY / 10-29-18