

## Filter terminal block - PSR-FTB/1.5/11.5 - 2904476


Please be informed that the data shown in this PDF Document is generated from our Online Catalog. Please find the complete data in the user's documentation. Our General Terms of Use for Downloads are valid (<http://phoenixcontact.com/download>)



Terminal block for filtering test pulses from safe semiconductor outputs with adjustable filter values (1.5  $\mu$ F/11.5  $\mu$ F), as well as for EMC filtering of 24 V signals up to an amperage of 2 A.



### Key Commercial Data

Packing unit	1 pc
GTIN	 4 046356 831505
GTIN	4046356831505

### Technical data

#### Dimensions

Width	6.2 mm
Height	94 mm
Depth	80 mm

#### Ambient conditions

Ambient temperature (operation)	-25 °C ... 55 °C
Ambient temperature (storage/transport)	-25 °C ... 70 °C

#### Input data

Nominal input voltage $U_N$	24 V DC $\pm$ 20 % (Control voltage $U_{ST}$ right/left)
Typical input current at $U_N$	max. 15 mA
Protective circuit	Surge protection

#### Output data

Nominal output voltage	24 V DC $\pm$ 20 % (Control voltage $U_{ST}$ right/left)
Nominal output voltage range	19.2 V DC ... 28.8 V DC (Control voltage $U_{ST}$ right/left)
Limiting continuous current	max. 2 A (in total for OUT1 + OUT2)

#### Connection data, control circuit

Connection name	Control circuits
-----------------	------------------

## Filter terminal block - PSR-FTB/1.5/11.5 - 2904476

### Technical data

#### Connection data, control circuit

Connection method	Push-in connection
Stripping length	8 mm
Conductor cross section solid	0.14 mm <sup>2</sup> ... 2.5 mm <sup>2</sup>
Conductor cross section flexible	0.14 mm <sup>2</sup> ... 2.5 mm <sup>2</sup>
Conductor cross section AWG	26 ... 14

#### Connection data load circuit

Connection name	Load circuit
Connection method	Push-in connection
Stripping length	8 mm
Conductor cross section solid	0.14 mm <sup>2</sup> ... 2.5 mm <sup>2</sup>
Conductor cross section flexible	0.14 mm <sup>2</sup> ... 2.5 mm <sup>2</sup>
Conductor cross section AWG	26 ... 14

#### General

Mounting position	Vertical (horizontal DIN rail)
Assembly instructions	In rows with zero spacing
Operating mode	100% operating factor

#### Standards and Regulations

Designation	Air clearances and creepage distances between the power circuits
Standards/regulations	EN 61131
Rated insulation voltage	50 V
Rated surge voltage	1.5 kV
Insulation	Basic insulation
Degree of pollution	2
Overvoltage category	II

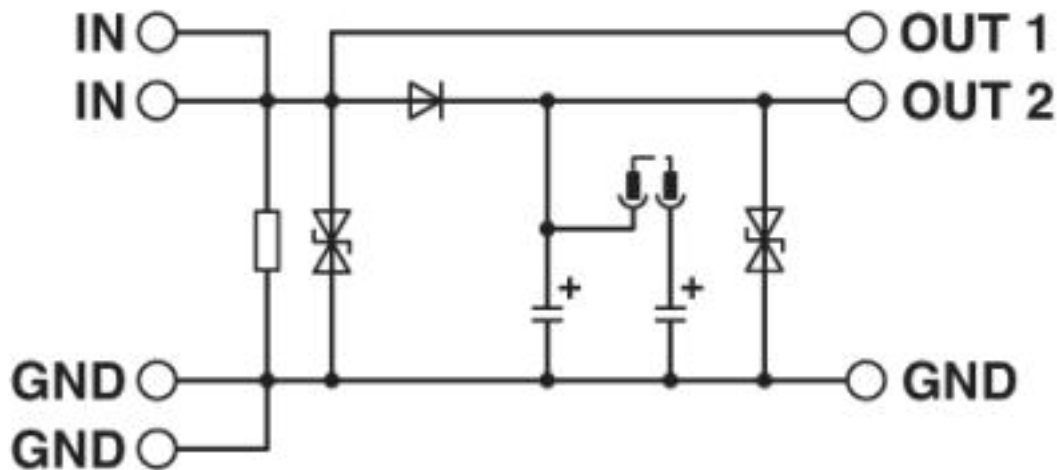
#### Environmental Product Compliance

China RoHS	Environmentally Friendly Use Period = 50
	For details about hazardous substances go to tab "Downloads", Category "Manufacturer's declaration"

### Drawings

# Filter terminal block - PSR-FTB/1.5/11.5 - 2904476

Circuit diagram



Approvals

Approvals

---

Approvals

EAC

---

Ex Approvals

---

Approval details

EAC		RU C- DE.A*30.B.01082
-----	--	--------------------------

Phoenix Contact 2019 © - all rights reserved  
<http://www.phoenixcontact.com>

PHOENIX CONTACT GmbH & Co. KG  
Flachsmarktstr. 8  
32825 Blomberg  
Germany  
Tel. +49 5235 300  
Fax +49 5235 3 41200  
<http://www.phoenixcontact.com>