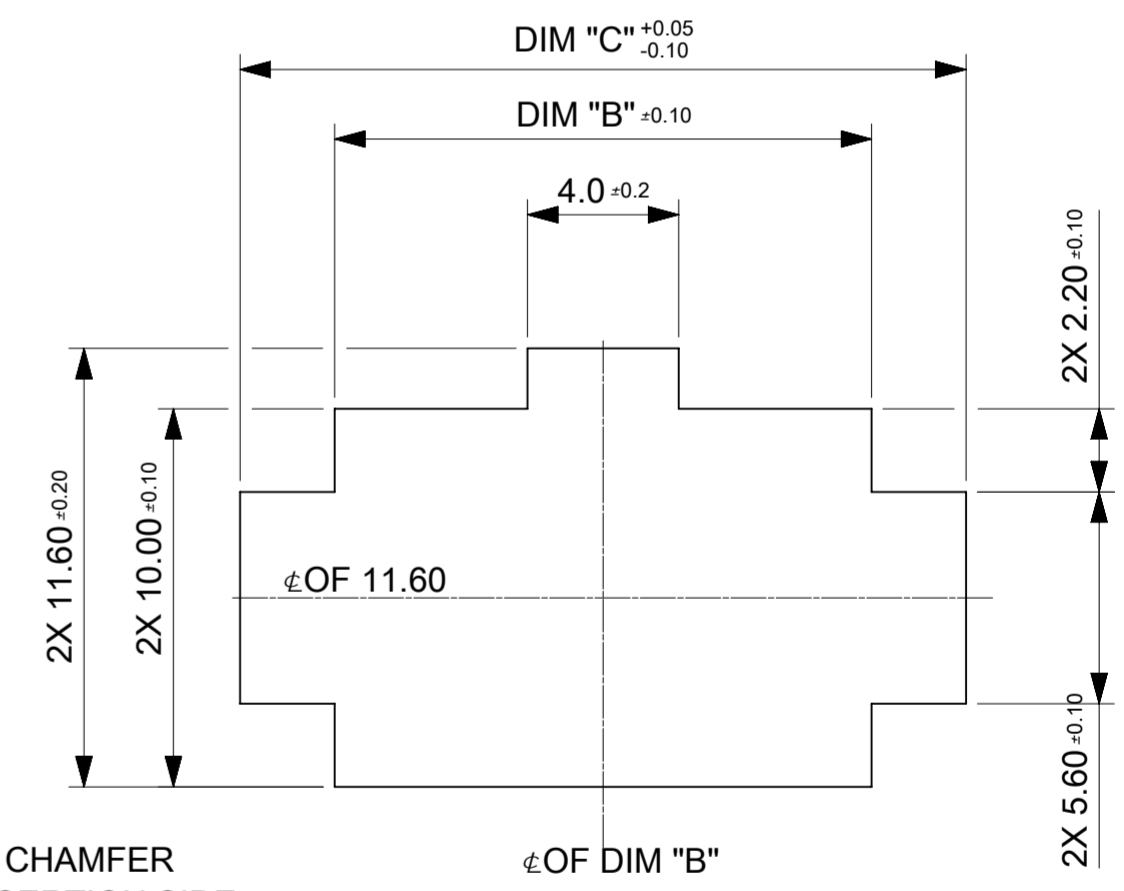
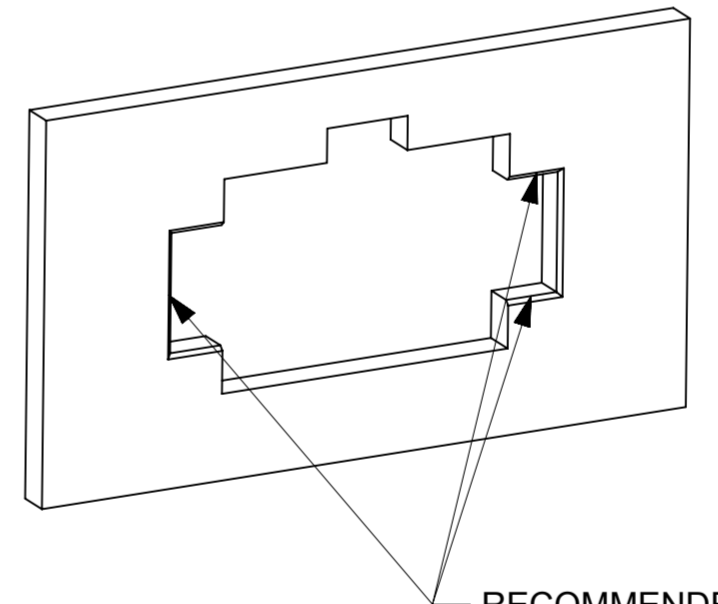
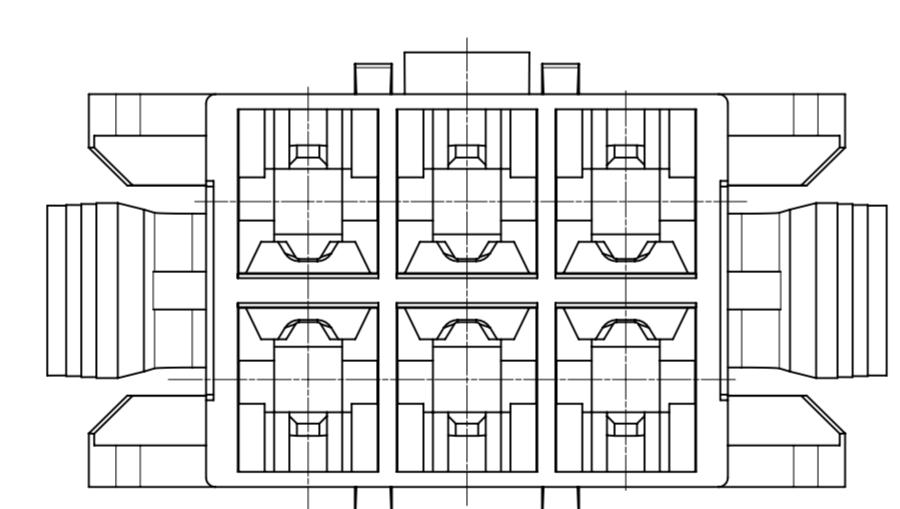
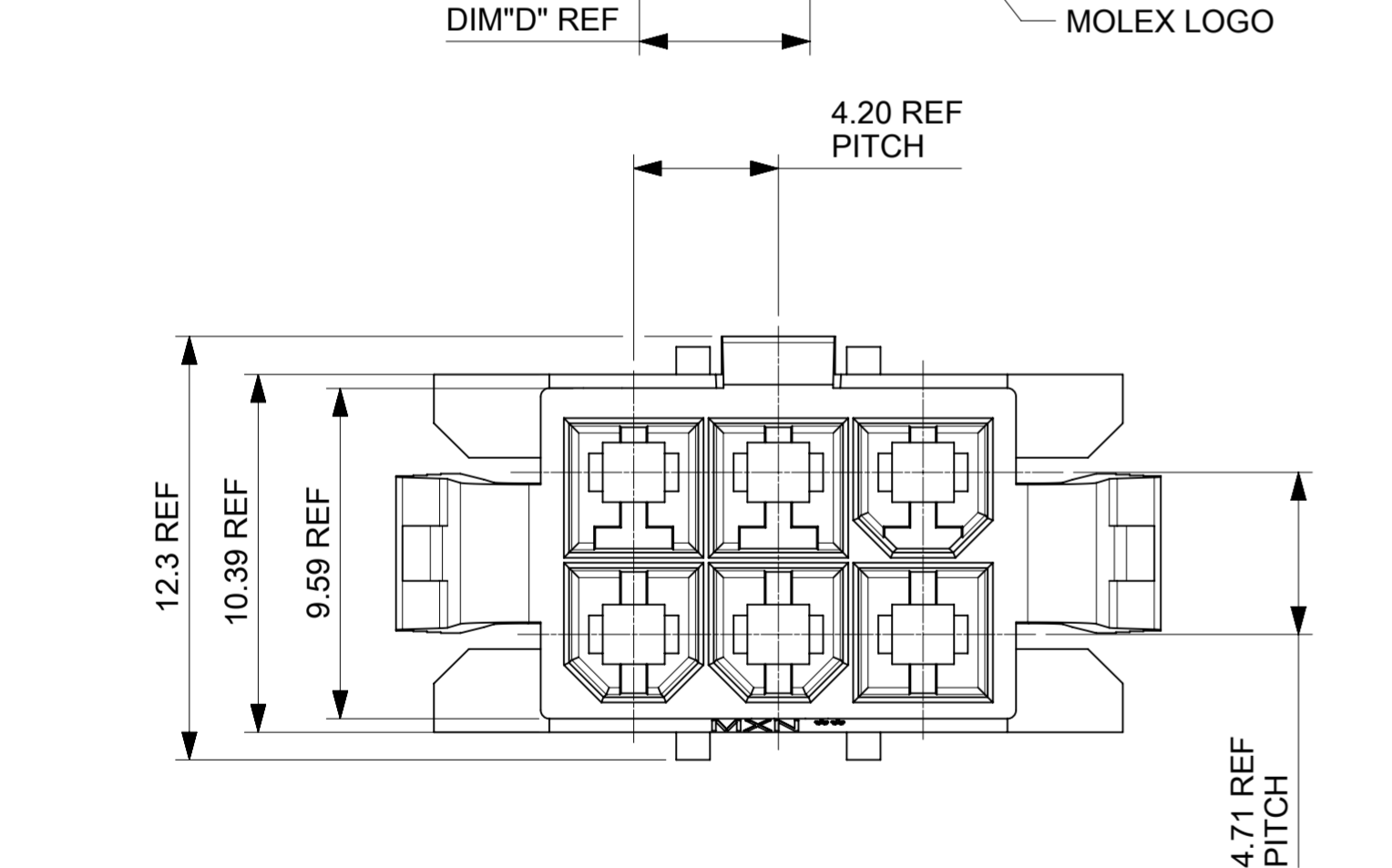
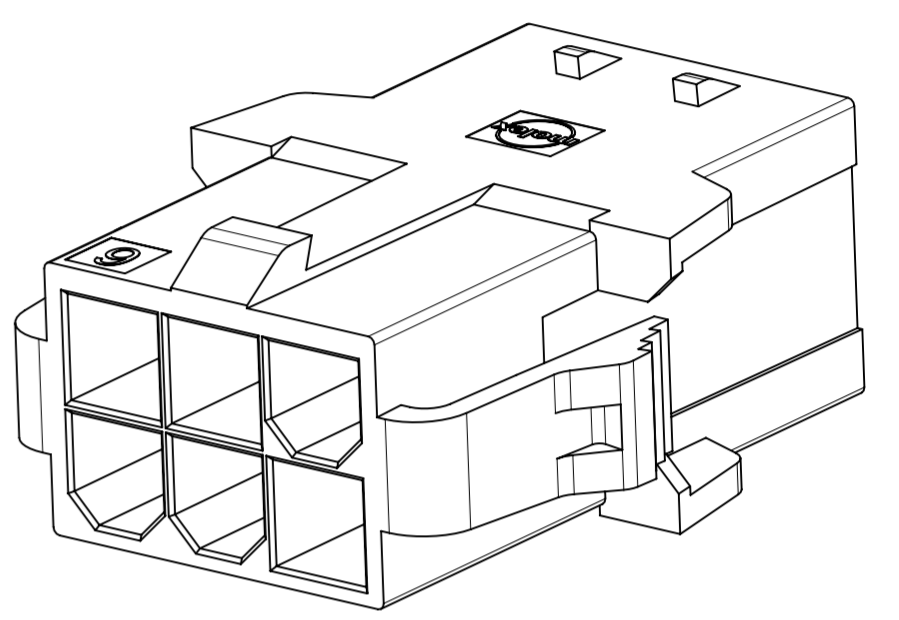


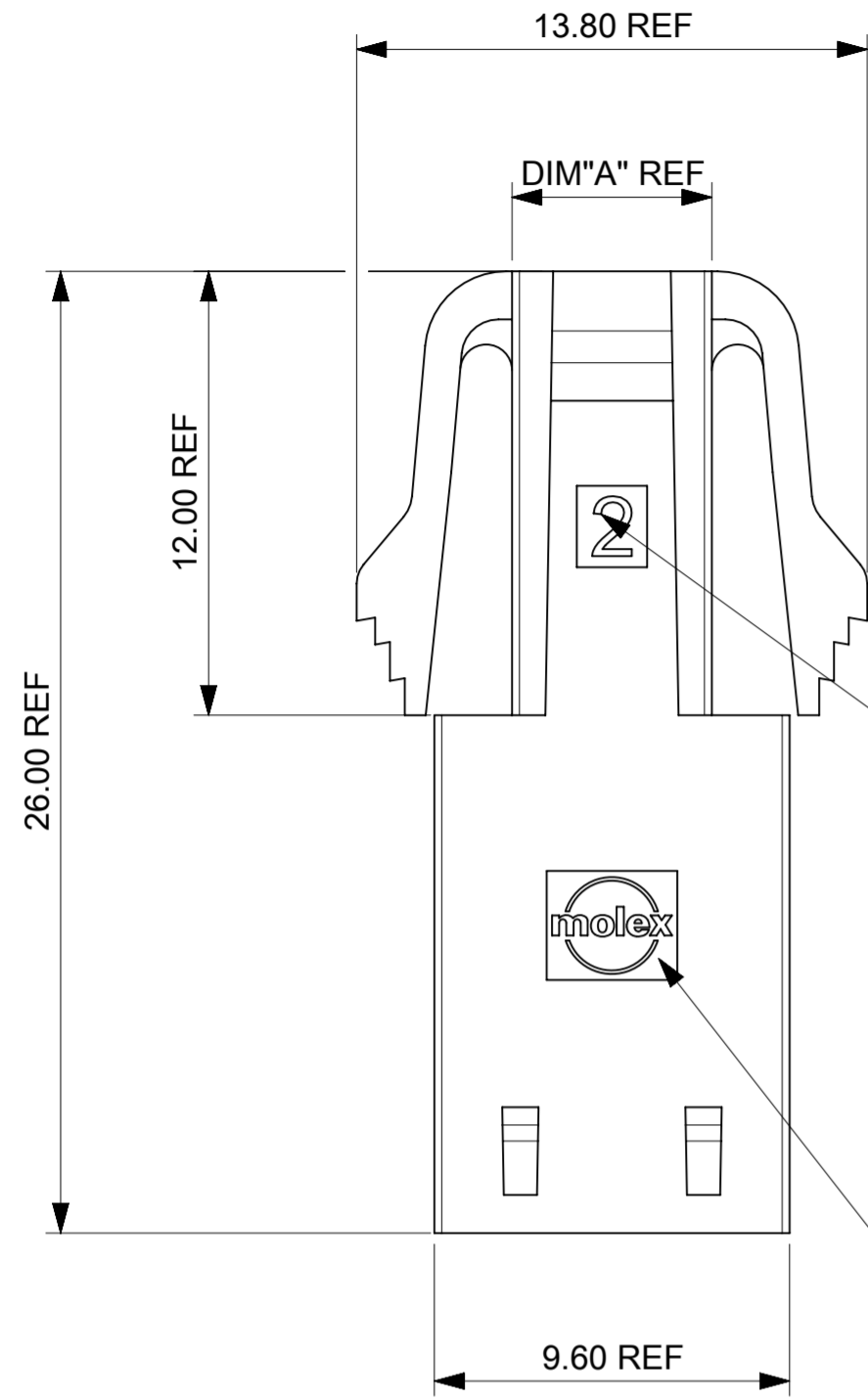
PLUG P/N	CKT	DIM "A"	DIM "B"	DIM "C"	DIM "D"
1727673002	2	5.40	5.80	10.80	4.95
1727673004	4	9.60	10.00	15.00	4.95
1727673006	6	13.80	14.20	19.20	4.95
1727673008	8	18.00	18.40	23.40	4.95
1727673010	10	22.20	22.60	27.60	12.95
1727673012	12	26.40	26.80	31.80	12.95
1727673014	14	30.60	31.00	36.00	12.95
1727673016	16	34.80	35.20	40.20	12.95
1727673018	18	39.00	39.40	44.40	20.95



- NOTES:
- MATERIAL: NYLON, UL 94V-0 AND GLOW WIRE CAPABLE PER IEC60335-1; COLOR: BLACK
 - FINISH: NONE
 - PRODUCT SPECIFICATION: 2131370000-PS/2029880002-PS
APPLICATION SPECIFICATION: 2131370000-AS
 - PACKAGING SPECIFICATION: 172762-0001-PK
REFER TO AS-45499-001 FOR MOISTURIZING NYLON CONNECTOR PARTS.
 - THIS PART TO BE USED WITH FEMALE TERMINAL SERIES 172765, 203070 AND TPA SERIES 172709-2***.
 - THIS PART MATES WITH SERIES 172708-1***
 - THIS PART CONFORMS TO CLASS 'B' REQUIREMENTS OF COSMETIC SPECIFICATION PS-45499-002.
 - SEE DRAWING 1727090002-SD FOR OTHER TPA INFORMATION.
 - SEE DRAWING 1727080002-SD FOR OTHER RECEPTACLE INFORMATION.
 - SEE DRAWINGS SD-172718-0000 AND 2029880001-PSD FOR OTHER CRIMP TERMINAL INFORMATION.

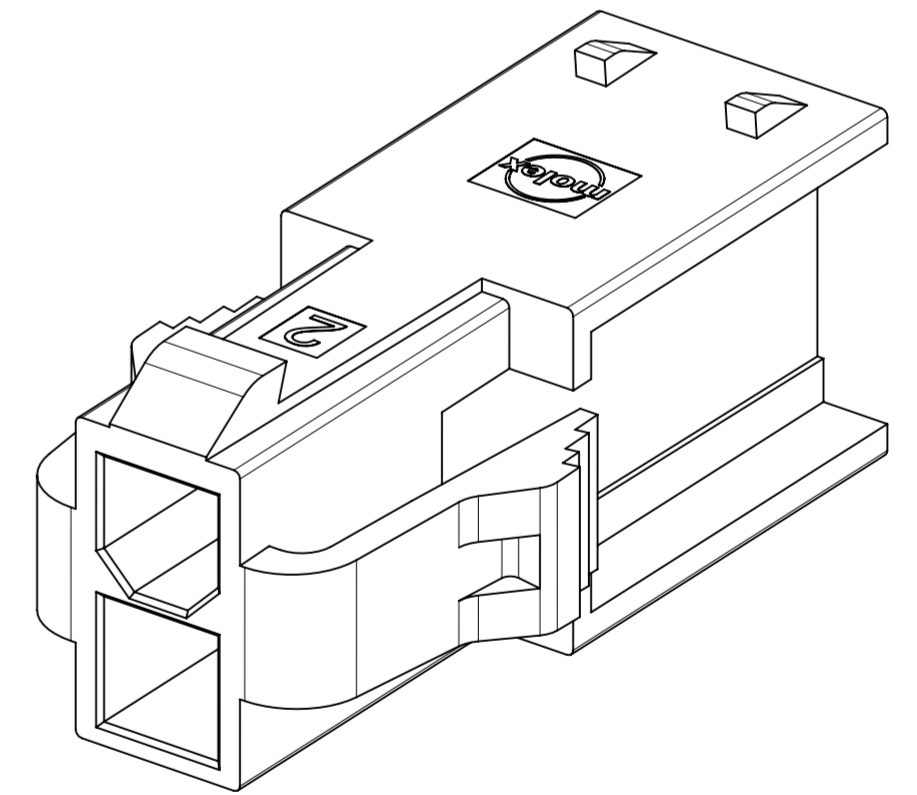
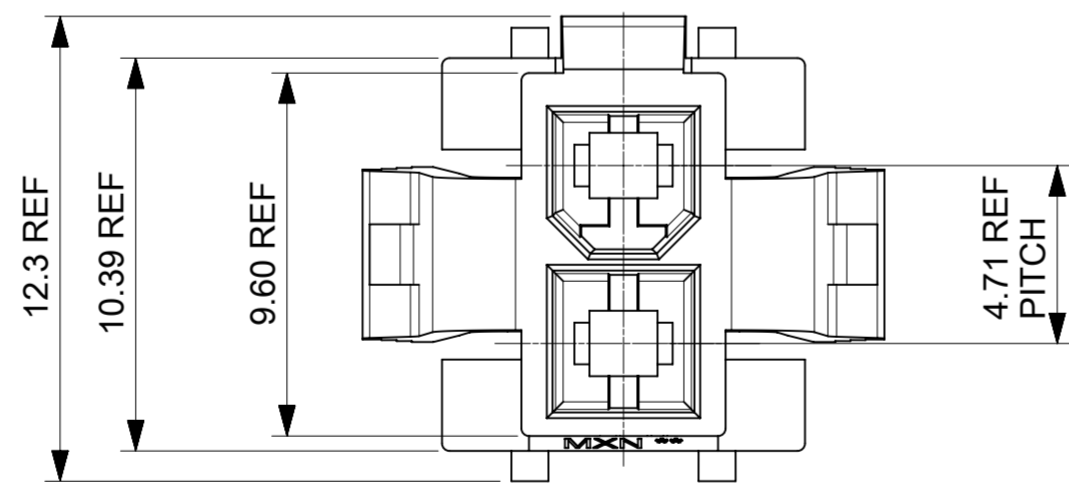
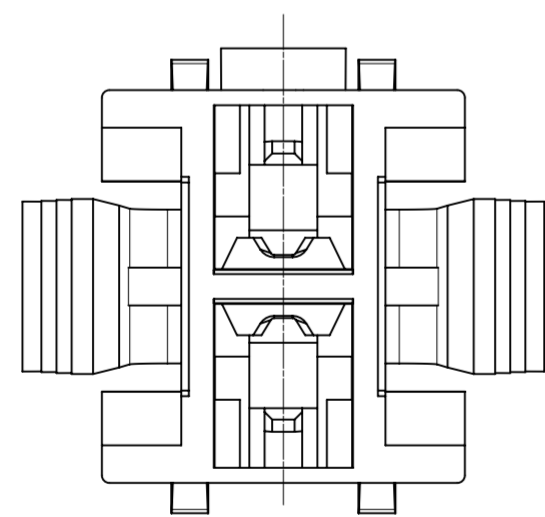
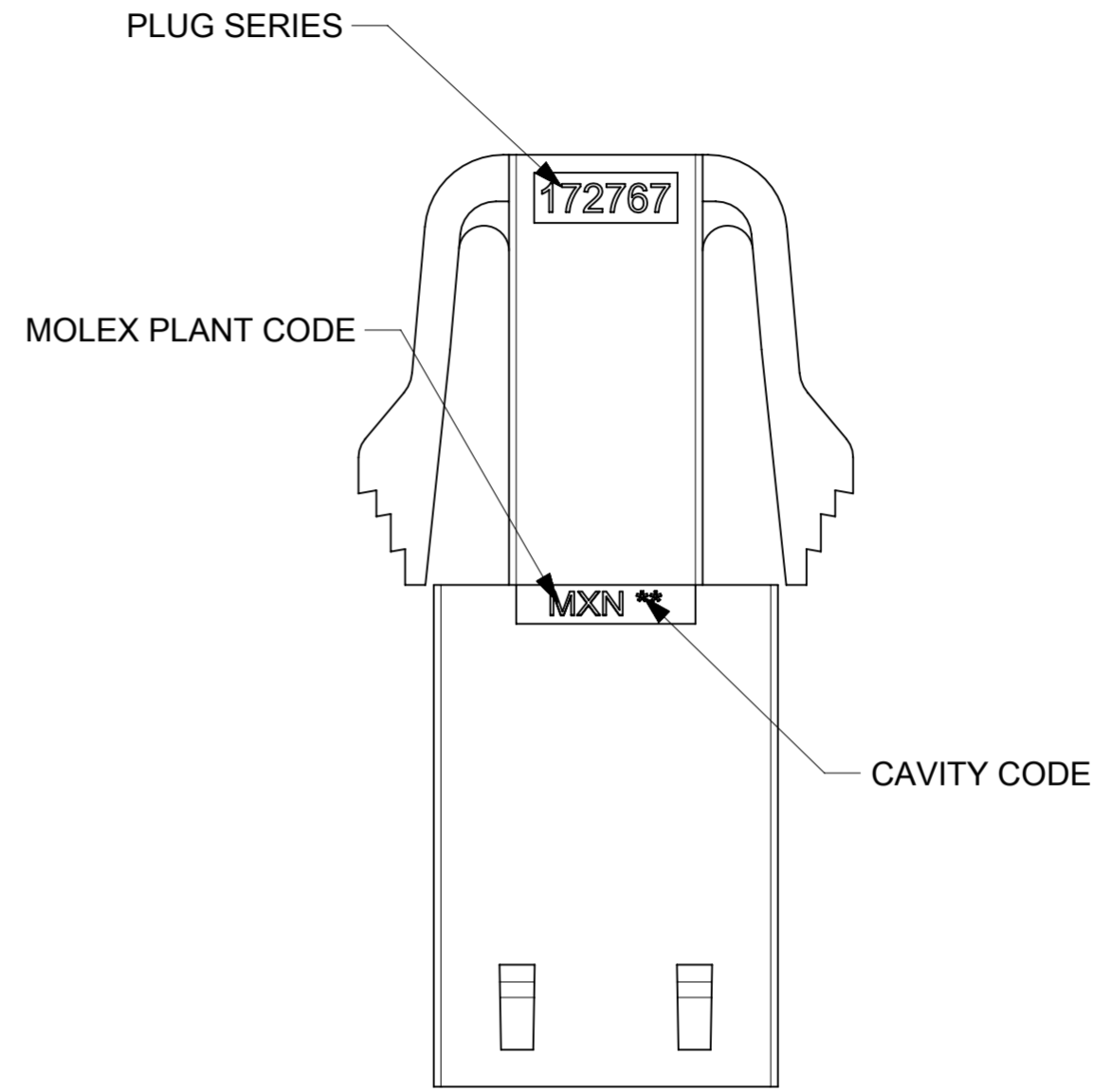
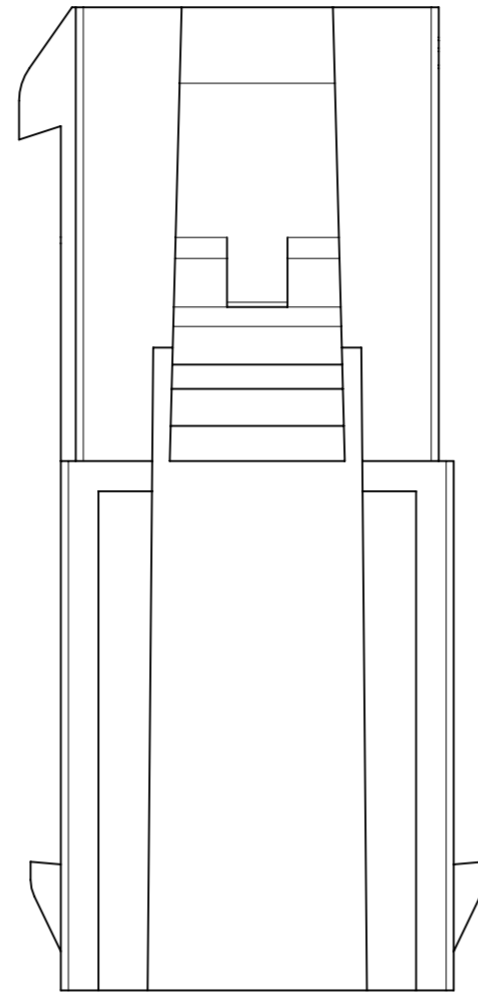
RECOMMENDED PANEL CUT-OUT DIMENSIONS
PANEL THICKNESS 0.80-2.00MM

FUNCTIONAL SYMBOLS	THIS DRAWING CONTAINS INFORMATION THAT IS PROPRIETARY TO MOLEX ELECTRONIC TECHNOLOGIES, LLC AND SHOULD NOT BE USED WITHOUT WRITTEN PERMISSION		CURRENT REV DESC:	
	DIMENSION UNITS	SCALE		
$\nabla_A = 0$	mm	5:1		
$\nabla_C = 0$	GENERAL TOLERANCES (UNLESS SPECIFIED)			
$\nabla_P = 0$	ANGULAR TOL	± °		
DIVISIONAL SYMBOLS	4 PLACES	±	EC NO: 653179	
	3 PLACES	±	DRWN: ALU002	2021/01/15
	2 PLACES	± 0.25	CHK'D: YXZHENG	2021/01/18
	1 PLACE	± 0.36	APPR: YXZHENG	2021/01/18
	0 PLACES	±	INITIAL REVISION:	
	DRAFT WHERE APPLICABLE MUST REMAIN WITHIN DIMENSIONS	THIRD ANGLE PROJECTION	DRAWING	SERIES
			A2-SIZE	172767
DOCUMENT STATUS	P1	RELEASE DATE	2021/01/18	01:45:37
DOCUMENT NUMBER		DOC TYPE	DOC PART	REVISION
1727670002-SD		PSD	000	A5
MATERIAL NUMBER		CUSTOMER		SHEET NUMBER
SEE TABLE		GENERAL MARKET		1 OF 4



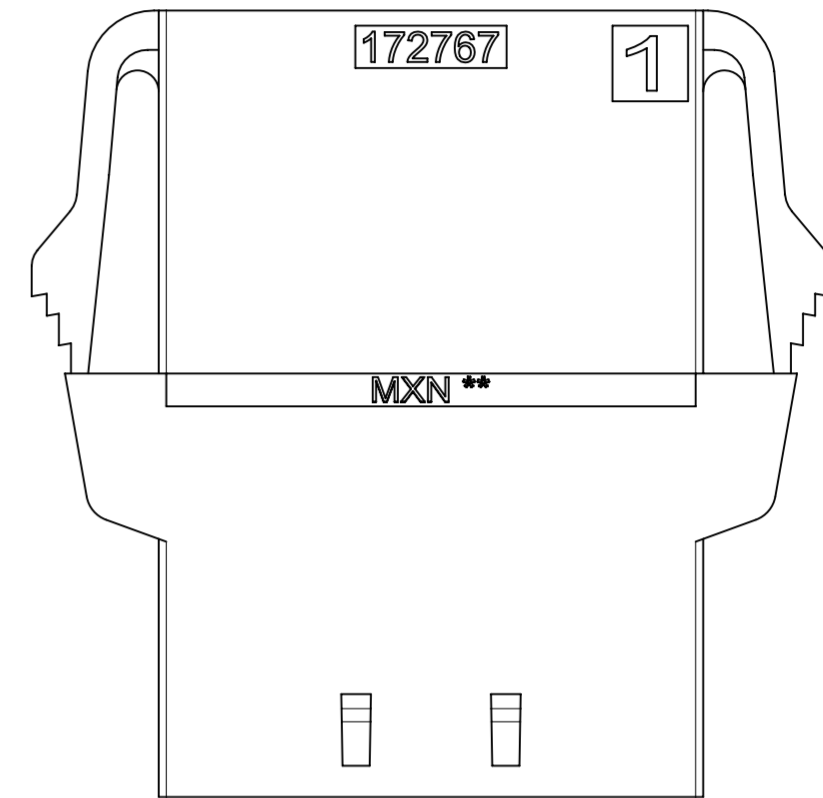
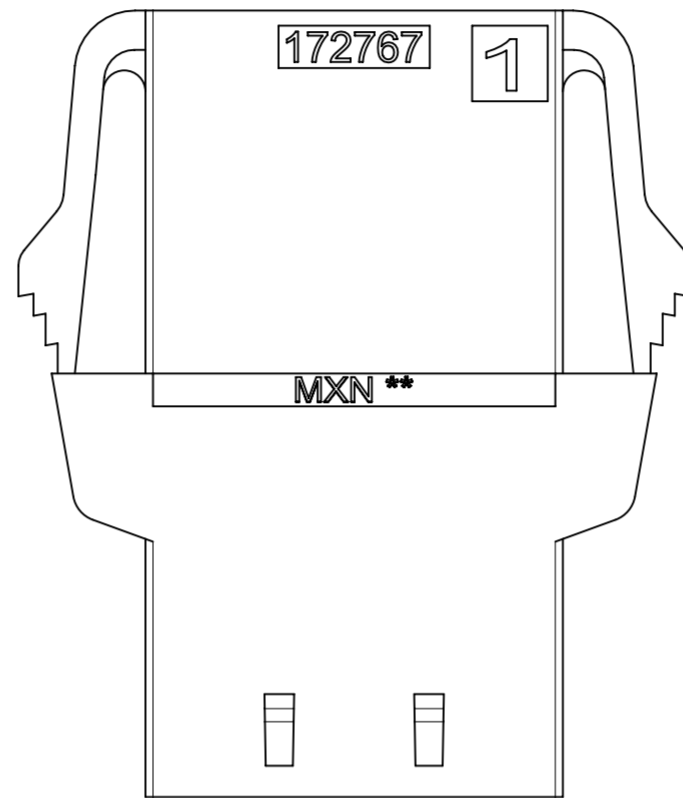
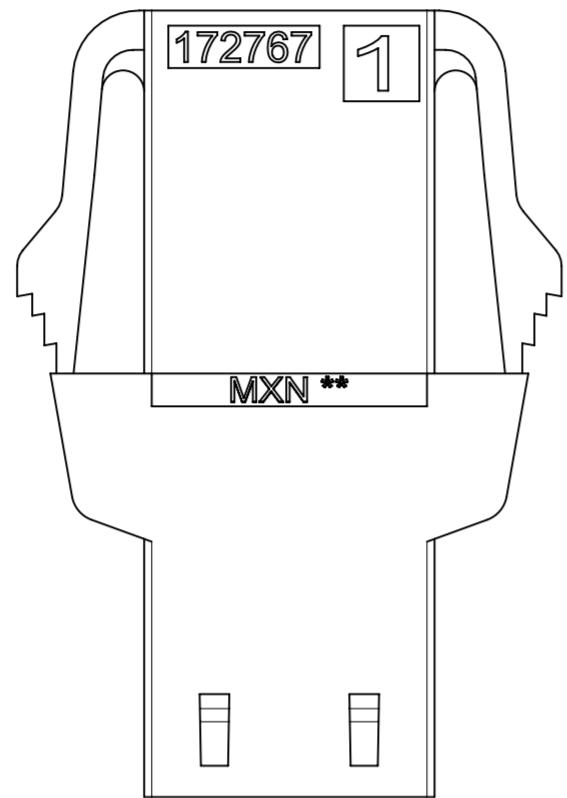
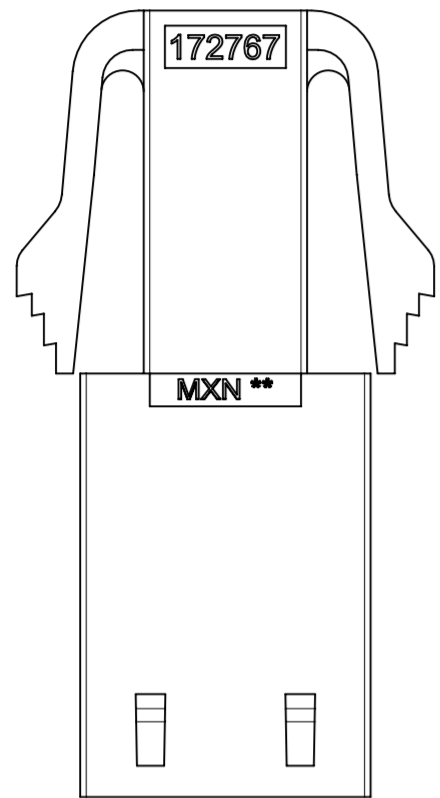
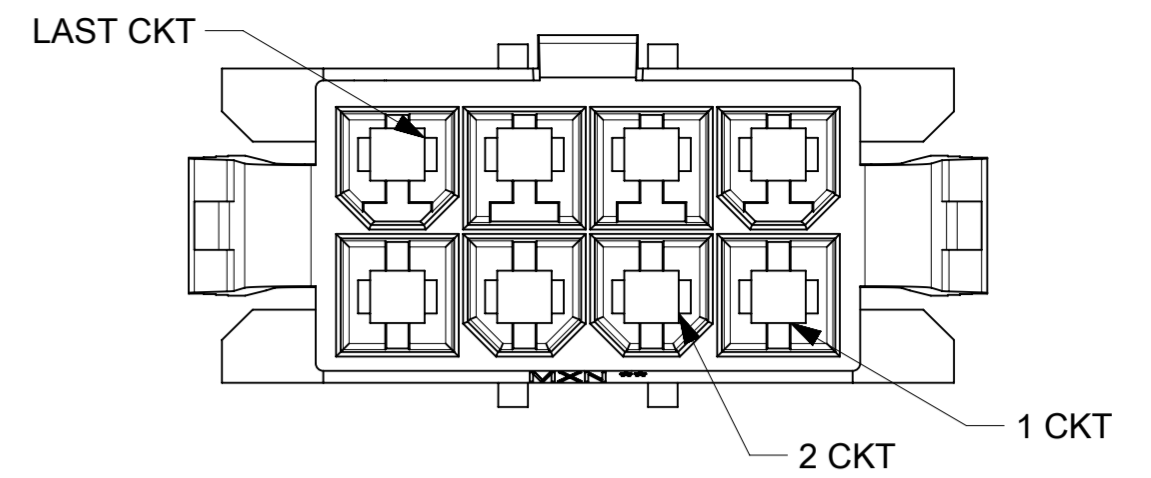
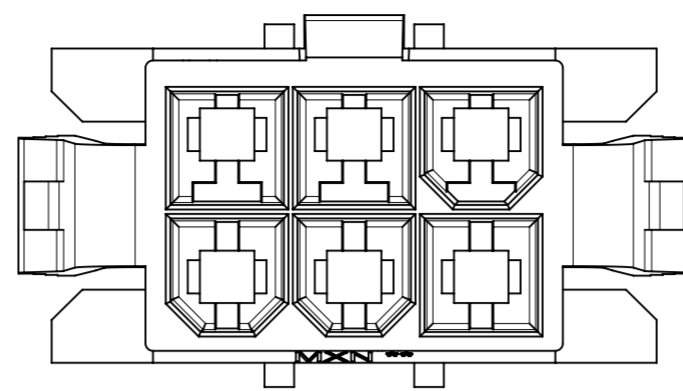
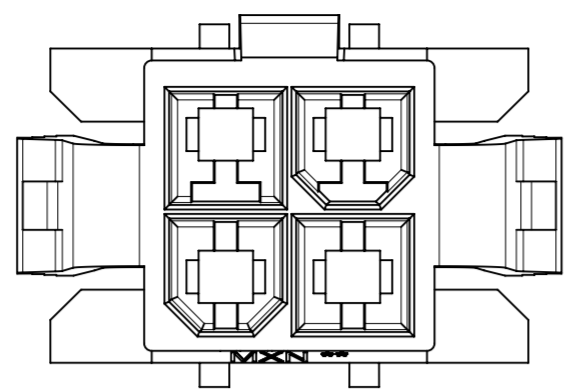
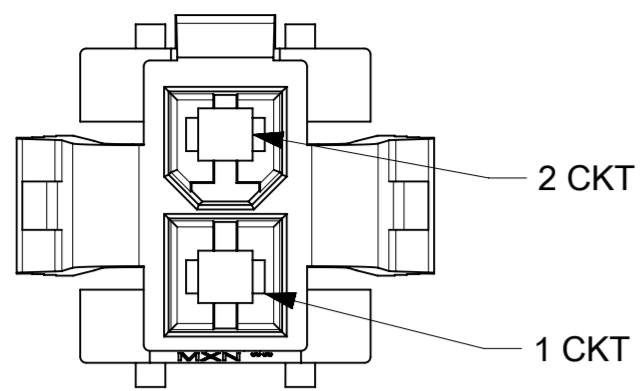
LAST CKT CODE

MOLEX LOGO



FUNCTIONAL SYMBOLS $\nabla_A = 0$ $\nabla_C = 0$ $\nabla_P = 0$ DIVISIONAL SYMBOLS	THIS DRAWING CONTAINS INFORMATION THAT IS PROPRIETARY TO MOLEX ELECTRONIC TECHNOLOGIES, LLC AND SHOULD NOT BE USED WITHOUT WRITTEN PERMISSION												
	DIMENSION UNITS	SCALE	CURRENT REV DESC:										
	mm	5:1	EC NO: 653179										
	GENERAL TOLERANCES (UNLESS SPECIFIED)		DRWN: ALU002 2021/01/15										
ANGULAR TOL ± °		4 PLACES ±		3 PLACES ±		2 PLACES ± 0.25		1 PLACE ± 0.36		0 PLACES ±		PRODUCT CUSTOMER DRAWING	
DRAFT WHERE APPLICABLE MUST REMAIN WITHIN DIMENSIONS		THIRD ANGLE PROJECTION		DRAWING	SERIES	MATERIAL NUMBER		CUSTOMER		DOCUMENT NUMBER	DOC TYPE	DOC PART	REVISION
				A2-SIZE	172767	SEE TABLE		GENERAL MARKET		1727670002-SD	PSD	000	A5

DOCUMENT STATUS	P1	RELEASE DATE	2021/01/18	01:45:37
-----------------	----	--------------	------------	----------

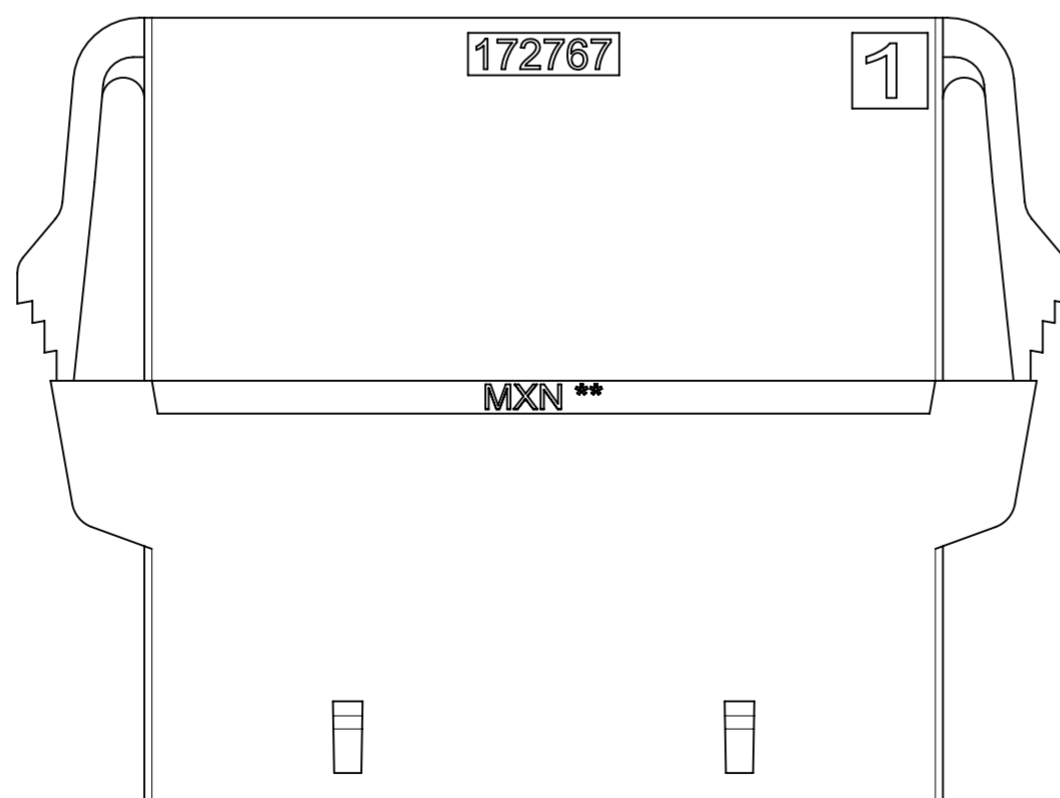
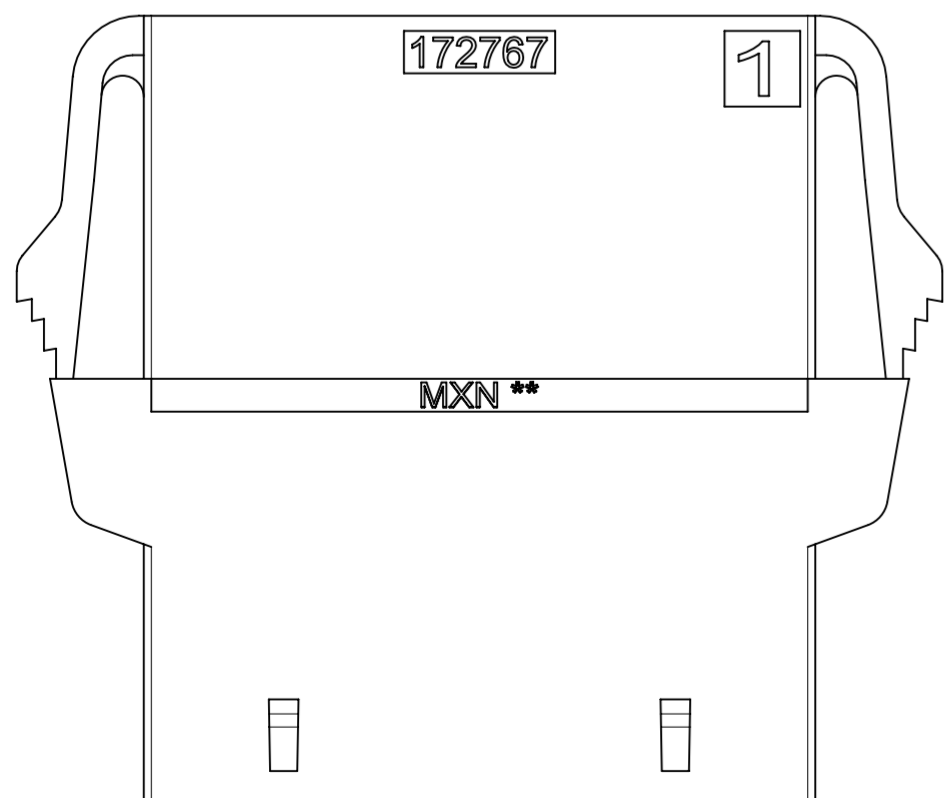
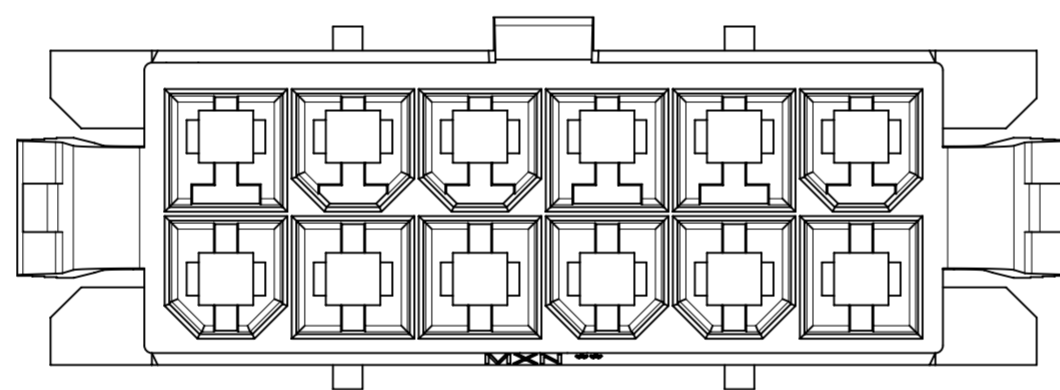
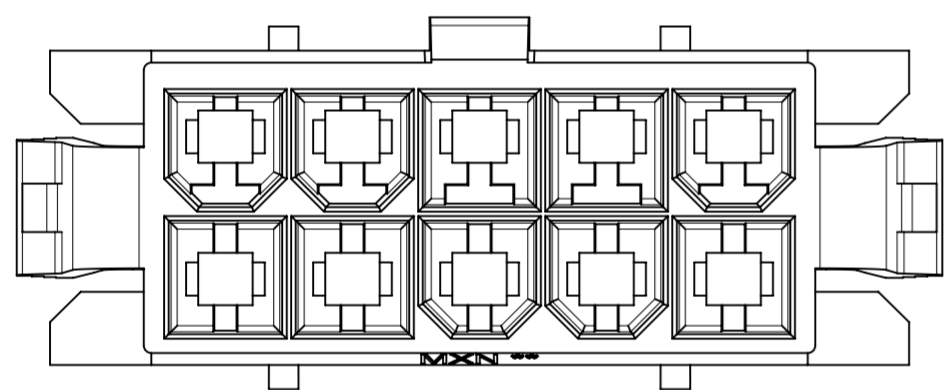


2-CKT

4-CKT

6-CKT

8-CKT



10-CKT

12-CKT

FUNCTIONAL SYMBOLS	THIS DRAWING CONTAINS INFORMATION THAT IS PROPRIETARY TO MOLEX ELECTRONIC TECHNOLOGIES, LLC AND SHOULD NOT BE USED WITHOUT WRITTEN PERMISSION			
	DIMENSION UNITS	SCALE	CURRENT REV DESC:	
$\frac{F}{A} = 0$	mm	5:1	EC NO: 653179	
$\frac{F}{C} = 0$	GENERAL TOLERANCES (UNLESS SPECIFIED)		DRWN: ALU002 2021/01/18	
$\frac{F}{P} = 0$	ANGULAR TOL ± °		CHK'D: YXZHENG 2021/01/18	
DIVISIONAL SYMBOLS	4 PLACES ±	APPR: YXZHENG 2021/01/18		PRODUCT CUSTOMER DRAWING
	3 PLACES ±	INITIAL REVISION:		DOCUMENT NUMBER
	2 PLACES ± 0.25	DRWN: ALU002 2019/09/24		1727670002-SD
	1 PLACE ± 0.36	APPR: YXZHENG 2019/10/11		PSD 000 A5
0 PLACES ±	DRAFT WHERE APPLICABLE MUST REMAIN WITHIN DIMENSIONS	THIRD ANGLE PROJECTION	DRAWING	SERIES
			A2-SIZE	172767
			SEE TABLE	GENERAL MARKET
				SHEET NUMBER
				3 OF 4

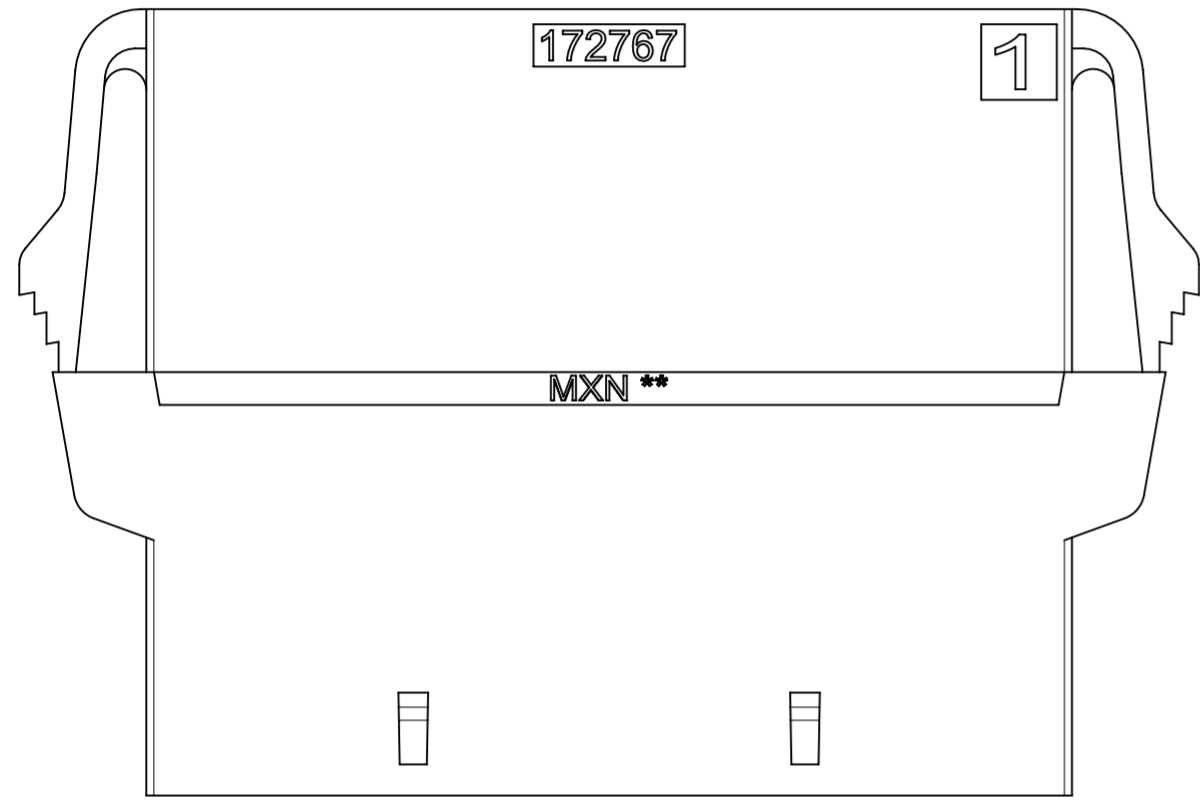
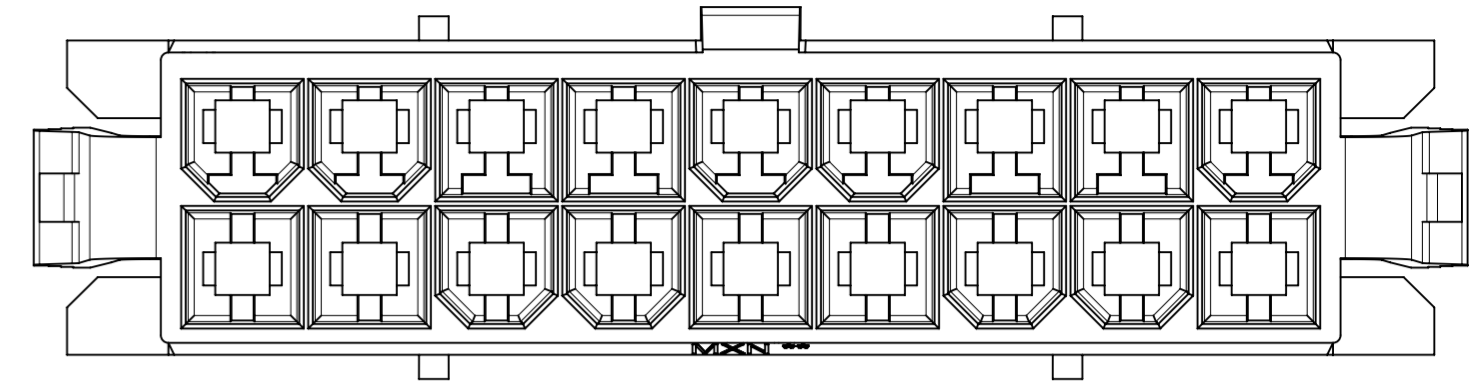
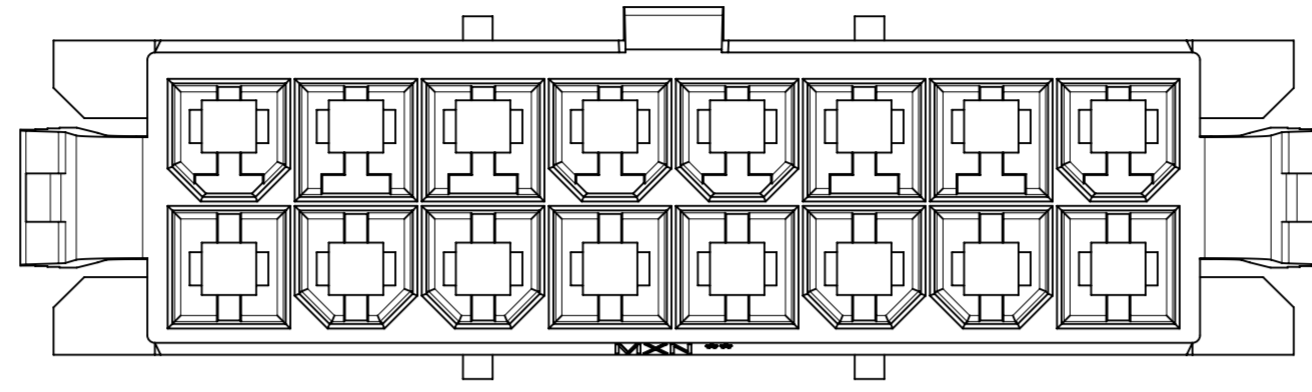
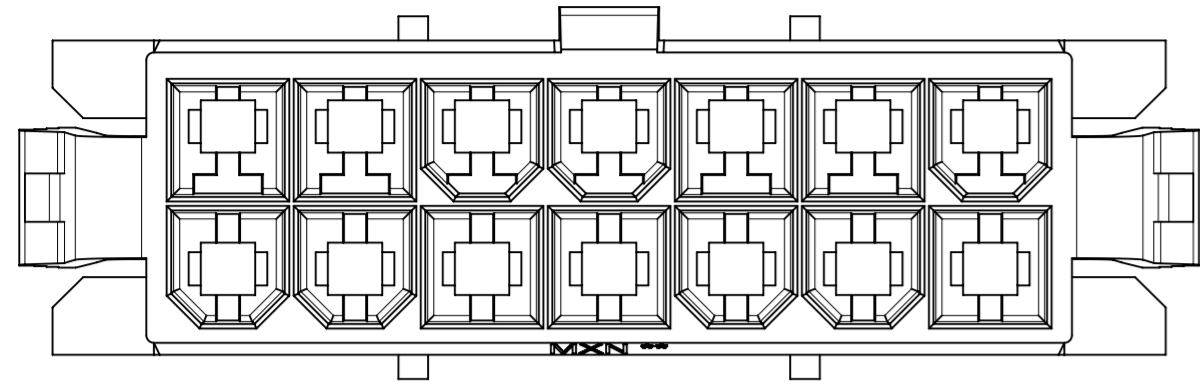
molex

SD-DRAWING OF MINI-FIT SIGMA DR PLUG

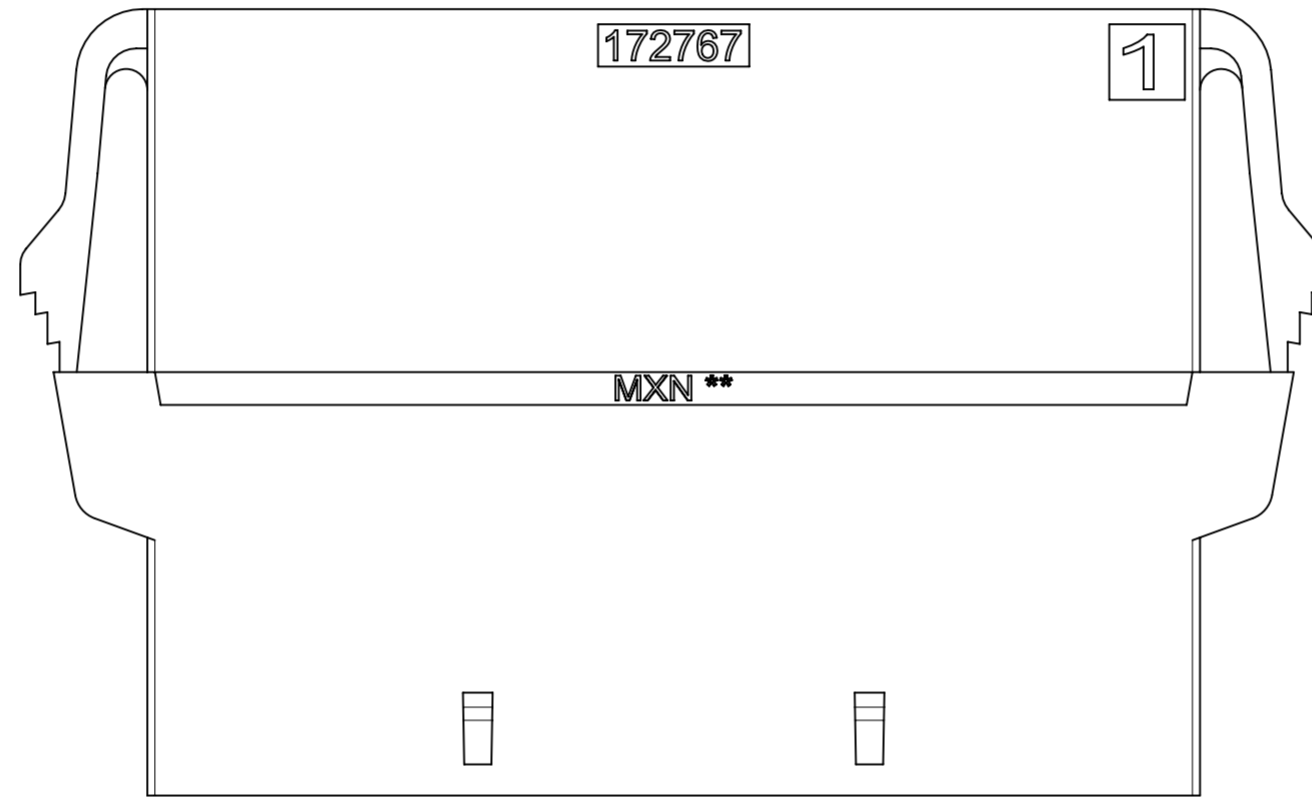
PRODUCT CUSTOMER DRAWING

DOCUMENT NUMBER: 1727670002-SD
DOC TYPE: PSD
DOC PART: 000
REVISION: A5

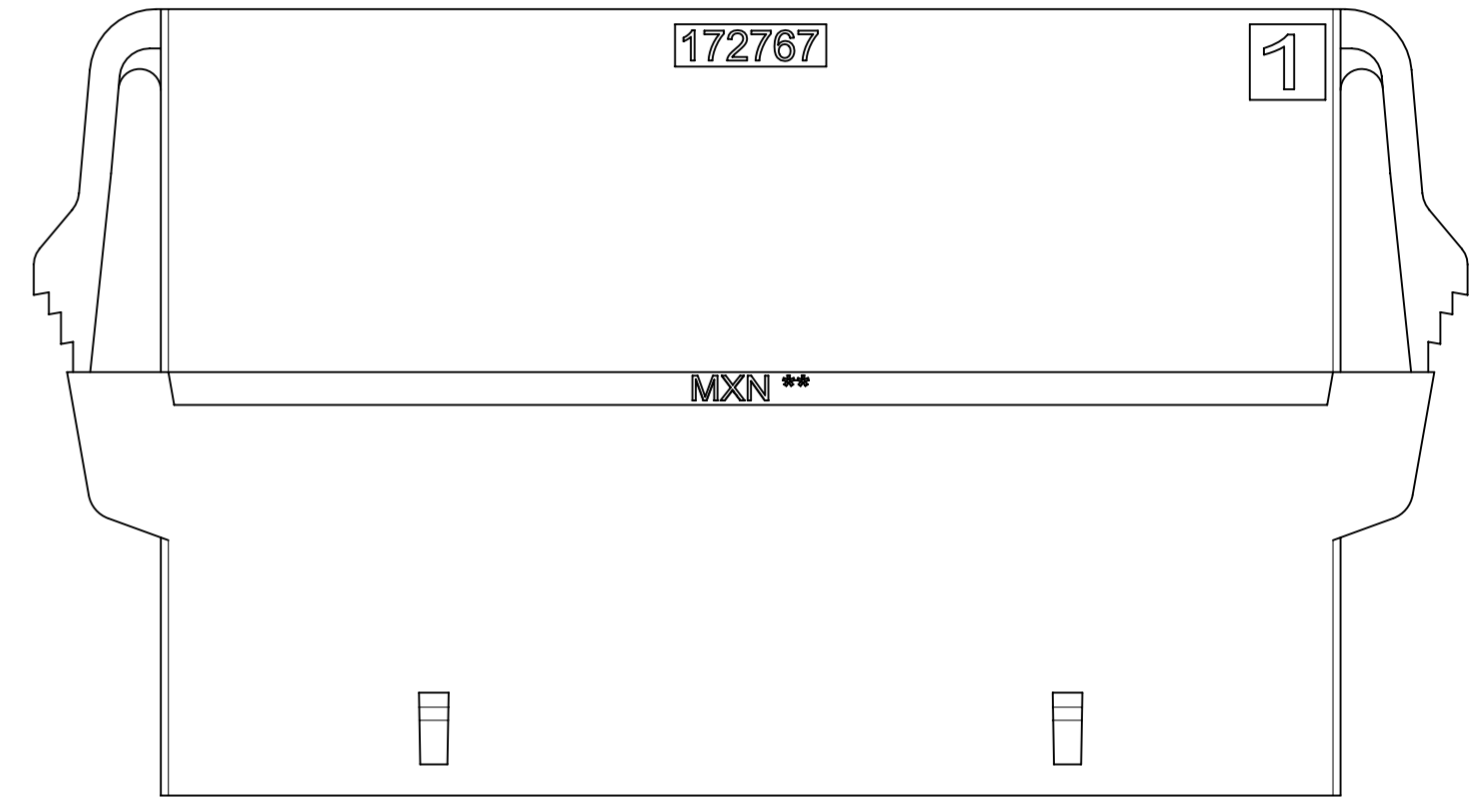
MATERIAL NUMBER: SEE TABLE
CUSTOMER: GENERAL MARKET
SHEET NUMBER: 3 OF 4



14-CKT



16-CKT



18-CKT

FUNCTIONAL SYMBOLS	THIS DRAWING CONTAINS INFORMATION THAT IS PROPRIETARY TO MOLEX ELECTRONIC TECHNOLOGIES, LLC AND SHOULD NOT BE USED WITHOUT WRITTEN PERMISSION										
	DIMENSION UNITS	SCALE	CURRENT REV DESC:							molex	
$\frac{F}{A} = 0$	mm	4:1	EC NO: 653179								
$\frac{F}{C} = 0$	GENERAL TOLERANCES (UNLESS SPECIFIED)		DRWN: ALU002 2021/01/18							PRODUCT CUSTOMER DRAWING	
$\frac{F}{P} = 0$	ANGULAR TOL ± °		CHK'D: YXZHENG 2021/01/18							DOCUMENT NUMBER	
DIVISIONAL SYMBOLS	4 PLACES ±		APPR: YXZHENG 2021/01/18							DOC TYPE	
	3 PLACES ±		INITIAL REVISION:							DOC PART	
	2 PLACES ± 0.25		DRWN: ALU002 2019/09/24							REVISION	
	1 PLACE ± 0.36		APPR: YXZHENG 2019/10/11							1727670002-SD	
	0 PLACES ±		DRAFT WHERE APPLICABLE MUST REMAIN WITHIN DIMENSIONS		THIRD ANGLE PROJECTION		DRAWING	SERIES	MATERIAL NUMBER	CUSTOMER	SHEET NUMBER
							A2-SIZE	172767		GENERAL MARKET	4 OF 4

DOCUMENT STATUS	P1	RELEASE DATE	2021/01/18	01:45:37
-----------------	----	--------------	------------	----------