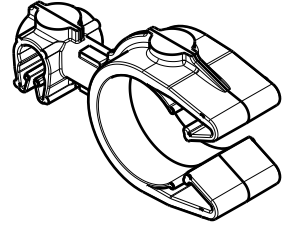
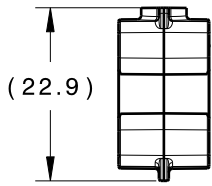
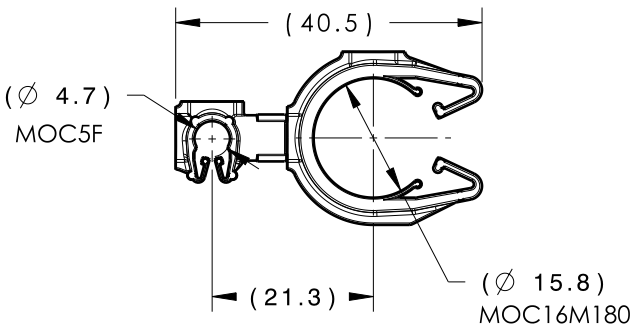
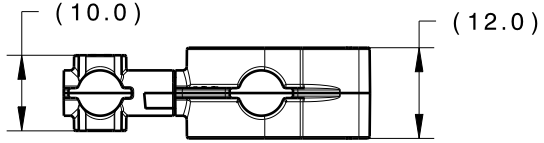
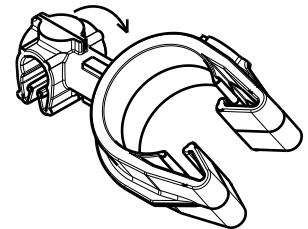


| | | | | | | | |
|----------------|----------------|------|-----------------|---------|------------|----------|------------|
| Revision Level | | | Revision Record | Changed | Date | Approved | Date |
| Drawing | State | Part | | | | | |
| 00.1 | Design Release | - | SEE ECN# 014769 | TAT | 11/28/2018 | EJH | 11/28/2018 |



ISOMETRIC VIEW

CLIPS ROTATE 360 DEGREES



ISOMETRIC VIEW ROTATED

| | | |
|----------------|---------------|-----------------|
| TYPE | MOC5F | MOC16M180 |
| HARNESS | 4.5MM - 5.5MM | 14.0MM - 17.0MM |
| HOSE | 4.0MM - 5.3MM | 14.0MM - 17.0MM |
| HARD PIPE/TUBE | 4.8MM - 5.5MM | 15.9MM - 18.3MM |

*RECOMMENDED SIZES MAY DIFFER DEPENDING ON THE APPLICATION , PRODUCT REQUIREMENTS AND MATERIALS USED

**PATENT PENDING 29/582,271

| GLOBAL PART DESCRIPTION | MOC5F | | | MOC16M** | | |
|-------------------------------|-----------------|-------------|-------|-----------------|-------------|-------|
| | DRAWING | MATERIAL | COLOR | DRAWING | MATERIAL | COLOR |
| MOC5FMOC16M180-PA66HIRHSUV-BK | 16-0313-000-CSU | PA66HIRHSUV | BLACK | 16-0321-000-CSU | PA66HIRHSUV | BLACK |

| | | | | | | | | | | | |
|---|-------------------------------------|--|--|-------|------------|--------|--------------------|------------------------------------|--------|----------------|---------|
| Material SEE CHART COLOR: SEE CHART | Units | millimeters | The copyright of this drawing is reserved by HellermannTyton. It is issued on condition that it is not reproduced, copied or disclosed to a third party, either wholly or in part, without the consent of HellermannTyton. | Drawn | CJR | 8/8/18 | Article/Type-No | MOC5FMOC16M180 | | Scale | 1:1 |
| | Tolerance defined on each dimension | Approved | | TAT | 8/9/18 | Title | | 5MM MOC COUPLED TO A 16MM MOC M180 | | Project Number | 16-0330 |
| | |  North America Email: corp@htamericas.com Web: www.hellermann.tyton.com | | | Drawing-No | | PRODUCTION : Phase | | Format | AH | |
| | | | | | | | 16-0330-154-CSU | | Sheet | 1/1 | |