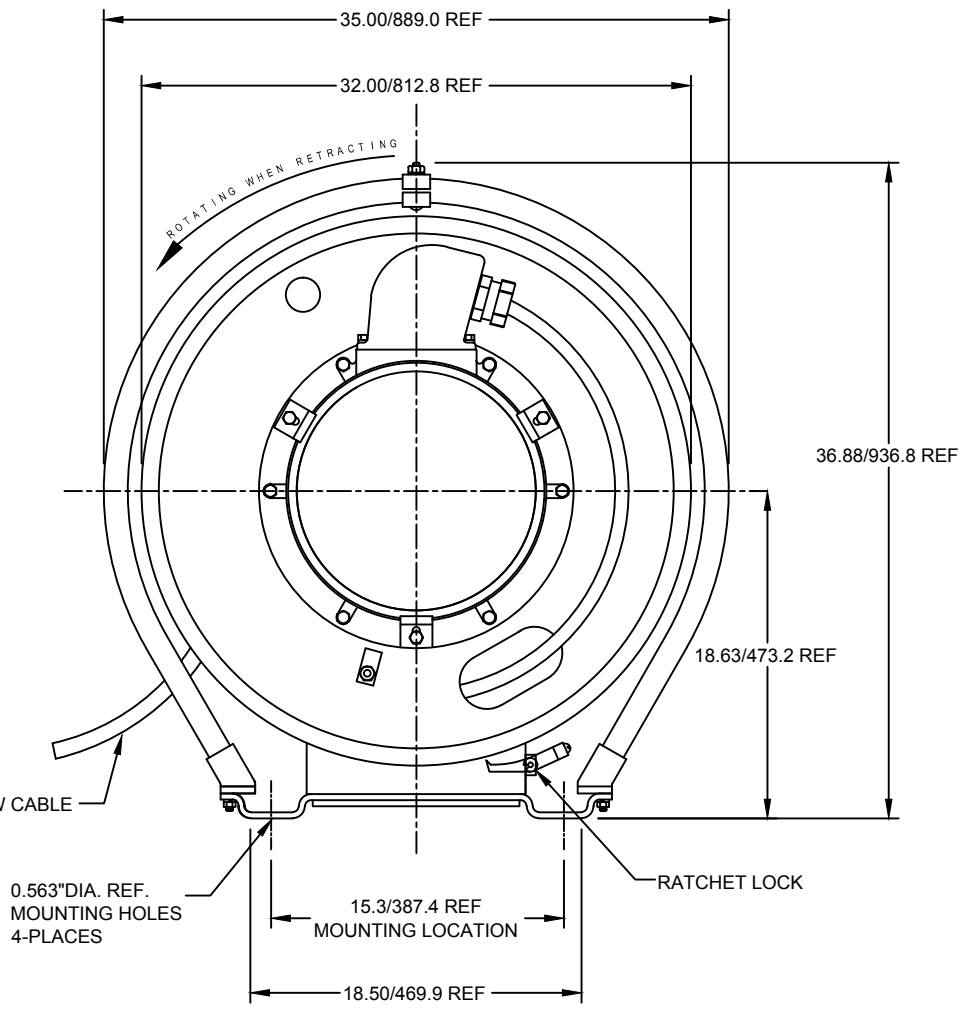
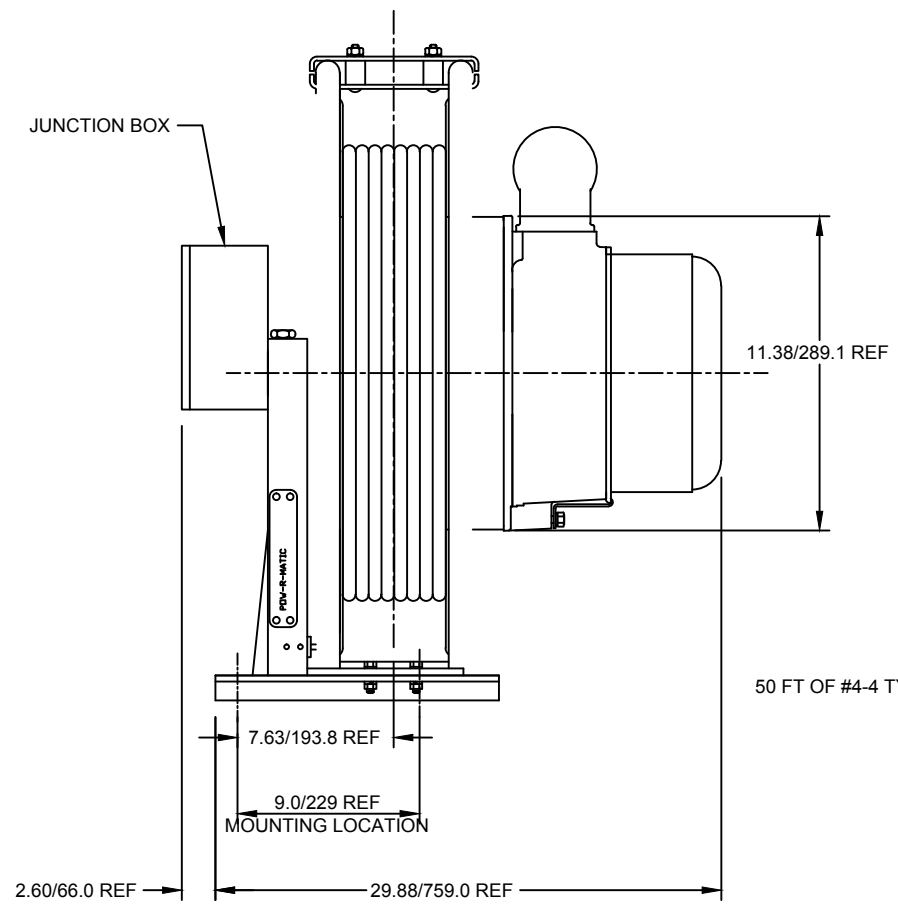


MATERIAL #	ENGINEERING #
1300851079	144517904JV0372



SPECIFICATIONS:  
ELECTRICAL RATING: 55A, 600V

RELEASE CUSTOMER DRWG EC NO: ICG2014-1159 DRWN: HRUIZ01 2013/12/20 CHKD: HKNEELAN APPR: JFMURPHY 2014/01/15	DESCRIPTION REV A	QUALITY SYMBOLS	GENERAL TOLERANCES (UNLESS SPECIFIED)		DIMENSION STYLE INCH/MM		SCALE NTS	DESIGN UNITS INCH	THIRD ANGLE PROJECTION																		
		$\nabla = 0$ $\sphericalangle = 0$	<table border="1"> <tr> <td></td> <td>mm</td> <td>INCH</td> </tr> <tr> <td>4 PLACES</td> <td>±---</td> <td>±---</td> </tr> <tr> <td>3 PLACES</td> <td>±---</td> <td>±0.05</td> </tr> <tr> <td>2 PLACES</td> <td>±.13</td> <td>±0.10</td> </tr> <tr> <td>1 PLACE</td> <td>±.25</td> <td>±0.20</td> </tr> </table>		mm	INCH	4 PLACES	±---	±---	3 PLACES	±---	±0.05	2 PLACES	±.13	±0.10	1 PLACE	±.25	±0.20	ANGULAR ±1/2°		DRAWN BY DATE HRUIZ01 2013/12/20		TITLE 144517904J7L CABLE REEL #4-4 TYPE W CABLE W/ RATCHET LOCK				
			mm	INCH																							
		4 PLACES	±---	±---																							
3 PLACES	±---	±0.05																									
2 PLACES	±.13	±0.10																									
1 PLACE	±.25	±0.20																									
DRAFT WHERE APPLICABLE MUST REMAIN WITHIN DIMENSIONS			APPROVED BY DATE JFMURPHY 2014/01/15		MATERIAL NO. 1300851079					DOCUMENT NO. SD-130085-010		SHEET NO. 1 OF 1															
			SIZE A		THIS DRAWING CONTAINS INFORMATION THAT IS PROPRIETARY TO MOLEX INCORPORATED AND SHOULD NOT BE USED WITHOUT WRITTEN PERMISSION																						