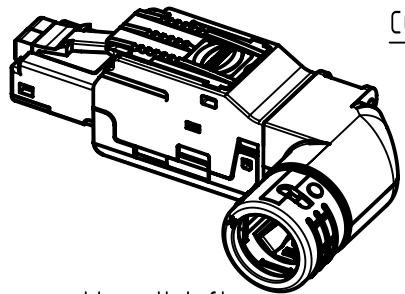
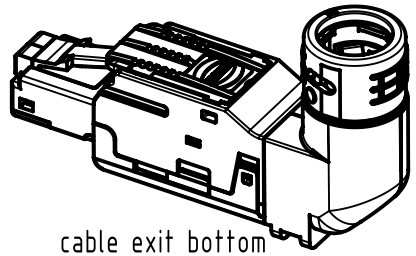


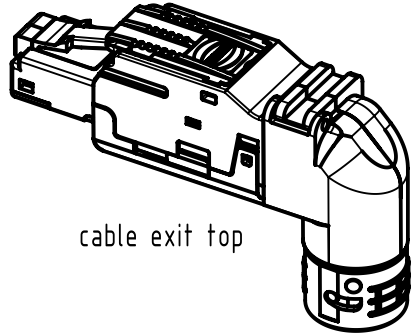
cable exit right



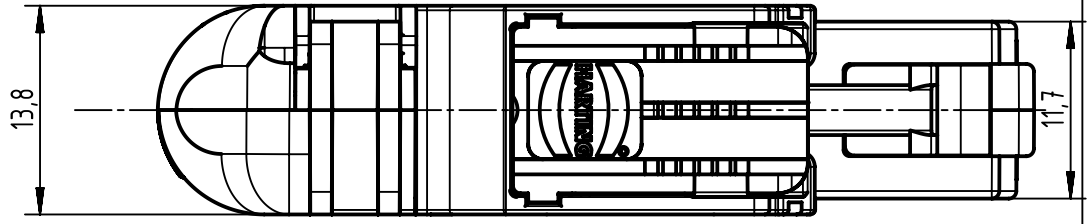
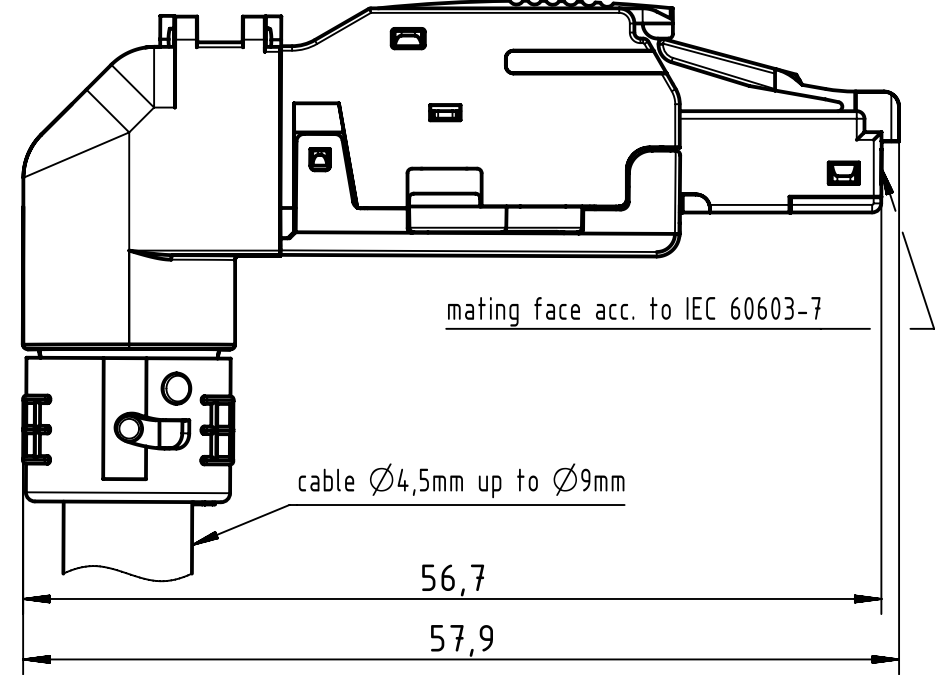
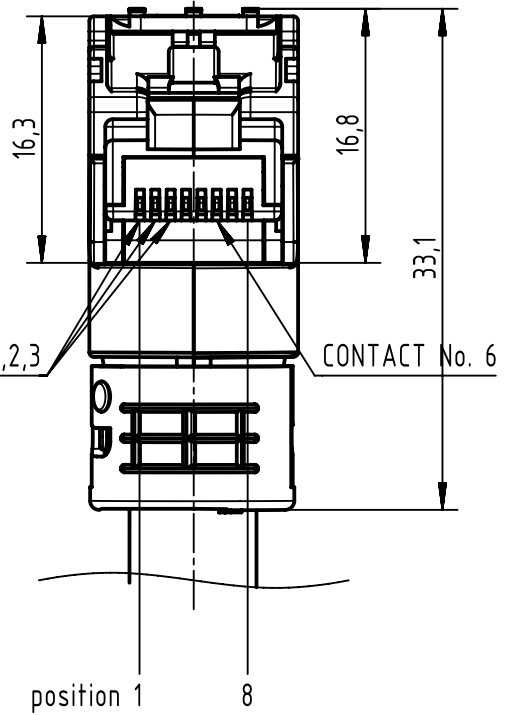
cable exit left



cable exit bottom



cable exit top



data contact plating: Au 1,27 μm (50pin) over nickel

	All rights reserved Department EL PD	All Dimensions in mm Original Size DIN A4		Scale 2:1	Free size tol.	Ref. Sub.	
		HARTING Electronics GmbH D-32339 Espelkamp	Created by FARCASIU	Inspected by PRIESTER	Standardisation HOFFMANN	Date 2019-12-18	State Final Release
		Title RJ45 MF-PN RJ45 plug Cat5, 4p IDC angled				Doc-Key / ECM-Nr. 100820438/UGD/000/D 500000161631	
		Type TB	Number 09451511141			Rev. D	Page 1/1