

MATERIALS AND FINISHES

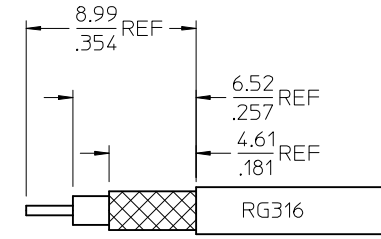
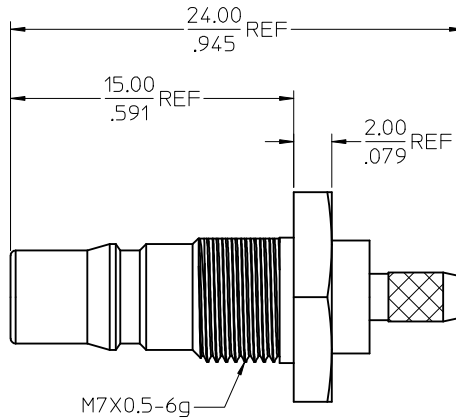
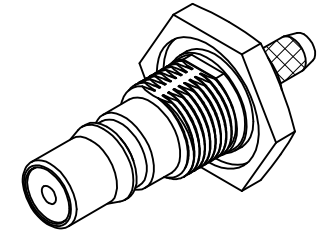
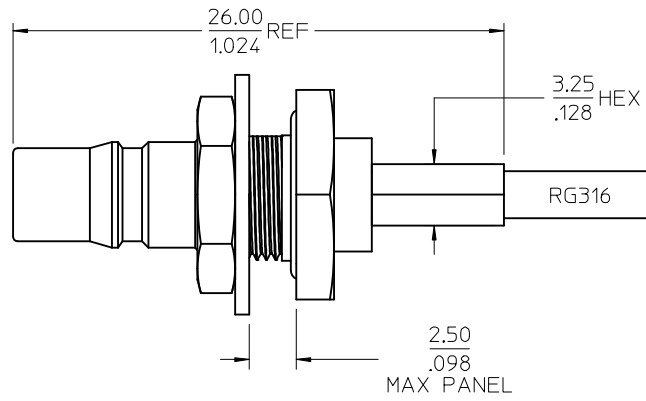
BODY: BRASS
PLATED TRI-METAL

CENTER CONTACT BERYLLIUM COPPER
PLATED GOLD

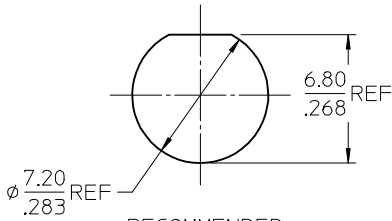
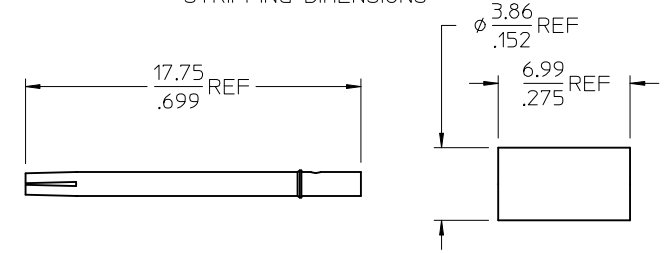
INSULATOR TEFLON

CRIMP TUBE, JAM NUT: BRASS
PLATED NICKEL

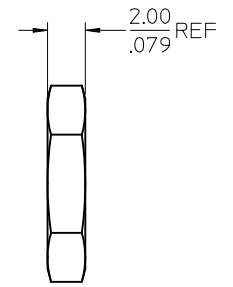
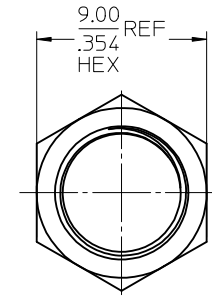
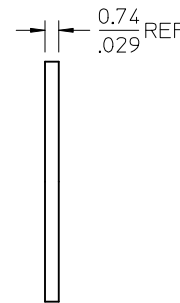
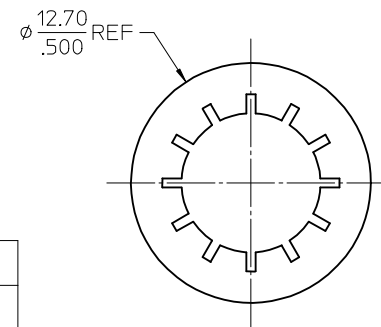
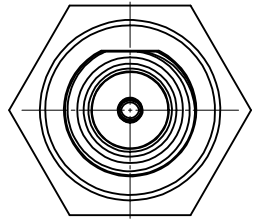
LOCKWASHER: PHOSPHER BRONZE
PLATED TRI-METAL



STRIPPING DIMENSIONS



RECOMMENDED
PANEL CUTOUT



73254-0101	ONE PIECE 73254-0100 PER BAG
73254-0100	TRAY
PART NO.	DESCRIPTION

CHG:	UPDATE PACKAGING	2015/05/25	QUALITY SYMBOLS	▽=0
	FOR 73254-0100			▽=0
	PER RF15-E213			▽=0
EC NO:	URF2015-0659			
DRWNR:	YEH			
CHKD:				
APPR:	YCHENG	2015/05/29		
REV:	B4			

GENERAL TOLERANCES (UNLESS SPECIFIED)	
mm	INCH
4 PLACES ± .005	± .0005
3 PLACES ± .003	± .0003
2 PLACES ± .002	± .0002
1 PLACE ± .001	± .0001
0 PLACE ±	±
ANGULAR ± 2 °	
DRAFT WHERE APPLICABLE MUST REMAIN WITHIN DIMENSIONS	

DIMENSION STYLE		SCALE		DESIGN UNITS		THIRD ANGLE PROJECTION	
MM/IN		5:1		METRIC		☉	
DRAWN BY	DATE	TITLE		QMA JACK, RG316 50 OHMS, EWR-2192 QMA-JC molex DOCUMENT NO. SD-73254-010 SHEET NO. 1 OF 1			
CHECKED BY	DATE	MATERIAL NO.					
APPROVED BY	DATE	SIZE					
MATERIAL NO.		SIZE					

DRAWN BY		DATE	
TEF	2003/10/07	TITLE	
CHECKED BY		DATE	
SSS	2003/10/07	MATERIAL NO.	
APPROVED BY		DATE	
GMH	2003/10/07	SIZE	
MATERIAL NO.		SIZE	

DRAWN BY		DATE	
TEF	2003/10/07	TITLE	
CHECKED BY		DATE	
SSS	2003/10/07	MATERIAL NO.	
APPROVED BY		DATE	
GMH	2003/10/07	SIZE	
MATERIAL NO.		SIZE	

MATERIALS AND FINISHES

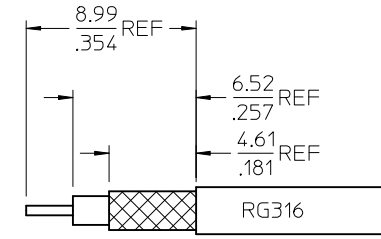
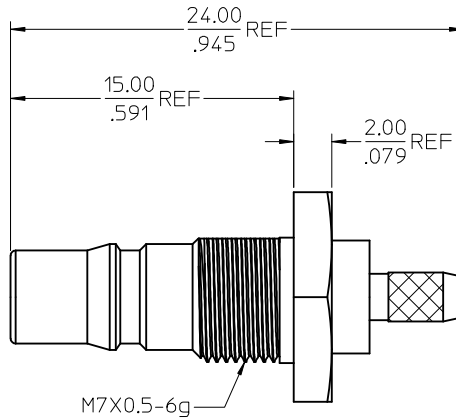
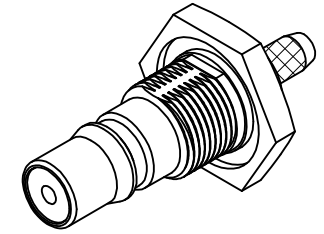
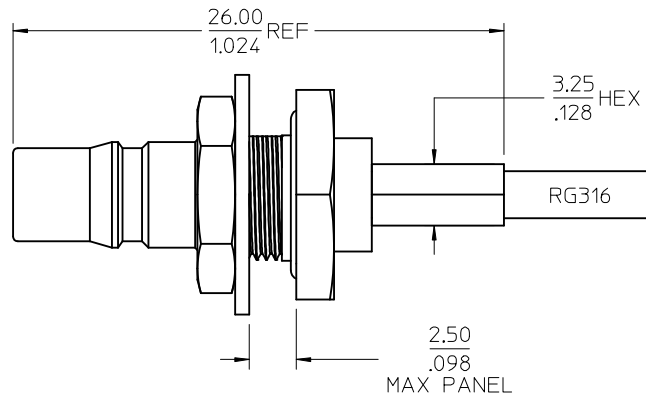
BODY: BRASS
PLATED TRI-METAL

CENTER CONTACT BERYLLIUM COPPER
PLATED GOLD

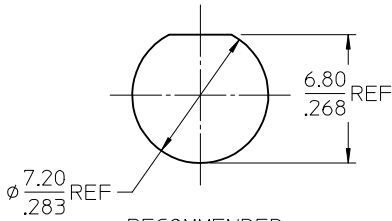
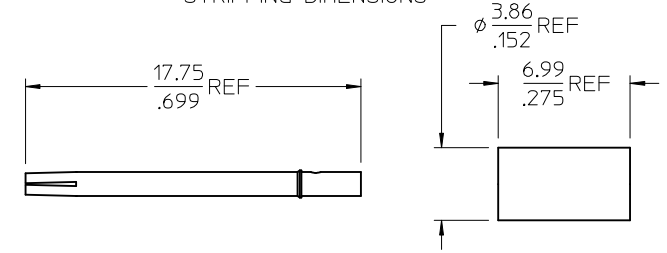
INSULATOR TEFLON

CRIMP TUBE, JAM NUT: BRASS
PLATED NICKEL

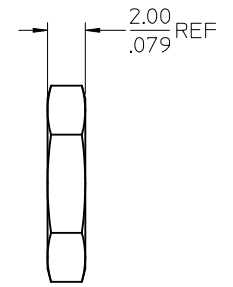
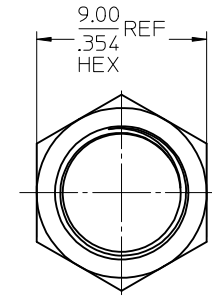
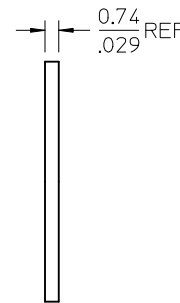
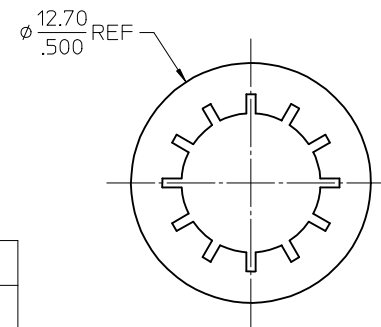
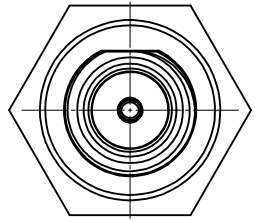
LOCKWASHER: PHOSPHER BRONZE
PLATED TRI-METAL



STRIPPING DIMENSIONS



RECOMMENDED
PANEL CUTOUT



73254-0101	ONE PIECE 73254-0100 PER BAG
73254-0100	TRAY
PART NO.	DESCRIPTION

CHG:	UPDATE PACKAGING	2015/05/25	QUALITY SYMBOLS	▽=0
	FOR 73254-0100			▽=0
EC NO:	URF2015-0659	2015/05/29	DESCRIPTION	▽=0
	DRW:RYEH			▽=0
CHKD:	YCHENG			
APPR:				
REV	B4			

GENERAL TOLERANCES (UNLESS SPECIFIED)	
mm	INCH
4 PLACES ± .---	± .---
3 PLACES ± .---	± .---
2 PLACES ± .---	± .---
1 PLACE ± .---	± .---
0 PLACE ±	±
ANGULAR ± 2 °	
DRAFT WHERE APPLICABLE MUST REMAIN WITHIN DIMENSIONS	

DIMENSION STYLE	
MM/IN	
DRAWN BY	DATE
TEF	2003/10/07
CHECKED BY	DATE
SSS	2003/10/07
APPROVED BY	DATE
GMH	2003/10/07
MATERIAL NO.	
SEE TABLE	
SIZE C	

SCALE	5:1
DESIGN UNITS	METRIC
THIRD ANGLE PROJECTION	

QMA JACK, RG316	
50 OHMS, EWR-2192	
QMA-JC	
molex	
DOCUMENT NO.	SD-73254-010
SHEET NO.	1 OF 1
THIS DRAWING CONTAINS INFORMATION THAT IS PROPRIETARY TO MOLEX INCORPORATED AND SHOULD NOT BE USED WITHOUT WRITTEN PERMISSION	