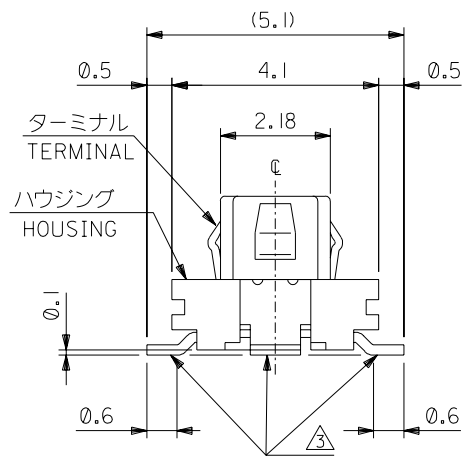
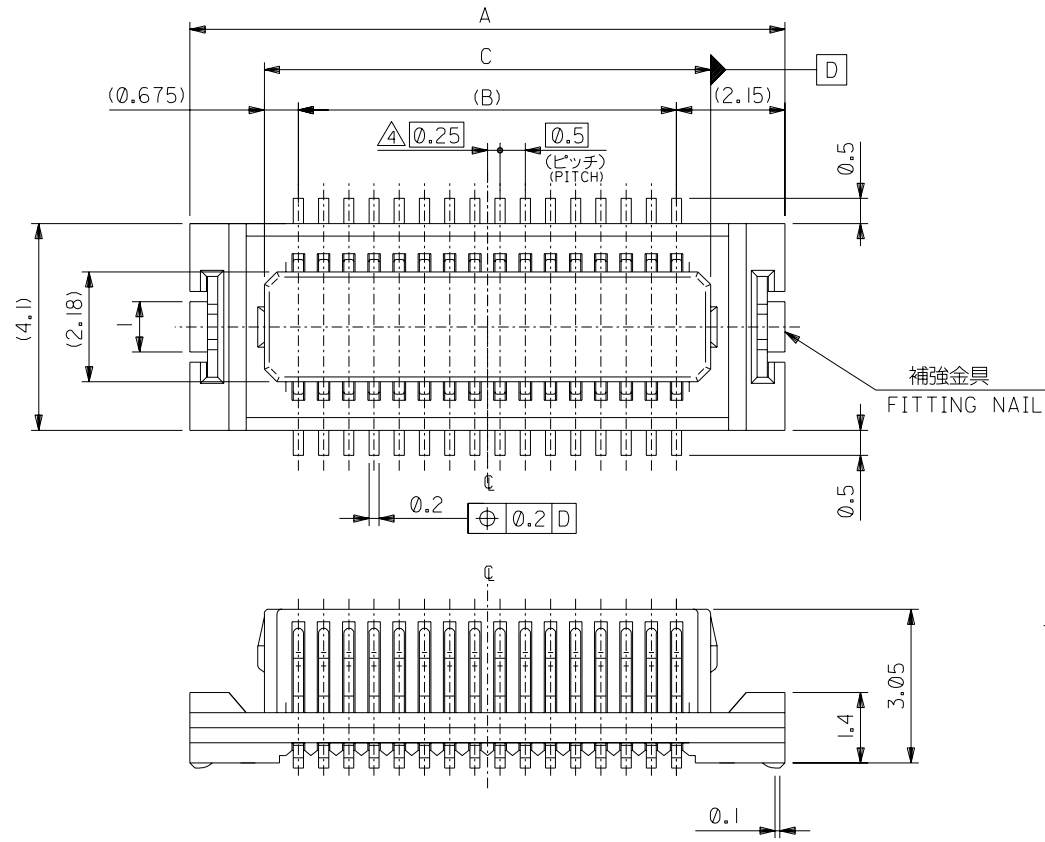


DWG. NO.
SD-54434-009



18.35	17.0	21.3	54434-0701	70
15.85	14.5	18.8	54434-0601	60
10.85	9.5	13.8	54434-0401	40
C	B	A	MATERIAL NO.	極数 CKTS.

DO NOT SCALE DRAWING

64 NO. DRWN: CH'K: APPR:	63 NO. DRWN: CH'K: APPR:	62 NO. DRWN: CH'K: APPR:	61 NO. DRWN: CH'K: APPR:	RELEASED 60 NO. J2004-3183 DRWN: H.SHIMABUKURO '04/3/18 CH'K: K.TOJO '04/3/18 APPR: M.SASAO '04/3/18
MATERIAL 材料				
FINISH 仕上げ				
WIRE RANGE 適用電線範囲				
INS. RANGE 被覆外径				

DESCRIPTION	注記参照 SEE NOTES
DESCRIPTION	注記参照 SEE NOTES

GENERAL TOLERANCES: (UNLESS SPECIFIED) 一般公差	SCALE	DESIGN UNITS
10 UNDER 未満	1:1	mm
10 OVER 30 UNDER 未満		INCH
30 OVER 以上		mm ONLY
ANGLE 角度		3°

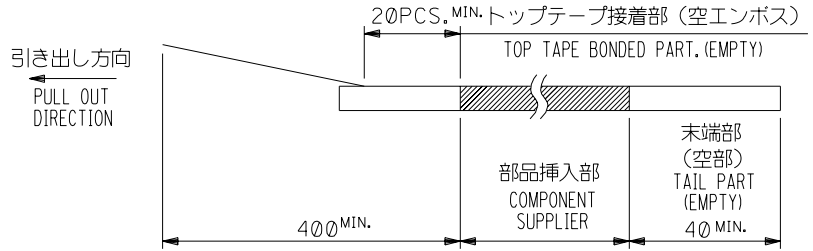
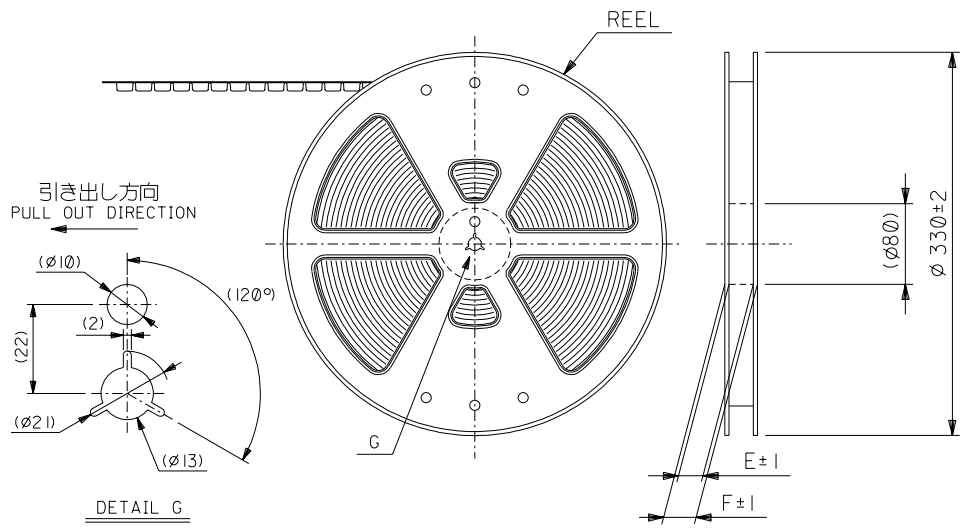
MODEL NO.	54434-***1	DIMENSIONS:	SHT	REV
DRAWN BY & DATE	H.SHIMABUKURO '04/3/18	PROJECTION	2	1
CHECKED BY & DATE	K.TOJO '04/3/18	PROJECTION	MOLEX INCORPORATED	
APPROVED BY & DATE	M.SASAO '04/3/18	PROJECTION	TITLE: 0.5 BOARD TO BOARD CONN. HOUSING ASS'Y WITH NAIL WITH LOCK -LEAD FREE-	
CAD FILENAME	54434009.S01	MATERIAL NO.	DRAWING NO.	SHEET NO.
		SEE CHART	SD-54434-009	1 OF 2
THIS DRAWING CONTAINS INFORMATION THAT IS PROPRIETARY TO MOLEX INCORPORATED AND SHOULD NOT BE USED WITHOUT WRITTEN PERMISSION.				SIZE B

SD-54434-009:50

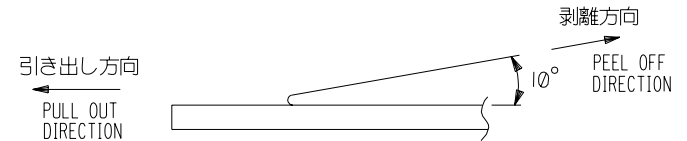
DWG. NO. SD-54434-010

注記 NOTES

- 製品詳細寸法については図面 SD-54434-009 を参照下さい。
RE DETAILED DIMENSION, SEE SD-54434-009
- 梱包数量：1000個/リール
NUMBER OF CONNECTORS : 1000PCS/REEL
- リードテープ長さ LEAD TAPE LENGTH



- トップテープの剥離強度：0.1N ~ 1.3N(10gf ~ 130gf)
(剥離方向は下図参照)
尚、本規格値は出荷時に適用。(但し、輸送時に剥離が発生しないこと。)
PEELING OFF FORCE OF TOP TAPE : 0.1N ~ 1.3N(10gf ~ 130gf)
(PEELING DIRECTION AS SHOWN IN FOLLOWING FIG.)
THIS REQUIREMENT SHOULD BE APPLIED AT SHIPMENT.
PEEL OFF SHOULD NOT BE ALLOWED , DURING TRANSPORTATION.



- 材料(MATERIAL)
キャリアテープ(CARRIER TAPE)：ポリプロピレン(POLYPROPYLENE)
トップテープ(TOPTAPE)：PET, PE, PEF
リール(REEL)：紙製(CARD BOARD)
- 本製品は 54434-***9 の鉛フリー品である。
THIS PRODUCT IS LEAD FREE OF 54434-***9

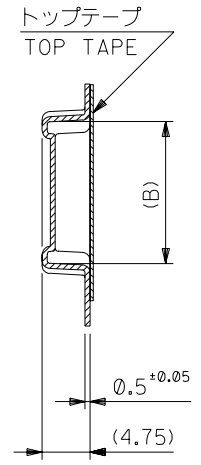
DO NOT SCALE DRAWING

164 NO. DRWN: CH'K: APPR: 163 NO. DRWN: CH'K: APPR: 162 NO. DRWN: CH'K: APPR: 161 NO. DRWN: CH'K: APPR:		RELEASED 160 NO. J2004-3183 DRWN: H.SHIMABUKURO 04/3/08 CH'K: K.TOJO 04/3/08 APPR: M.SASAO 04/3/08	MATERIAL 材料 注記参照 SEE NOTES FINISH 仕上げ 注記参照 SEE NOTES WIRE RANGE 適用電線範囲 適用電線範囲 INS. RANGE 被覆外径 被覆外径	GENERAL TOLERANCES: (UNLESS SPECIFIED) 一般公差 10 UNDER 未満 30 UNDER 未満 30 OVER 以上 ANGLE 角度	SCALE 1/1 DESIGN UNITS <input checked="" type="checkbox"/> mm <input type="checkbox"/> INCH DRAWN BY & DATE H.SHIMABUKURO 04/3/08 CHECKED BY & DATE K.TOJO 04/3/08 APPROVED BY & DATE M.SASAO 04/3/08 CAD FILENAME 54434010.S01	MODEL NO. 54434-***8 DIMENSIONS: <input type="checkbox"/> mm <input type="checkbox"/> INCH <input checked="" type="checkbox"/> mm <input type="checkbox"/> INCH ONLY SHT 1 OF 4 REV TITLE: 54434-***1 テーピング梱包 EMBOSSED TAPE PACKAGE FOR 54434-***1 -LEAD FREE- MOLEX INCORPORATED MATERIAL NO. SEE CHART DRAWING NO. SD-54434-010 SHEET NO. 1 OF 4 SIZE B	20° THIRD ANGLE PROJECTION EN-02J(097) MXJ-54
--	--	--	---	---	---	--	--

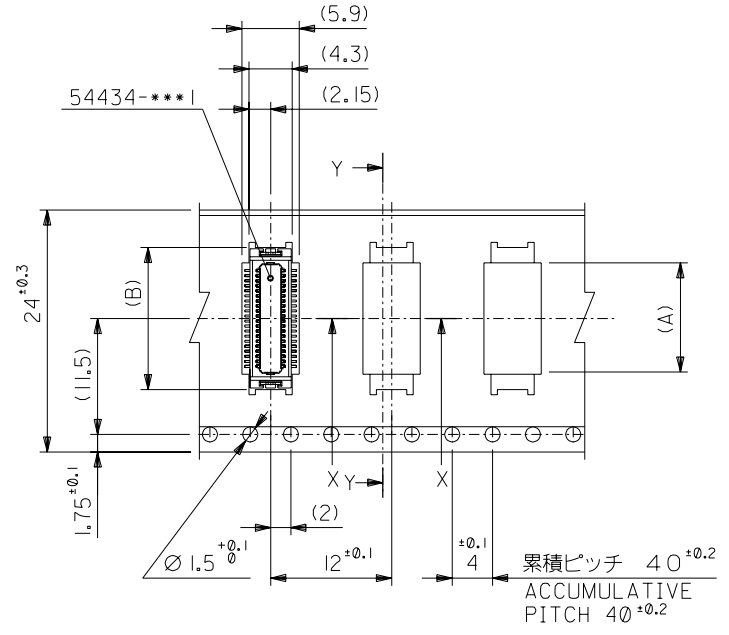
SD-54434-010.S01

DWG. NO.
SD-54434-010

引き出し方向
PULL OUT DIRECTION

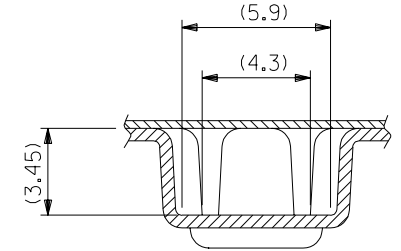


SECT : Y-Y



24mm幅キャリアテープ
24mm WIDTH CARRIER TAPE

累積ピッチ 40 ± 0.2
ACCUMULATIVE PITCH 40 ± 0.2



SECT : X-X

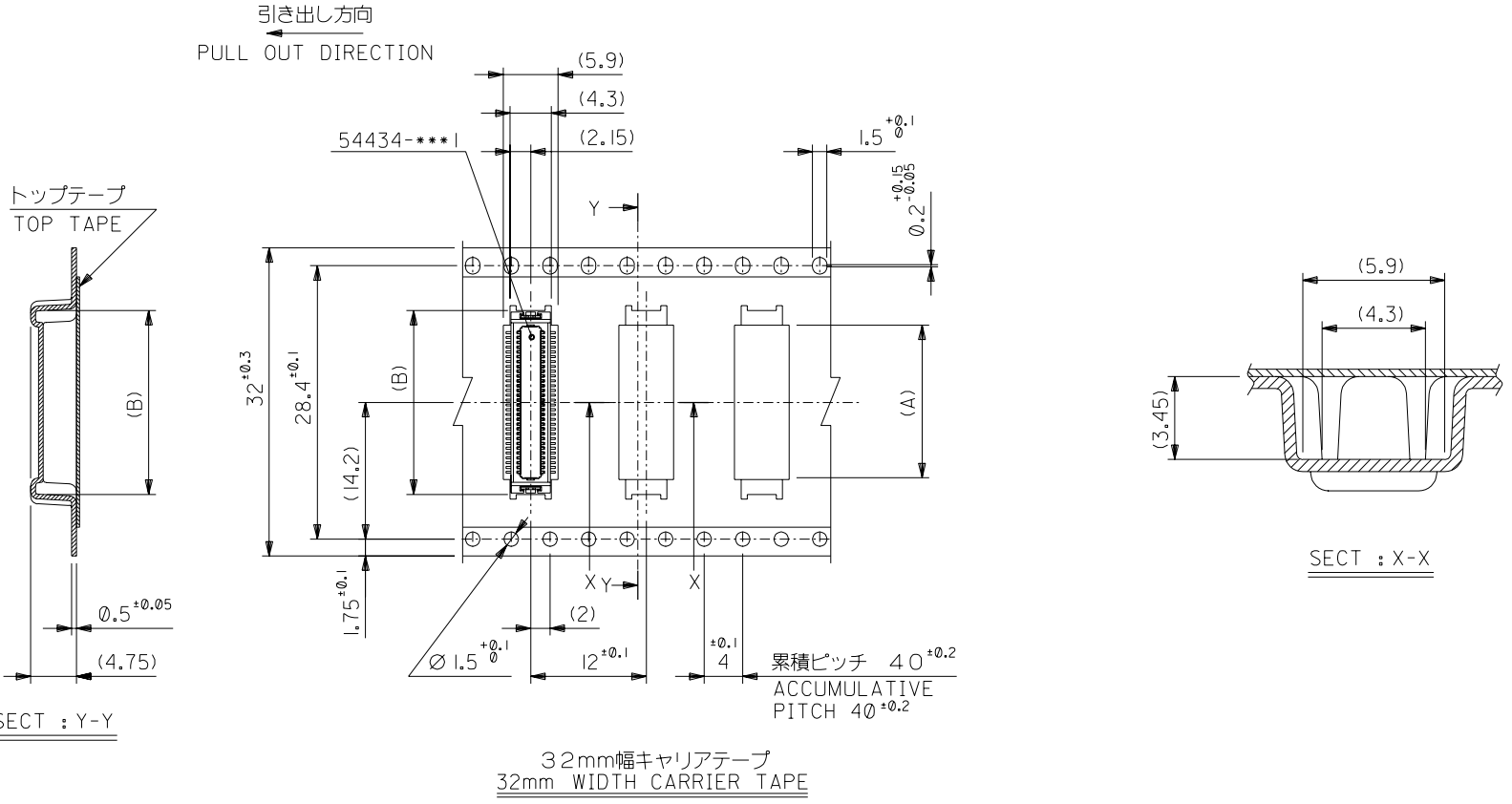
24	29.4	25.4	14.1	11.04	54434-0408	40
キャリアテープ幅	F	E	(B)	(A)	MATERIAL NO.	極数 CKTS.

64 NO. DRAWN: CHK: APPR:	63 NO. DRAWN: CHK: APPR:	62 NO. DRAWN: CHK: APPR:	61 NO. DRAWN: CHK: APPR:	RELEASED 60 NO. J2004-3183 DRAWN: H.SHIMABUKURO '04/3/18 CHK: K.TOJO '04/3/18 APPR: M.SASAO '04/3/18	MATERIAL 材料 注記参照 SEE NOTES	GENERAL TOLERANCES: (UNLESS SPECIFIED) 一般公差		MODEL NO. 54434-***8		DIMENSIONS: <input type="checkbox"/> mm <input type="checkbox"/> INCH <input checked="" type="checkbox"/> mm ONLY		SHT	REV	
						FINISH 仕上げ 注記参照 SEE NOTES	10 UNDER 未満 ±0.2	30 UNDER 未満 ±0.25	DRAWN BY & DATE H.SHIMABUKURO '04/3/18 CHECKED BY & DATE K.TOJO '04/3/18 APPROVED BY & DATE M.SASAO '04/3/18	TITLE: 54434-***1 テープピン梱包 EMBOSSED TAPE PACKAGE FOR 54434-***1 -LEAD FREE-				
WIRE RANGE 適用電線範囲					INS. RANGE 被覆外径		30 OVER 以上 ±0.3	ANGLE 角度 ±3°	MOLEX INCORPORATED		CAD FILENAME 54434010.S02	MATERIAL NO. SEE CHART	DRAWING NO. SD-54434-010	SHEET NO. 2 OF 4

DO NOT SCALE DRAWING

SD-54434-010.S02

DWG. NO.
SD-54434-010



32	37.4	33.4	19.1	16.04	54434-0608	60
キャリアテープ幅	F	E	(B)	(A)	MATERIAL NO.	極数 CKTS.

DO NOT SCALE DRAWING

64 NO. DRWN: CHK: APPR:	63 NO. DRWN: CHK: APPR:	62 NO. DRWN: CHK: APPR:	61 NO. DRWN: CHK: APPR:	RELEASED 60 NO. J2004-3183 DRWN: H. SHIMABUKURO '04/3/18 CHK: K. TOJO '04/3/18 APPR: M. SASAO '04/3/18	MATERIAL 材料 注記参照 SEE NOTES	GENERAL TOLERANCES: (UNLESS SPECIFIED) 一般公差 10 UNDER 未満 ±0.2 10 OVER 30 UNDER 未満 ±0.25 30 OVER 以上 ±0.3 ANGLE 角度 ±3°	MODEL NO. 54434-***8	DIMENSIONS: <input type="checkbox"/> mm <input type="checkbox"/> INCH <input checked="" type="checkbox"/> mm ONLY	SHT REV	
							FINISH 仕上げ 注記参照 SEE NOTES	DRAWN BY & DATE H. SHIMABUKURO '04/3/18 CHECKED BY & DATE K. TOJO '04/3/18 APPROVED BY & DATE M. SASAO '04/3/18 CAD FILENAME 54434010.S03	TITLE: 54434-***1 テーピング梱包 EMBOSSED TAPE PACKAGE FOR 54434-***1 -LEAD FREE- MOLEX INCORPORATED	MATERIAL NO. DRAWING NO. SHEET NO.
WIRE RANGE 適用電線範囲 //						INS. RANGE 被覆外径 //		MOLEX DRAWING CONTAINS INFORMATION THAT IS PROPRIETARY TO MOLEX INCORPORATED AND SHOULD NOT BE USED WITHOUT WRITTEN PERMISSION.		SIZE B

