

回路1表示
CIRCUIT 1 MARK

CIRCUIT 1

CIRCUIT N

③
トレードマーク
TRADE MARK

(0.47)

3.1 ±0.3

(5.7)

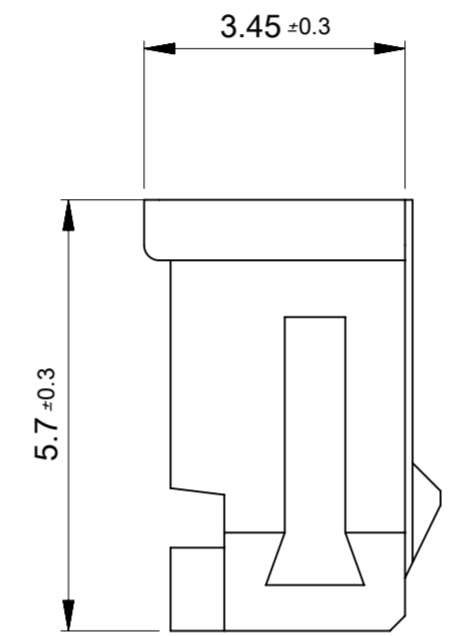
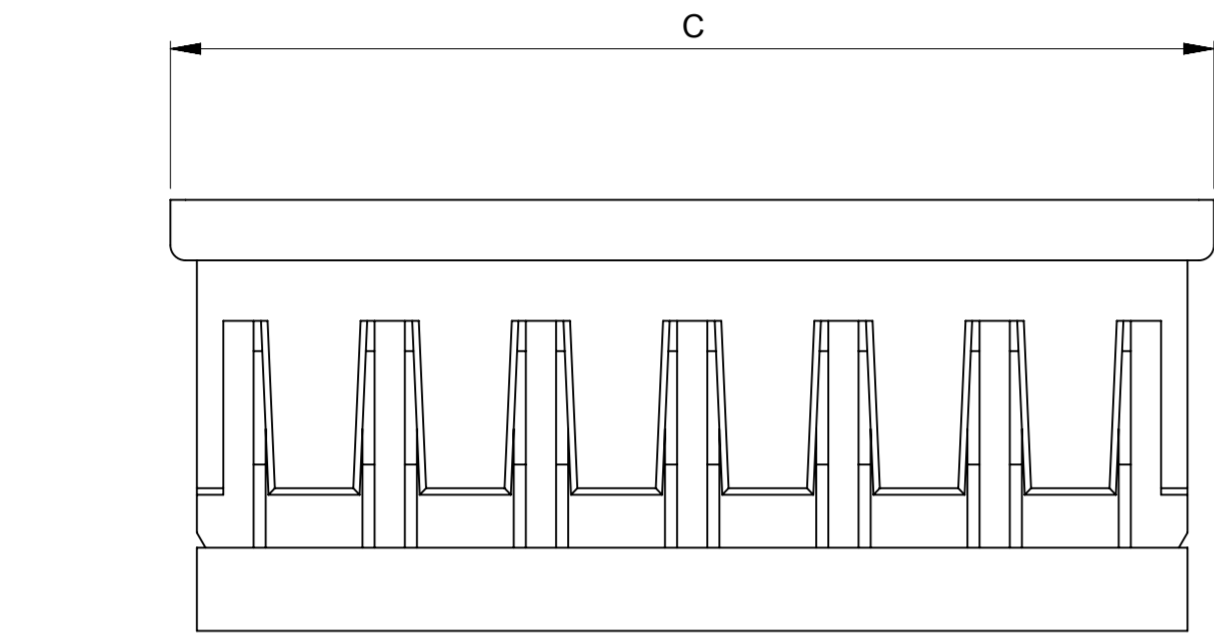
0.8

NOTES

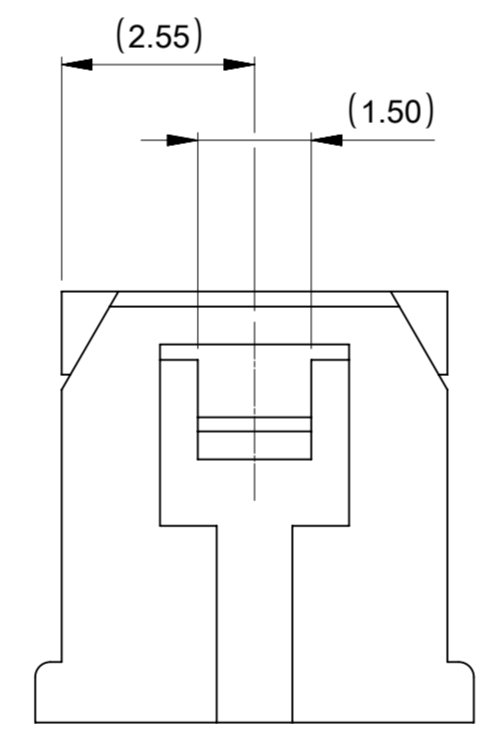
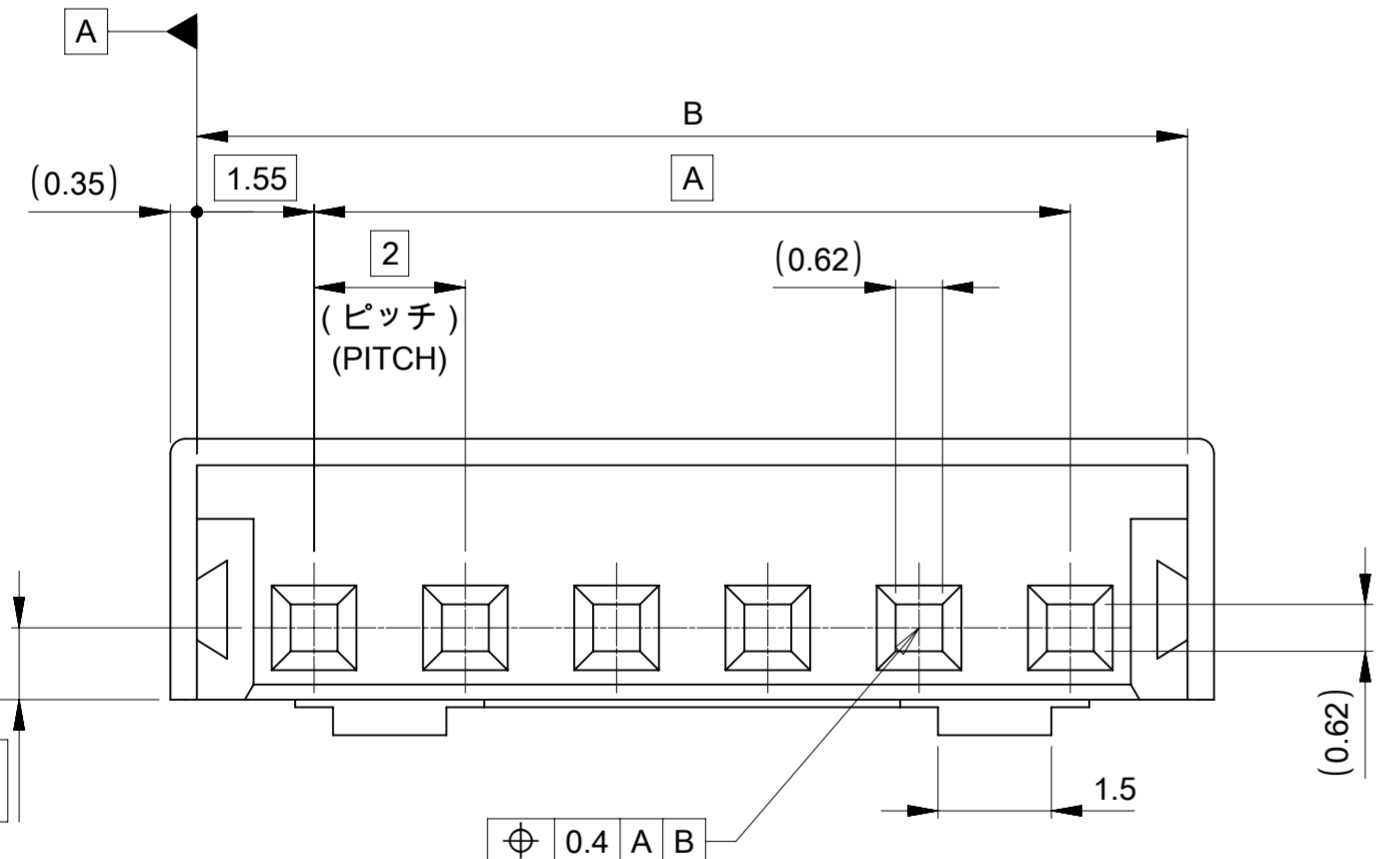
- ① 材質 : TABLE 1
MATERIAL : TABLE 1
- ② 適用製品及び各種仕様書はSHEET 2 をご参考ください。
PLEASE REFER TO SHEET 2 FOR APPLICABLE PRODUCTS AND VARIOUS SPECIFICATIONS.
- ③ トレードマーク : Mプラス1~2文字の製造工場を表すアルファベットにて構成。
但し、"J"はJAPANを示す。(例: MXJ)
TRADE MARK: M AND THE NEXT 1~2 MORE LETTERS SHOW MANUFACTORY WHEN "J" MEANS JAPAN. (e.g. MXJ)
- ④ オーダー番号 ORDER NO
51065**0*

極数
CKT SIZE

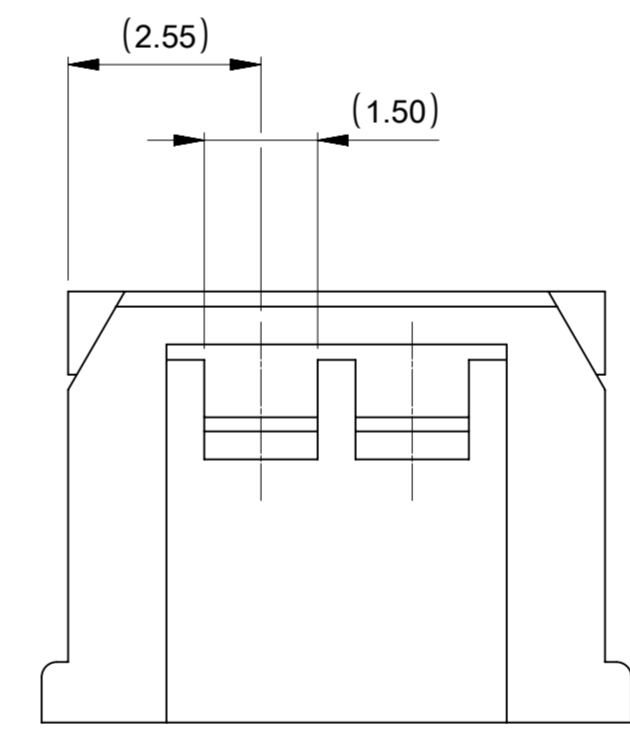
色番号 COLOR CODE	
0	ナチュラル(白) NATURAL (WHITE)
1	黒 BLACK



ターミナル装着状態図
TERMINAL ASSEMBLY DRAWING



2極の場合
FOR 2 CKT



3極の場合
FOR 3 CKT

NOM	TOL	NOM	TOL	NOM	色 COLOR	極数 CIRCUITS
31.8	±0.30	31.1	±0.30	28	//	510651500 15
29.8		29.1		26		510651400 14
27.8		27.1		24		510651300 13
25.8		25.1		22		510651200 12
23.8		23.1		20		510651100 11
21.8		21.1		18		510651000 10
19.8		19.1		16		510650900 9
17.8		17.1		14		510650800 8
15.8		15.1		12		510650700 7
13.8		13.1		10		510650600 6
11.8		11.1		8		510650500 5
9.8		9.1		6		510650400 4
7.8	±0.20	7.1	±0.20	4		510650300 3
5.8		5.1		2		510650201 510650200 2
					黒 BLACK	ナチュラル(白) NATURAL (WHITE)
					④ オーダー番号 ORDER NO	梱包形態: ポリ袋 PACKAGING: POLYBAG

THIS DRAWING CONTAINS INFORMATION THAT IS PROPRIETARY TO MOLEX ELECTRONIC TECHNOLOGIES, LLC AND SHOULD NOT BE USED WITHOUT WRITTEN PERMISSION

DIMENSION UNITS	SCALE	CURRENT REV DESC: REVISED	
mm	NTS		
GENERAL TOLERANCES (UNLESS SPECIFIED)			
ANGULAR TOL	± 3.0°	EC NO: 641795	
4 PLACES	± 0.2	DRWN: HHUSSIN	2020/06/30
3 PLACES	± 0.2	CHK'D: SAKIYAMA	2020/08/19
2 PLACES	± 0.2	APPR: KOMURAKAMI	2020/08/20
1 PLACE	± 0.2	INITIAL REVISION:	
0 PLACES	± 0.2	DRWN: HHUSSIN	2019/10/23
DRAFT WHERE APPLICABLE MUST REMAIN WITHIN DIMENSIONS		APPR: KOMURAKAMI	2020/05/01
THIRD ANGLE PROJECTION		DRAWING	SERIES
		A2-SIZE	51065
		MATERIAL NUMBER	CUSTOMER
		SEE CHART	GENERAL
		DOCUMENT NUMBER	DOC TYPE DOC PART REVISION
		510650000-SD	PSD 000 A1
		SHEET NUMBER	
		1 OF 2	

① TABLE 1

部品 PART	材質 MATERIAL
ハウジング HOUSING	POLYESTER (PBT), UL94V-0 COLOR: SEE CHART

△ 適用製品及び各種仕様書
 APPLICABLE PRODUCTS AND VARIOUS SPECIFICATIONS

梱包仕様書 PACKING SPECIFICATION	PART NUMBER	SPECIFICATION NUMBER
	51065**0*	SPK-51065-001

適用端子 APPLICABLE TERMINAL	PART NUMBER	PLATING TYPE	WIRE SIZE (AWG)
	502128*00	TIN	#24-30
	503728*00		#22-26
593548081	GOLD	#24-30	

適用嵌合相手 MATE WITH	THROUGH HOLE		
	TIN PLATING		GOLD PLATING
	VERTICAL	RIGHT ANGLE	VERTICAL
シリーズ番号 SERIES NO	53253	53254	502603
製品仕様書 PRODUCT SPECIFICATION	510650000-PS/PS/000		510650001-PS/PS/000

製品嵌合図は各"適用嵌合相手"図面参照のこと
 MATING VIEW : REFER TO EACH "MATE WITH" PART DRAWING

THIS DRAWING CONTAINS INFORMATION THAT IS PROPRIETARY TO MOLEX ELECTRONIC TECHNOLOGIES, LLC AND SHOULD NOT BE USED WITHOUT WRITTEN PERMISSION									
DIMENSION UNITS	SCALE	CURRENT REV DESC: REVISED				molex			
mm	NTS					MICRO-LATCH 2.0 WTB HSG			
GENERAL TOLERANCES (UNLESS SPECIFIED)						PRODUCT CUSTOMER DRAWING			
ANGULAR TOL	± 3.0°	EC NO: 641795				DOCUMENT NUMBER 510650000-SD DOC TYPE PSD DOC PART 000 REVISION A1			
4 PLACES	± 0.2	DRWN: HHUSSIN 2020/06/30							
3 PLACES	± 0.2	CHK'D: SAKIYAMA 2020/08/19							
2 PLACES	± 0.2	APPR: KOMURAKAMI 2020/08/20							
1 PLACE	± 0.2	INITIAL REVISION: DRWN: HHUSSIN 2019/10/23							
0 PLACES	± 0.2	APPR: KOMURAKAMI 2020/05/01							
DRAFT WHERE APPLICABLE MUST REMAIN WITHIN DIMENSIONS	THIRD ANGLE PROJECTION	DRAWING	SERIES	MATERIAL NUMBER	CUSTOMER	SHEET NUMBER			
		A2-SIZE	51065	SEE CHART	GENERAL	2 OF 2			