

PLEASE CHECK WWW.MOLEX.COM FOR LATEST PART INFORMATION

Part Number: [0192000024](#)
Status: **Active**
Overview: [Splices](#)
Description: Avikrimp Seamless Butt Splice for 10-12 AWG Wire, Super Duty, Tape

Documents:

Drawing (PDF)	Product Specification PS-19902-015-001 (PDF)
Product Specification PS-19902-011-001 (PDF)	RoHS Certificate of Compliance (PDF)

General

Product Family	Splices
Series	19200
Comments	Yellow, Yellow
Crimp Quality Equipment	Yes
Mil-Spec	N/A
Overview	Splices
Product Name	Avikrimp
UPC	800756726717

Physical

Barrel Type	Closed
Color - Resin	Yellow
Insulation	Nylon (PA)
Material - Metal	Copper
Material - Plating Mating	Tin
Material - Plating Termination	Tin
Net Weight	4.064/g
Packaging Type	Embossed Tape on Reel
Temperature Range - Operating	105°C
Wire Insulation Diameter	5.84mm
Wire Size AWG	10, 12

Electrical

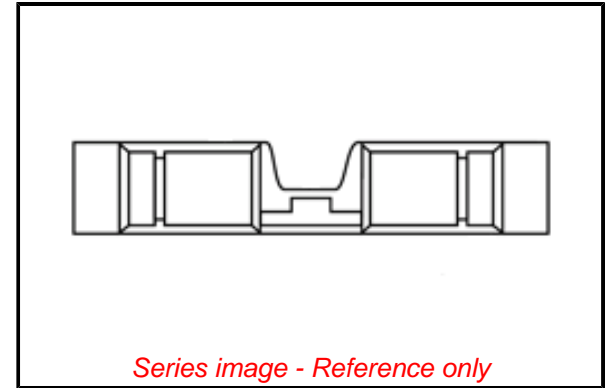
Voltage - Maximum	600V
-------------------	------

Material Info

Engineering Number	CS-846T
--------------------	---------

Reference - Drawing Numbers

Product Specification	PS-19902-011-001, PS-19902-015-001
Sales Drawing	SD-19200-001



EU ELV

Not Relevant

EU RoHS

Compliant

REACH SVHC

Not Contained Per
-ED/88/2018 (15
January 2019)

Halogen-Free

Status

Low-Halogen

For more information, please visit [Contact US](#)

China ROHS

Not Relevant

ELV

Not Relevant

RoHS Phthalates

Not Contained

Search Parts in this Series

[19200 Series](#)

Application Tooling | [FAQ](#)

Tooling specifications and manuals are found by selecting the products below. Crimp Height Specifications are then contained in the Application Tooling Specification document.

Global

Description

Product #

ATP Crimp Dies
for the Tape Crimp
Module and ATP-101
& 301 Press

[192880174](#)