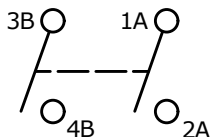


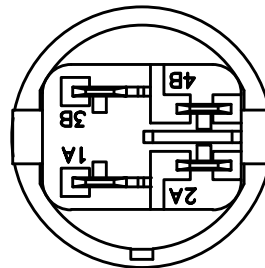
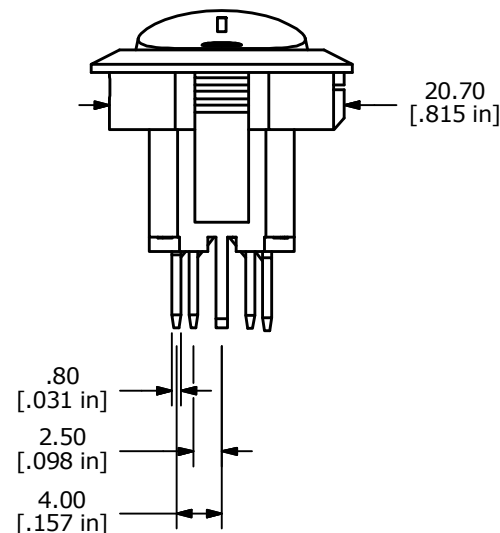
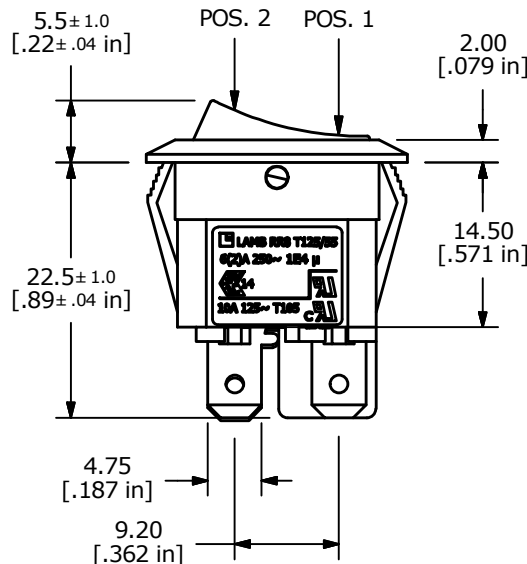
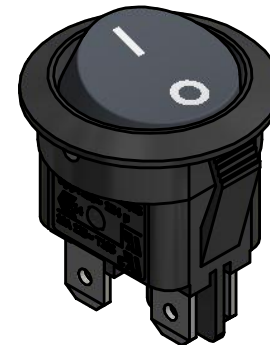
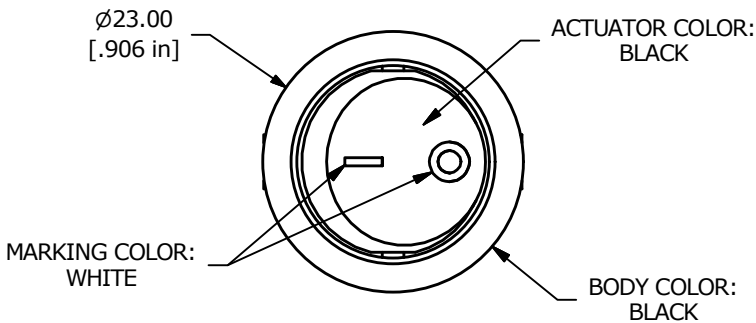
▲ PANEL CUTOUT

PANEL THICKNESS	(X) DIM.
0.75 TO 1.25	20.2mm
1.25 TO 2.00	20.4mm
2.00 TO 3.00	20.6mm

SWITCH FUNCTION	
POS. 1	POS. 2
OFF	ON
OPEN	3B-4B, 1A-2A



CIRCUIT: DPST  
FUNCTIONS  
▲ OFF - ON



- NOTE:
- DIMENSIONS IN MM [INCH]
  - GENERAL TOLERANCE: X.X = ± 0.4  
X.XX = ± 0.25
  - TERMINAL NUMBERS FOR REF ONLY
  - CONTACT MATERIAL: SILVER
  - CONTACT RATING: 10A 125VAC [UR, cUR]  
6(2)A @ 250V~ μ I E4 T125/55 [ENEC14]
  - CONTACT RESISTANCE: 35mΩ MAX. @ 50VAC
  - INSULATION RESISTANCE: 100MΩ MIN. @ 500VAC
  - DIELECTRIC STRENGTH: 1,500VAC FOR 1 MINUTE
  - ELECTRICAL LIFE: 6,000 CYCLES [UR, cUR]  
10,000 CYCLES [ENEC14; 10(4)A 250V~]
  - OPERATING TEMPERATURE: -20°C TO 105°C [UR, cUR]  
-20°C TO 125°C [ENEC14]
  - ▲ DENOTES CRITICAL PARAMETER
  - 2011/65/EU (ROHS) COMPLIANT



G	23471	REMOVED SEMKO RATING	7/24/18	MJR
F	22414	UPDATED CONTACT RATING	7/28/16	MJR
REV	PCR NO	DESCRIPTION	DATE	BY

TITLE RR81231121				
SCALE 3:2	DATE 3/8/2012	DR BGL	DWG 38-RR81231121	REV G

THE INFORMATION CONTAINED IN THIS DOCUMENT IS PROPRIETARY TO E-SWITCH AND IS NOT TO BE COPIED OR TRANSFERRED