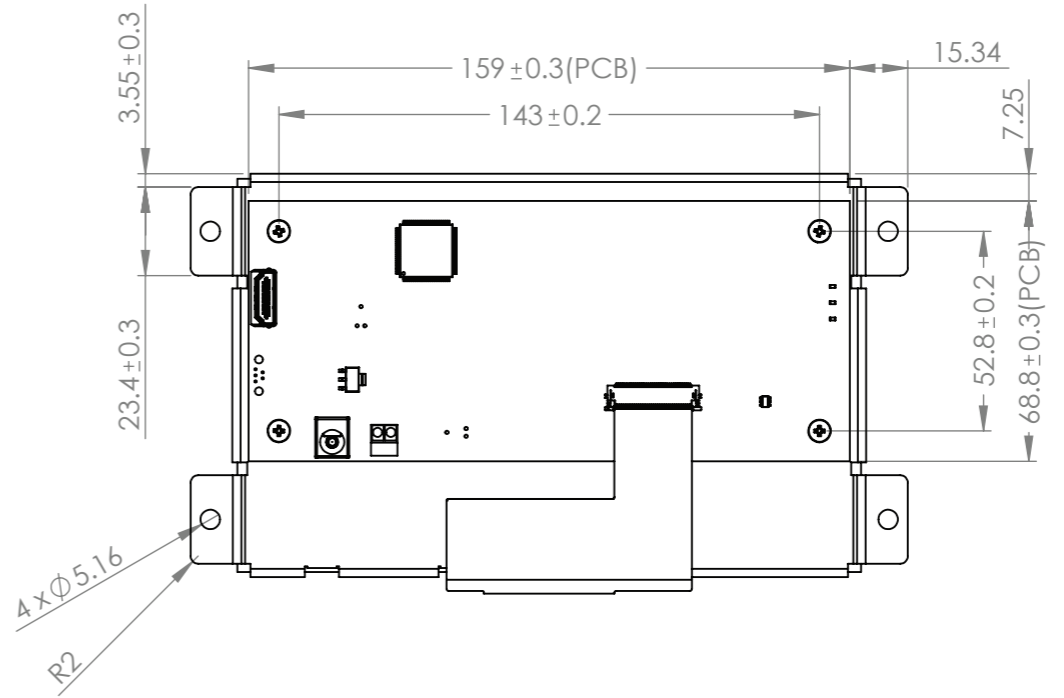
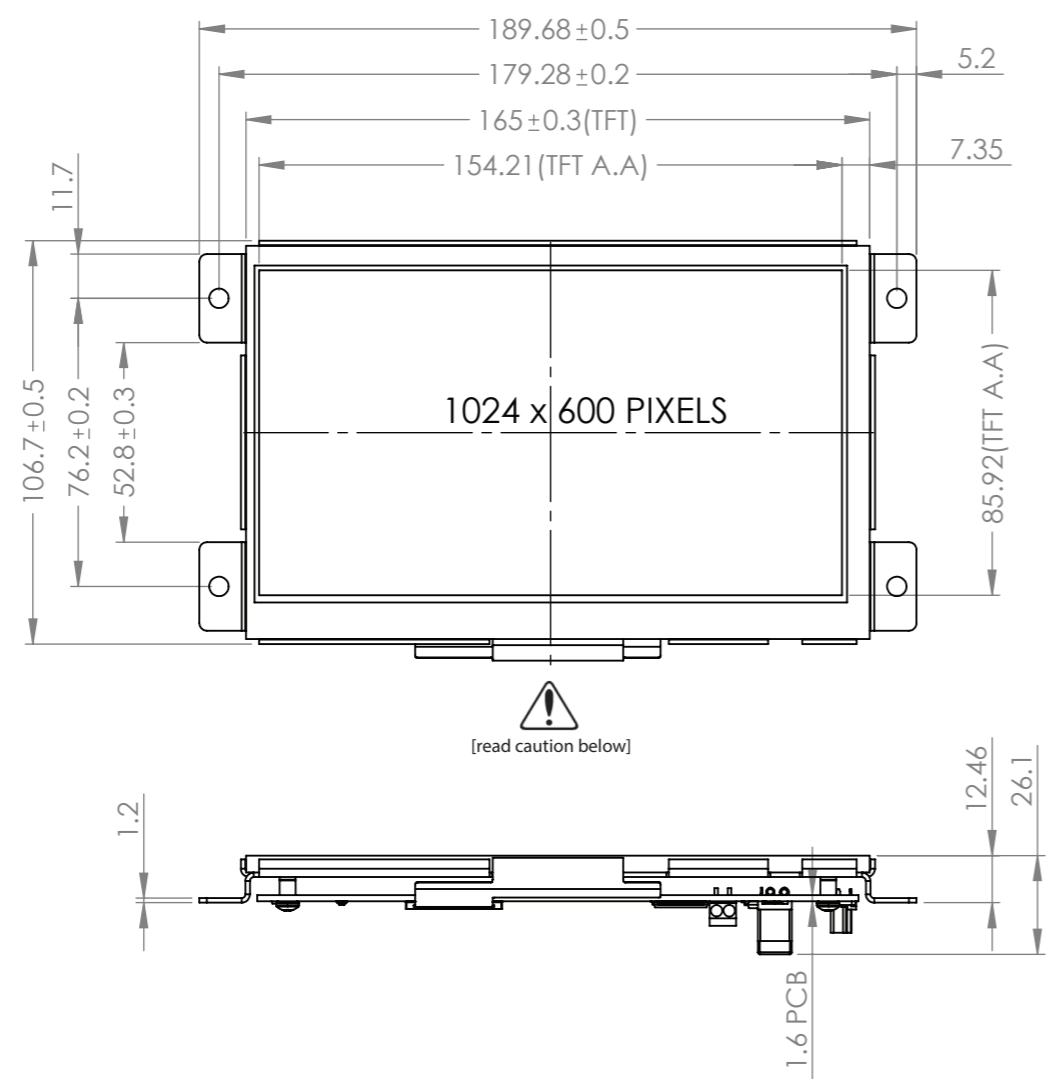


1	2	3	4	5	6	7	8
---	---	---	---	---	---	---	---

SYMBOL	REVISION	DATE



- NOTES:
- 7.0" HDMI TFT Module
 - On-board Texas Instruments TFP401A HDMI/DVI Receiver
 - Optimal Viewing Direction: Full View (IPS)
 - Display Mode: Transmissive / Normally White / Anti-Glare
 - Brightness: 1100 cd/m² (Typ)
 - 3M Brightness Enhancement Film
 - On-board Texas Instruments TPS61165 High Brightness LED Driver w/ PWM
 - 4x Mounting Holes, compatible with Rack Unit (RU) spacing

Improper handling of the FPC connection at the bottom edge of this module may cause damage resulting in display failure. Take special care when handling this area of the display module to make sure this connection is never strained nor creased.

STANDARD TOLERANCE: (UNLESS OTHERWISE SPECIFIED)		
LINEAR: ±0.3mm	DRAWING/PART NUMBER: NHD-7.0-HDMI-HR-RSXP	REVISION: -
UNLESS OTHERWISE SPECIFIED: - DIMENSIONS ARE IN MILLIMETERS - THIRD ANGLE PROJECTION	DRAWN BY: P. Bartek	APPROVED BY: M. LaVine
	DRAWN DATE: 05/29/19	APPROVED DATE: 05/31/19
	DO NOT SCALE DRAWING	
	SHEET 1 OF 1	
THIS DRAWING IS SOLELY THE PROPERTY OF NEWHAVEN DISPLAY INTERNATIONAL, INC. THE INFORMATION IT CONTAINS IS NOT TO BE DISCLOSED, REPRODUCED OR COPIED IN WHOLE OR PART WITHOUT WRITTEN APPROVAL FROM NEWHAVEN DISPLAY.		

1	2	3	4	5	6	7	8
---	---	---	---	---	---	---	---