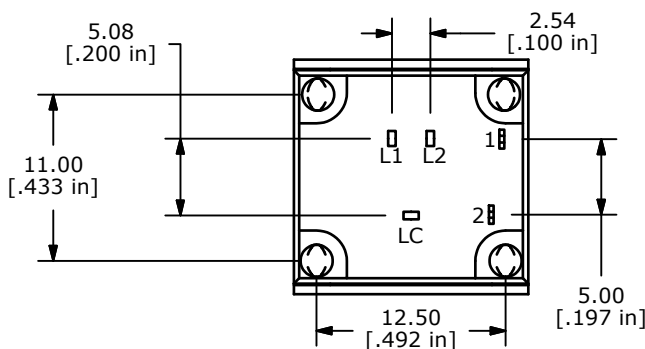
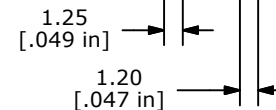
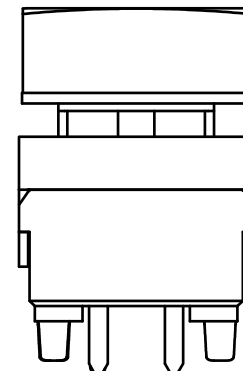
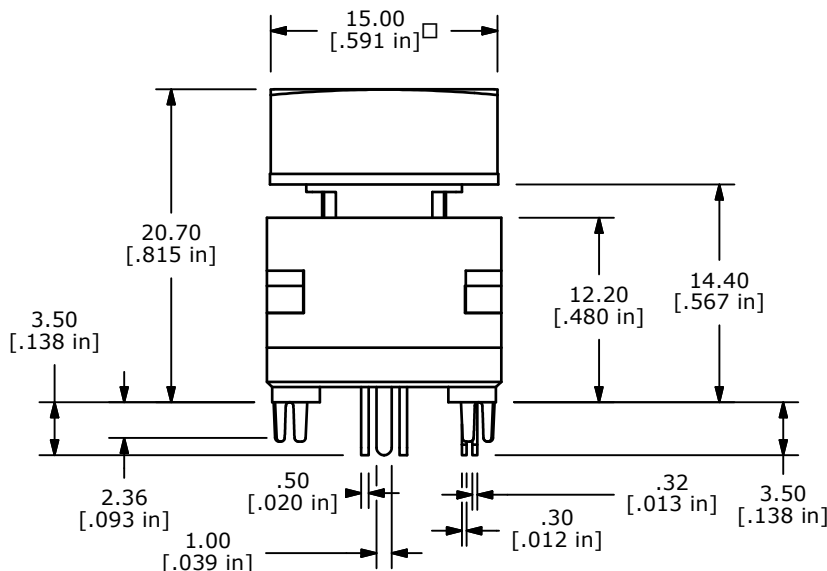


**LED SCHEMATIC**



- NOTES:**
1. ALL DIMENSIONS IN MM [INCH]
  2. GENERAL TOLERANCE: X.X±0.4  
X.XX±0.25
  3. TERM. NOS. FOR REFERENCE ONLY.
  4. RATING: 12VDC, 12mA; SPST
  5. CONTACT MATERIAL: GOLD
  6. CONTACT RESISTANCE: 50 Milli-OHM MAX.
  7. INSULATION RESISTANCE: 500VDC, 100 Mega-OHM MIN.
  - ▲ 8. OPERATING FORCE: 150±100GF
  9. OPERATING LIFE: 200,000 CYCLES
  10. OPERATING TEMP: -20°C TO +70°C
  - ▲ 11. LED COLORS: WHITE, WHITE
  12. TRAVEL: 2.20mm±0.20
  13. 2002/95/EC (ROHS) COMPLIANT
  14. ▲ DENOTES CRITICAL PARAMETER.

▲ LED SPECS	UNITS	WHITE
FORWARD CURRENT	mA	20
FORWARD VOLTAGE @20mA	VDC	3.2-3.7
LUMINOUS INTENSITY @ 10mA	mcd	78.5



A	19816	RELEASE FOR PRODUCTION	4/06/11	BGL
REV	PCR NO	DESCRIPTION	DATE	BY

<b>TITLE LP60A1ASWW</b>				
SCALE	DATE	DR	DWG	REV
2:1	4/6/2011	BGL	B220009	A

THE INFORMATION CONTAINED IN THIS DOCUMENT IS PROPRIETARY TO E-SWITCH AND IS NOT TO BE COPIED OR TRANSFERRED