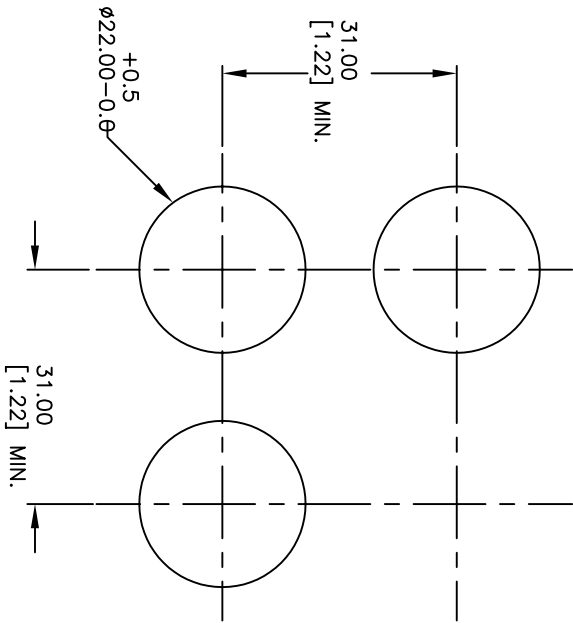


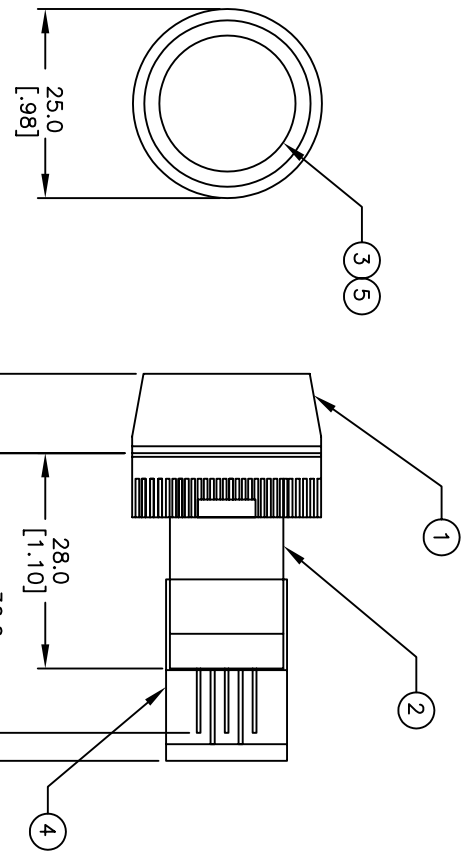
Item	Qty.	Dwg. No.	Part No.
1	1	F051702	25mm RING FOR LA SERIES
2	1	F060621	LAKOAV110 (BODY)
3	1	F061256	25mm YELLOW LENS
4	1	F051601	P16 PLASTIC TERMINAL PROTECTOR
5	1	F050421	50-004-20 (YELLOW LED)



RECOMMENDED PANEL MOUNTING

1 0 1 0 2
 3 0 0 4
 a-L-b (+)

SPST
 CONTACT CONFIGURATION



- NOTES:
1. ALL DIMENSIONS IN MM
 2. GENERAL TOLERANCE: X.X=±0.4
X.XX=±0.25
 3. RATINGS: 5A @250V AC;
8A @125V AC
 4. CONTACT MATERIAL:
COPPER ALLOY W/Silver Plating
 5. LAMP VOLTAGE: 12V DC

REV.	ECN No.	DESCRIPTION	DATE	CHKD
A	15166	RELEASED FOR PRODUCTION	8/11/05	PV

TITLE	SCALE	DATE	DR	DWG	REV
LAKOAV11JYEL YEL	1:1	8/11/05	PV	XF0640P	A



THE INFORMATION CONTAINED IN THIS DOCUMENT IS PROPRIETARY TO E-SWITCH AND IS NOT TO BE COPIED OR TRANSFERRED