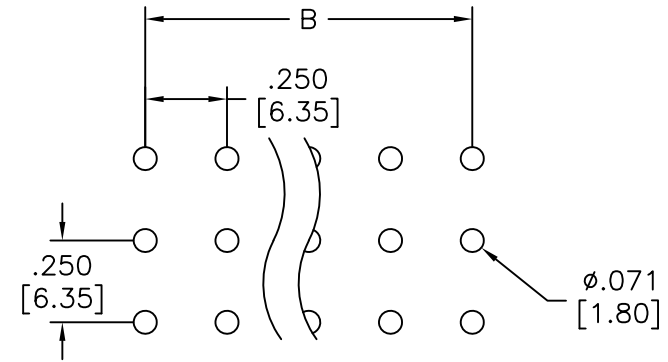
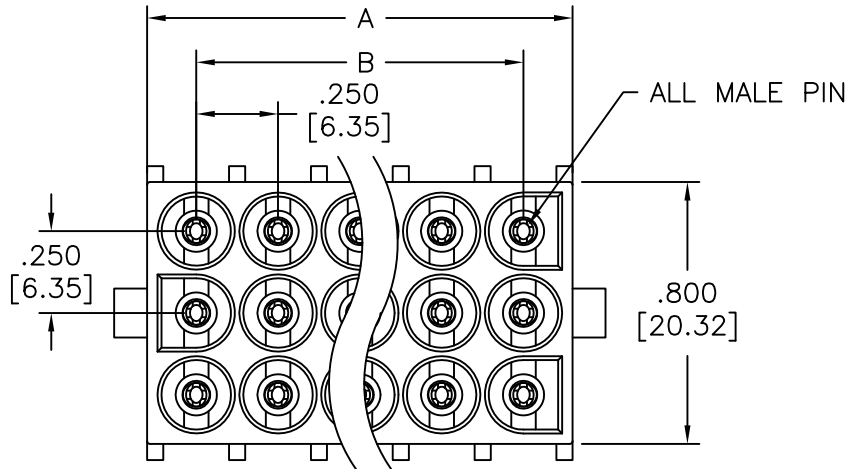
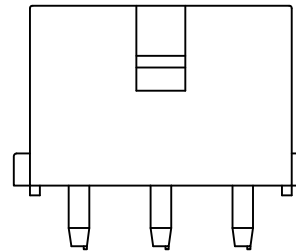
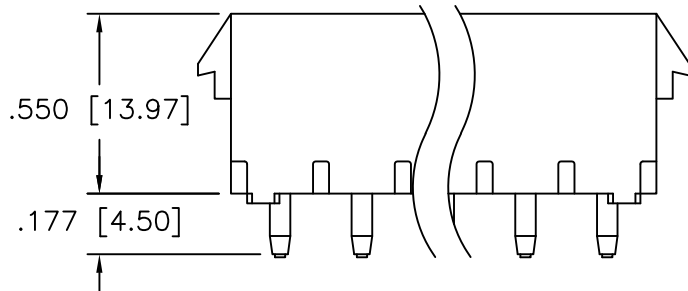


APPROVED: \_\_\_\_\_  
 DATE: \_\_\_\_\_ TITLE: \_\_\_\_\_

Rev	AWO #	Description	Date	Appr
-		RELEASED	1/14/11	
A		ADDED SPEC.	7/25/11	
B		UPDATE SPEC.	11/11/19	AY/EY



Recommended PCB Layout



**SPECIFICATIONS:**

Material:  
 Insulator: Nylon 66, rated UL 94V-0  
 Insulator color: White  
 Contacts: Phosphor Bronze, Tin plated  
 Electrical:  
 Operating voltage: 600 VAC max  
 Current rating: 13 Amps max.  
 Insulation resistance: 1000 Mohms min @ 500 VDC  
 Dielectric withstanding voltage: 5000 VAC for 1 minute  
 Temperature Rating:  
 Operating temperature: -55°C to +105°C  
 Environmental:  
 Lead free, RoHS compliant.



$A = .250 [6.35] \times \text{No. of Positions} + .050 [1.27]$   
 $B = .250 [6.35] \times \text{No. of Spaces}$

UNLESS OTHERWISE SPECIFIED ALL DIMENSIONS ARE MM [INCHES] TOLERANCES: EXCEPT AS NOTED		<b>ADAM TECH</b>		909 Rahway Avenue, Union, NJ 07083 Phone: 908-687-5000 Fax: 908-687-5710	
INCHES		HOLES		TITLE WIRE TO BOARD, FEMALE, 6.35mm PITCH WITHOUT POLARIZING	
.X ± .10	∅.X ± .10	<b>INTERCONNECTS</b>			
.XX ± .020	∅.XX ± .015				
.XXX ± .015	∅.XXX ± .010	APPROVALS		DATE	
DRAWN	DY			1/14/11	
CHECKED					
APPROVED					
SIZE X	PART NO. DME-XX-S-SQ-V0	REV. B		REF: S000123T	
SCALE: NTS		SHEET 1 OF 2			

6

5

4

3

2

1

APPROVED: \_\_\_\_\_

DATE: \_\_\_\_\_ TITLE: \_\_\_\_\_

Rev	AWO #	Description	Date	Appr
-----	-------	-------------	------	------

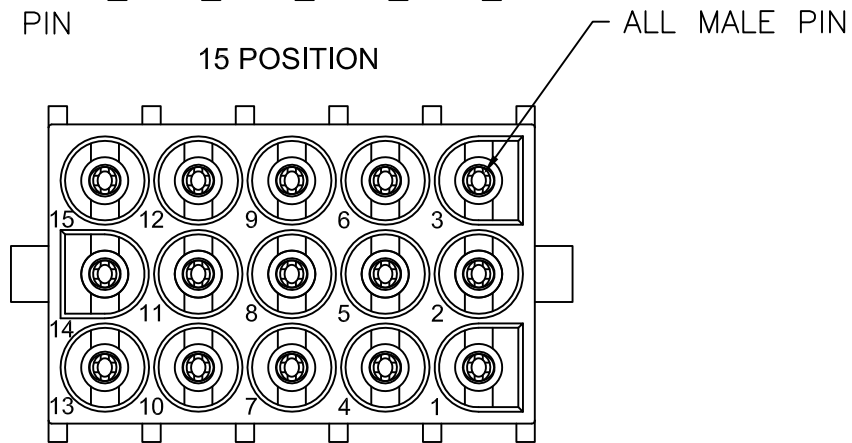
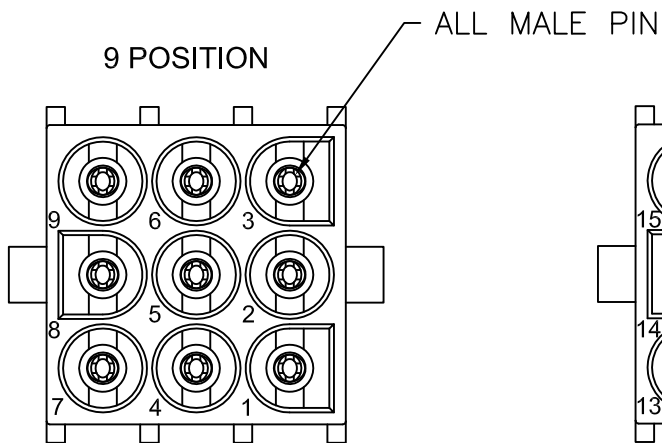
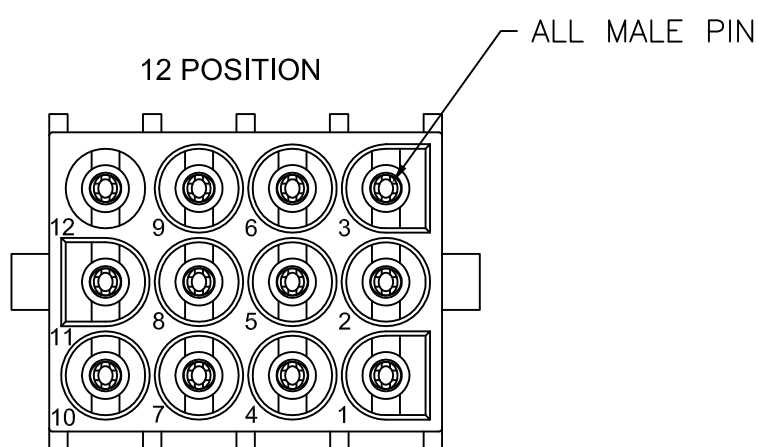
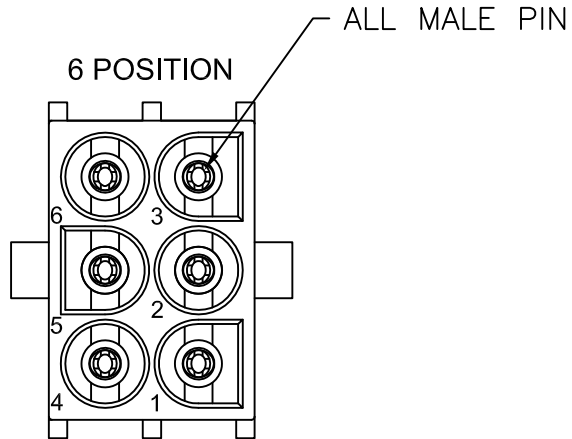
SEE SHT 1 OF 2 FOR REVISION

D

C

B

A



UNLESS OTHERWISE SPECIFIED  
 ALL DIMENSIONS ARE INCHES [MM]  
 TOLERANCES: EXCEPT AS NOTED  
 INCHES HOLES  
 .X ± .10 Ø.X ± .10  
 .XX ± .020 Ø.XX ± .015  
 .XXX ± .015 Ø.XXX ± .010

**ADAM**  
**TECH**  
**INTERCONNECTS**

909 Rahway Avenue,  
 Union, NJ 07083  
 Phone: 908-687-5000  
 Fax: 908-687-5710

APPROVALS		DATE
DRAWN	DY	1/14/10
CHECKED		
APPROVED		

TITLE WIRE TO BOARD, FEMALE, 6.35mm PITCH  
 WITHOUT POLARIZING

SIZE X	PART NO. DME-XX-S-SQ-V0	REV. B
REF: S000123T	SCALE: NTS	SHEET 2 OF 2

6

5

4

3

2

1