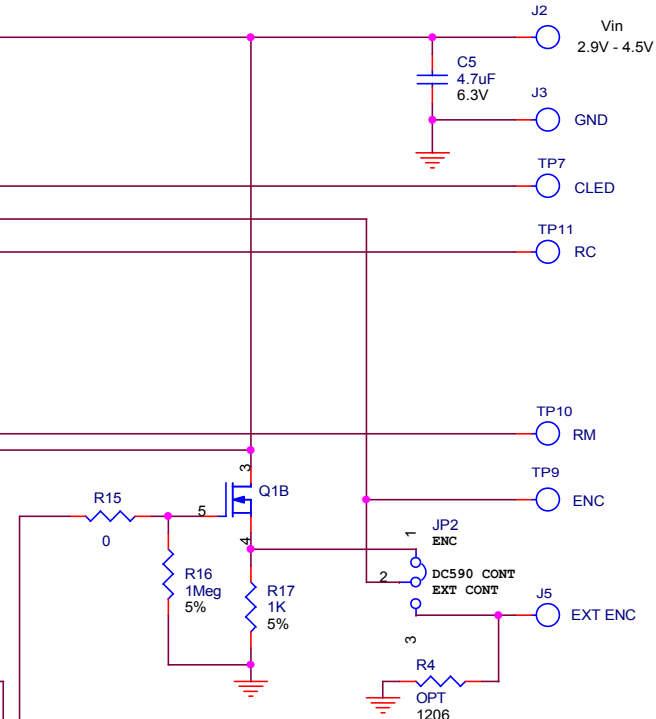


NOTES: UNLESS OTHERWISE SPECIFIED

1. ALL RESISTORS ARE IN OHMS, 0402.

* VERSION TABLE

Assembly Version	U1	D1-D3	D4
DC1071A-A	LTC3210EUD-2	NSCW100	NSCW100
DC1071A-B	LTC3210EUD-3	NSCW100	NOT USED



CUSTOMER NOTICE

LINEAR TECHNOLOGY HAS MADE A BEST EFFORT TO DESIGN A CIRCUIT THAT MEETS CUSTOMER -SUPPLIED SPECIFICATIONS; HOWEVER IT REMAINS THE CUSTOMER'S RESPONSIBILITY TO VERIFY PROPER AND RELIABLE OPERATION IN THE ACTUAL APPLICATION. COMPONENT SUBSTITUTION AND PRINTED CIRCUIT BOARD LAYOUT MAY SIGNIFICANTLY AFFECT CIRCUIT PERFORMANCE OR RELIABILITY. CONTACT LINEAR TECHNOLOGY APPLICATIONS ENGINEERING FOR ASSISTANCE.

THIS CIRCUIT IS PROPRIETARY TO LINEAR TECHNOLOGY AND SUPPLIED FOR USE WITH LINEAR TECHNOLOGY PARTS.

WARNING: The LEDs on this demo board produce very bright light. Do not look directly at LEDs when power is applied. Serious eye damage may occur.

LINEAR TECHNOLOGY CORPORATION

1630 McCarthy Blvd.
 Milpitas, CA. 95035
 Phone : (408) 432-1900 Fax : (408) 434-0507

Title: **LTC3210EUD-2/3 MAIN/CAM LED Controller**

Size: Custom Document Number: **DC1071A** Rev:

Date: Wednesday, April 05, 2006 Sheet 1 of 1