



LAYOUT SHOWN AS EXAMPLE

Keying Shown as example

**CHARACTERISTICS**

- Standard : Based on MIL-DTL-38999 Series III
- Shell Material : Composite
- Shell Plating : Olive drab Cadmium
- Insulator : Thermoplastic
- Contacts : Copper Alloy
- Seals & Grommet : Silicon Elastomer
- Contact Plating : Gold over copper Alloy 0.8µm minimum
- Durability : 500 Mating cycles
- Delivered with Souriau contacts and Accessories
- Temperature Range : -65°C to +175°C
- Salt Spray : 2000 hours

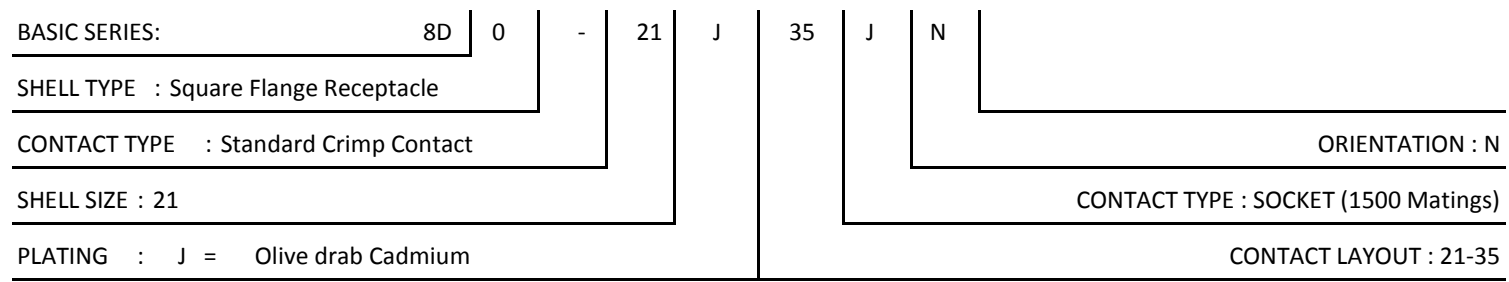
Connector dimension	
Dim	Nominal
P	3.25±0.2
PP	4.93±0.2
R1	31.75
R2	29.36
S	39.7±0.3
V'	18.7+1.4/-0
W'	2.1/4.35
Z'	32 Max
VV THREAD	M31x1-6g

SOURIAU shall not be liable for any non-conformity or damage due to a use of the Products which does not comply with the Specifications issued by either of the Parties or by a third party (professional recommendation, technical notice.)

Country	Jurisdiction & Control List
FR	Not Listed

**PN: 8D021J35JN**

A	02-11-2016	First Release	
ISS	DATE	Latest modification - by	MOD N°
Designed By:		Date:	<b>CUSTOMER DRAWING</b>
<b>TITLE</b>	<b>Composite Receptacle 8D series</b>		
SCALE		General linear Tolerances: ±--	NPRDS / PROJECT <b>859</b>
NA			This document is the property of SOURIAU it must not be reproduced or communicated without permission
<b>SOURIAU</b>	<b>WWW.SOURIAU.COM</b>		
FORMAT	<b>SOURIAU DRG N° 8D021J35JN-C</b>		SHEET 1/2



Contact Layout

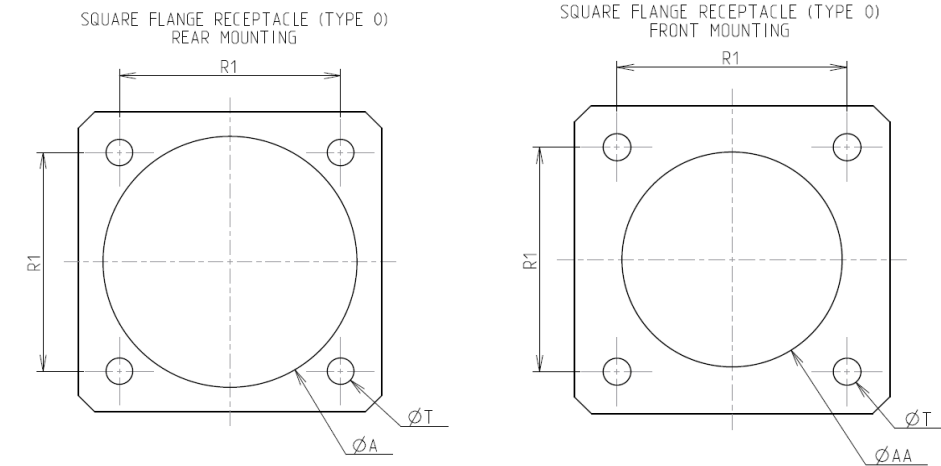


Contacts (Insert arrangement 21-35)					
Contact position ID	Location		Contact position ID	Location	
	X-axis (mm)	Y-axis (mm)		X-axis (mm)	Y-axis (mm)
1	+053 (1.35)	+426 (10.82)	41	-098 (2.49)	-322 (8.18)
2	+146 (3.71)	+404 (10.26)	42	-184 (4.67)	-280 (7.11)
3	+232 (5.89)	+362 (9.19)	43	-258 (6.55)	-220 (5.59)
4	-306 (7.77)	+302 (7.67)	44	-311 (7.90)	-141 (3.58)
5	+365 (9.27)	+227 (5.77)	45	-332 (8.43)	-048 (1.22)
6	+406 (10.31)	+141 (3.58)	46	-332 (8.43)	+048 (1.22)
7	+427 (10.85)	+048 (1.22)	47	-311 (7.90)	+141 (3.58)
8	+427 (10.85)	-048 (1.22)	48	-258 (6.55)	+220 (5.59)
9	+406 (10.31)	-141 (3.58)	49	-184 (4.67)	+280 (7.11)
10	+365 (9.27)	-227 (5.77)	50	-098 (2.49)	+322 (8.18)
11	+306 (7.77)	-302 (7.67)	51	-048 (1.22)	+241 (6.12)
12	+232 (5.89)	-362 (9.19)	52	+048 (1.22)	+241 (6.12)
13	+146 (3.71)	-404 (10.26)	53	+134 (3.40)	+199 (5.05)
14	+053 (1.35)	-426 (10.82)	54	+208 (5.28)	+139 (3.53)
15	-053 (1.35)	-426 (10.82)	55	+237 (6.02)	+048 (1.22)
16	-146 (3.71)	-404 (10.26)	56	+237 (6.02)	-048 (1.22)
17	-232 (5.89)	-362 (9.19)	57	+208 (5.28)	-139 (3.53)

Contacts (Insert arrangement 21-35)					
Contact position ID	Location		Contact position ID	Location	
	X-axis (mm)	Y-axis (mm)		X-axis (mm)	Y-axis (mm)
18	-306 (7.77)	-302 (7.67)	58	+134 (3.40)	-199 (5.05)
19	-365 (9.27)	-227 (5.77)	59	+048 (1.22)	-241 (6.12)
20	-406 (10.31)	-141 (3.58)	60	-048 (1.22)	-241 (6.12)
21	-427 (10.85)	-048 (1.22)	61	-134 (3.40)	-199 (5.05)
22	-427 (10.85)	+048 (1.22)	62	-208 (5.28)	-139 (3.53)
23	-406 (10.31)	+141 (3.58)	63	-237 (6.02)	-048 (1.22)
24	-365 (9.27)	+227 (5.77)	64	-237 (6.02)	+048 (1.22)
25	-306 (7.77)	+302 (7.67)	65	-208 (5.28)	+139 (3.53)
26	-232 (5.89)	+362 (9.19)	66	-134 (3.40)	+199 (5.05)
27	-146 (3.71)	+404 (10.26)	67	-048 (1.22)	+146 (3.71)
28	-053 (1.35)	+426 (10.82)	68	+048 (1.22)	+146 (3.71)
29	+000 (0.00)	+323 (8.20)	69	+125 (3.18)	+090 (2.29)
30	+098 (2.49)	-322 (8.18)	70	+155 (3.94)	+000 (0.00)
31	+184 (4.67)	-280 (7.11)	71	+125 (3.18)	-090 (2.29)
32	+258 (6.55)	-220 (5.59)	72	+048 (1.22)	-146 (3.71)
33	+311 (7.90)	+141 (3.58)	73	-048 (1.22)	-146 (3.71)
34	+332 (8.43)	+048 (1.22)	74	-125 (3.18)	-090 (2.29)
35	+332 (8.43)	-048 (1.22)	75	-155 (3.94)	+000 (0.00)
36	+311 (7.90)	-141 (3.58)	76	-125 (3.18)	+090 (2.29)
37	+258 (6.55)	-220 (5.59)	77	+000 (0.00)	+053 (1.35)
38	+184 (4.67)	-280 (7.11)	78	+048 (1.22)	-029 (0.74)
39	+098 (2.49)	-322 (8.18)	79	-048 (1.22)	-029 (0.74)
40	+000 (0.00)	-347 (8.81)	---	---	---

(Applicable to MIL-DTL-38999 only)						
Shell size	Arrangement no.	Number of contacts	Size contacts	Service rating	Contact location	Supersedes
21	-35	79	22D	M	ALL	MS27531-35

Panel Cutout



Dim	Nominal
ØA	36.12 min
ØAA	32.16 min
R1	31.75
ØT	3.25 ±0.13

SOURIAU shall not be liable for any non-conformity or damage due to a use of the Products which does not comply with the Specifications issued by either of the Parties or by a third party (professional recommendation, technical notice.)

Country	Jurisdiction & Control List
FR	Not Listed

PN: 8D021J35JN

A	02-11-2016	First Release	
ISS	DATE	Latest modification - by	MOD N°
Designed By:		Date:	<b>CUSTOMER DRAWING</b>
<b>TITLE</b>		Composite Receptacle 8D series	
SCALE	NA	General linear Tolerances: ±--	NPRDS / PROJECT <b>859</b>
<b>SOURIAU</b>		WWW.SOURIAU.COM	
			This document is the property of SOURIAU it must not be reproduced or communicated without permission
FORMAT	<b>SOURIAU DRG N° 8D021J35JN-C</b>		SHEET 2/2