



LAYOUT SHOWN AS EXAMPLE

Keying Shown as example

**CHARACTERISTICS**

- Standard : Based on MIL-DTL-38999 Series III
- Shell Material : Aluminium
- Shell Plating : Nickel
- Insulator : Thermoplastic
- Contacts : Copper Alloy
- Seals & Grommet : Silicon Elastomer
- Contact Plating : Gold over copper Alloy 0.8µm minimum
- Durability : 500 Mating cycles
- Delivered without Souriau contacts
- Temperature Range : -65°C to +200°C
- Salt Spray : 48 hours
- Mass : 30.87 g ± 10%

| Connector dimension |               |
|---------------------|---------------|
| Dim                 | Nominal       |
| P                   | 3.25±0.2      |
| PP                  | 4.93±0.2      |
| R1                  | 31.75         |
| R2                  | 29.36         |
| S                   | 39.7±0.3      |
| V                   | 20.07+0/-1.25 |
| W                   | 2.1/3.2       |
| Z                   | 31.5 Max      |
| VV THREAD           | M31x1-6g      |

SOURIAU shall not be liable for any non-conformity or damage due to a use of the Products which does not comply with the Specifications issued by either of the Parties or by a third party (professional recommendation, technical notice.)

|         |                             |
|---------|-----------------------------|
| Country | Jurisdiction & Control List |
| FR      | Not Listed                  |

**PN: 8D021F41PCL**

|                |                                       |                                |   |
|----------------|---------------------------------------|--------------------------------|---|
| A              | 02-11-2016                            | First Release                  |   |
| ISS            | DATE                                  | Latest modification - by       | MOD N°  |
| Designed By:   |                                       | Date:                          | <b>CUSTOMER DRAWING</b>   |
| <b>TITLE</b>   | <b>Aluminium Receptacle 8D series</b> |                                |   |
| SCALE          | NA                                    | General linear Tolerances: ±-- | NPRDS / PROJECT<br><b>859</b>   |
| <b>SOURIAU</b> | <b>WWW.SOURIAU.COM</b>                |                                | This document is the property of SOURIAU it must not be reproduced or communicated without permission |
| FORMAT         | <b>A3</b>                             |                                | <b>SOURIAU DRG N° 8D021F41PCL-C</b>   |
|                |                                       |                                | SHEET<br>1/2  |

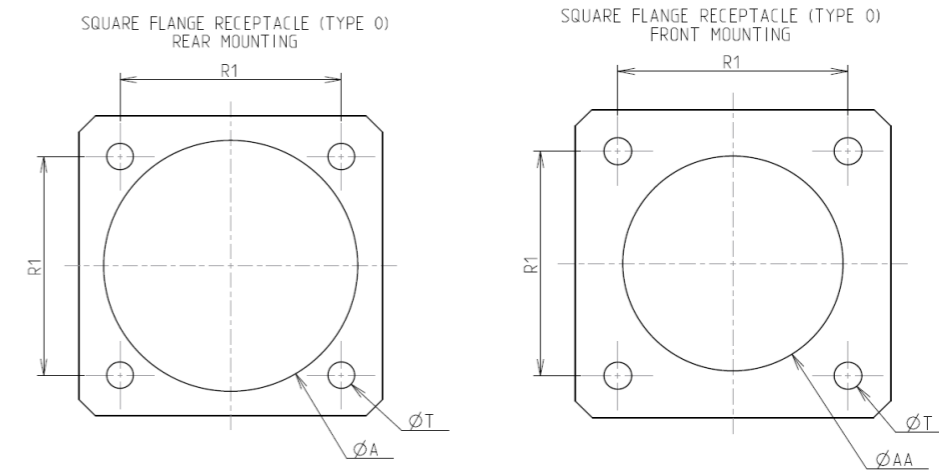
|                |                          |   |   |    |   |    |   |   |   |                                 |
|----------------|--------------------------|---|---|----|---|----|---|---|---|---------------------------------|
| BASIC SERIES:  | 8D                       | 0 | - | 21 | F | 41 | P | C | L | Delivered W/O Contacts          |
| SHELL TYPE :   | Square Flange Receptacle |   |   |    |   |    |   |   |   | ORIENTATION : C                 |
| CONTACT TYPE : | Standard Crimp Contact   |   |   |    |   |    |   |   |   | CONTACT TYPE : PIN(500 Matings) |
| SHELL SIZE :   | 21                       |   |   |    |   |    |   |   |   | CONTACT LAYOUT : 21-41          |
| PLATING :      | F = Nickel               |   |   |    |   |    |   |   |   |                                 |

Contact Layout



| Insert arrangement 21-41 |                 |                    |               |                |                  |            |
|--------------------------|-----------------|--------------------|---------------|----------------|------------------|------------|
| Shell size               | Arrangement no. | Number of contacts | Size contacts | Service rating | Contact location | Supersedes |
| 21                       | -41             | 41                 | 20            | I              | All              | MS20055-41 |

Panel Cutout



| Dim | Nominal    |
|-----|------------|
| ØA  | 36.12 min  |
| ØAA | 32.16 min  |
| R1  | 31.75      |
| ØT  | 3.25 ±0.13 |

SOURIAU shall not be liable for any non-conformity or damage due to a use of the Products which does not comply with the Specifications issued by either of the Parties or by a third party (professional recommendation, technical notice.)

| Country | Jurisdiction & Control List |
|---------|-----------------------------|
| FR      | Not Listed                  |

PN: 8D021F41PCL

|                |                                       |                            |   |
|----------------|---------------------------------------|----------------------------|---|
| A              | 02-11-2016                            | First Release              |   |
| ISS            | DATE                                  | Latest modification - by   | MOD N°  |
| Designed By:   |                                       | Date:                      | <b>CUSTOMER DRAWING</b>   |
| <b>TITLE</b>   | <b>Aluminium Receptacle 8D series</b> |                            |   |
| SCALE          |                                       | General linear Tolerances: | NPRDS / PROJECT   |
| NA             |                                       | ±--                        | <b>859</b>  |
| <b>SOURIAU</b> | <b>WWW.SOURIAU.COM</b>                |                            | This document is the property of SOURIAU it must not be reproduced or communicated without permission |
| FORMAT         | <b>SOURIAU DRG N° 8D021F41PCL-C</b>   |                            | SHEET 2/2   |