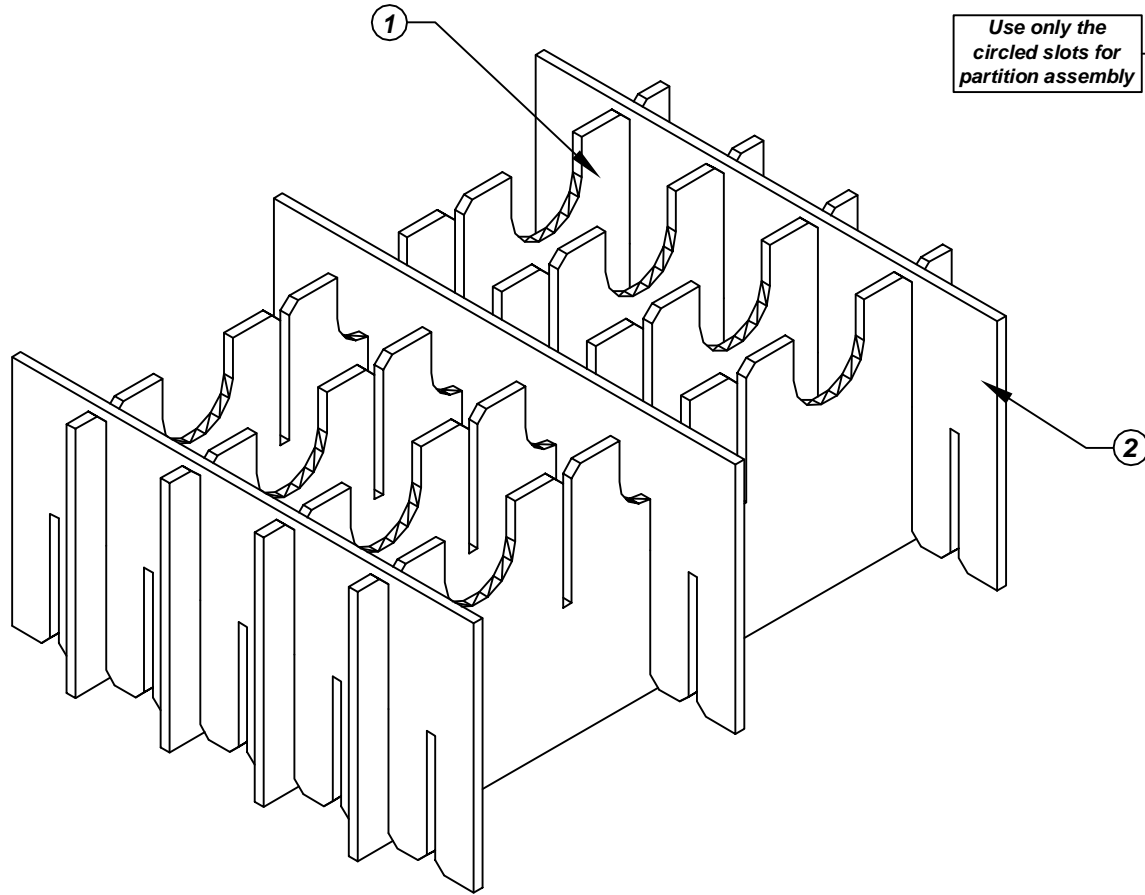
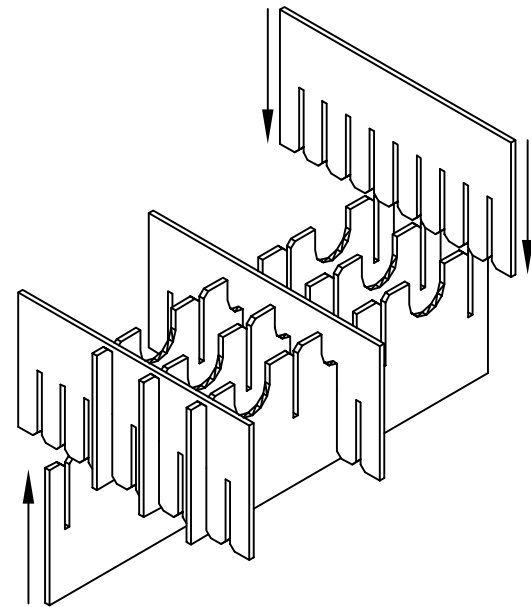
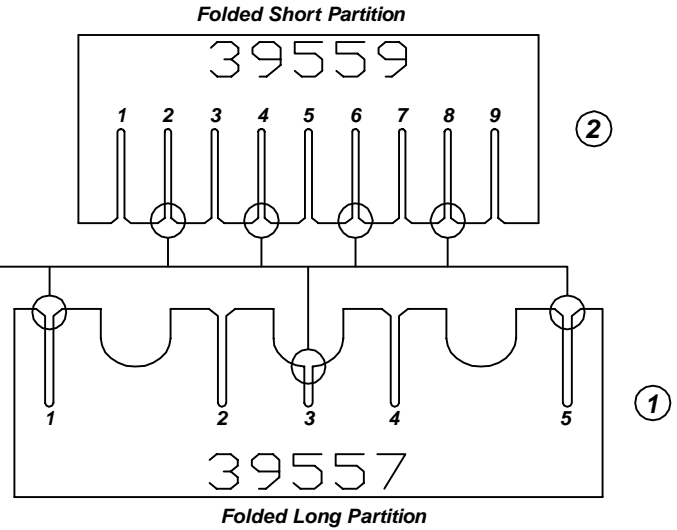


# Assembly Instructions for - 37240



Use only the circled slots for partition assembly



Made in America

F/N ①	Part # <b>39557</b>	Dimensions: <b>13-7/16" x 16-7/8"</b>	Description: <b>436/438 - LP Long Partition</b>	Qty: <b>4</b>
F/N ②	Part # <b>39559</b>	Dimensions: <b>13-7/16" x 13-1/8"</b>	Description: <b>436 - SP Short Partition</b>	Qty: <b>2</b>

## 37240 - 5 Cell Inplant Handler Cell Size - 6-3/4" x 14-5/8" x 2-3/8"

Notes:  
For use with the following storage container & lid:  
37511 - Storage Container  
37551 - Lid

PROTEKTIVE PAK  
13520 MONTE VISTA AVENUE, CHINO, CA 91710  
PHONE (909) 627-2578, FAX (909) 363-7331  
ProtektivePak.com



DRAWING NUMBER  
**IPH-37240**

DATE  
**Dec. 2007**