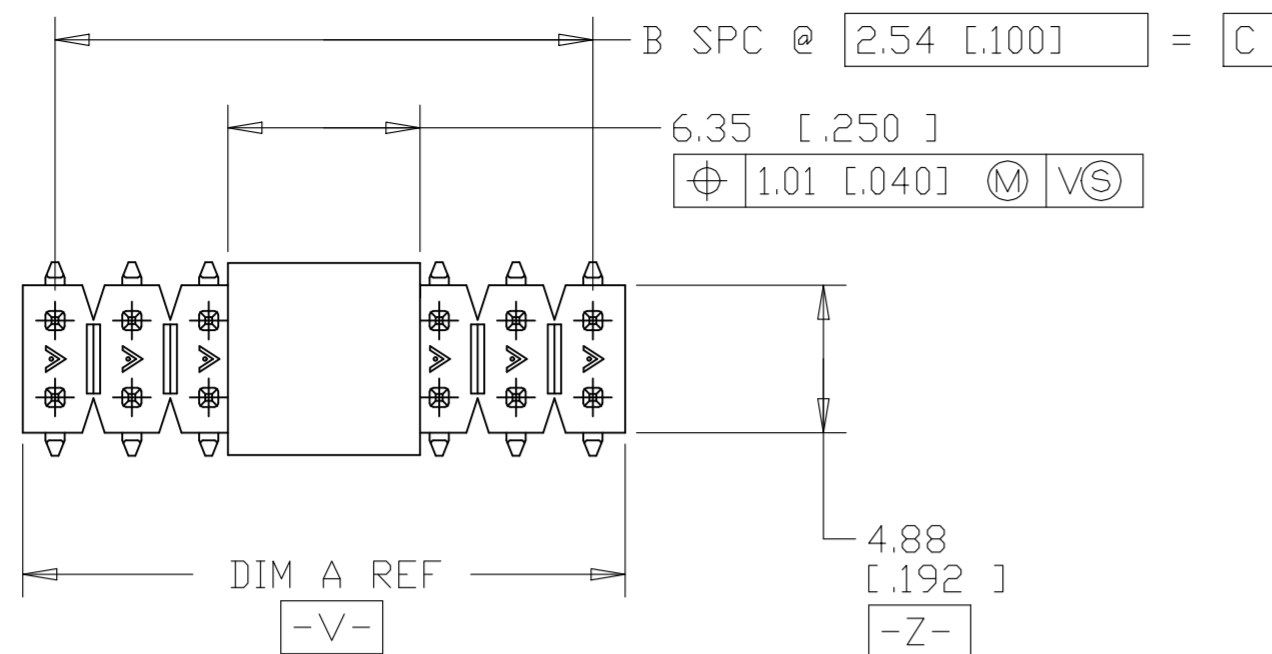
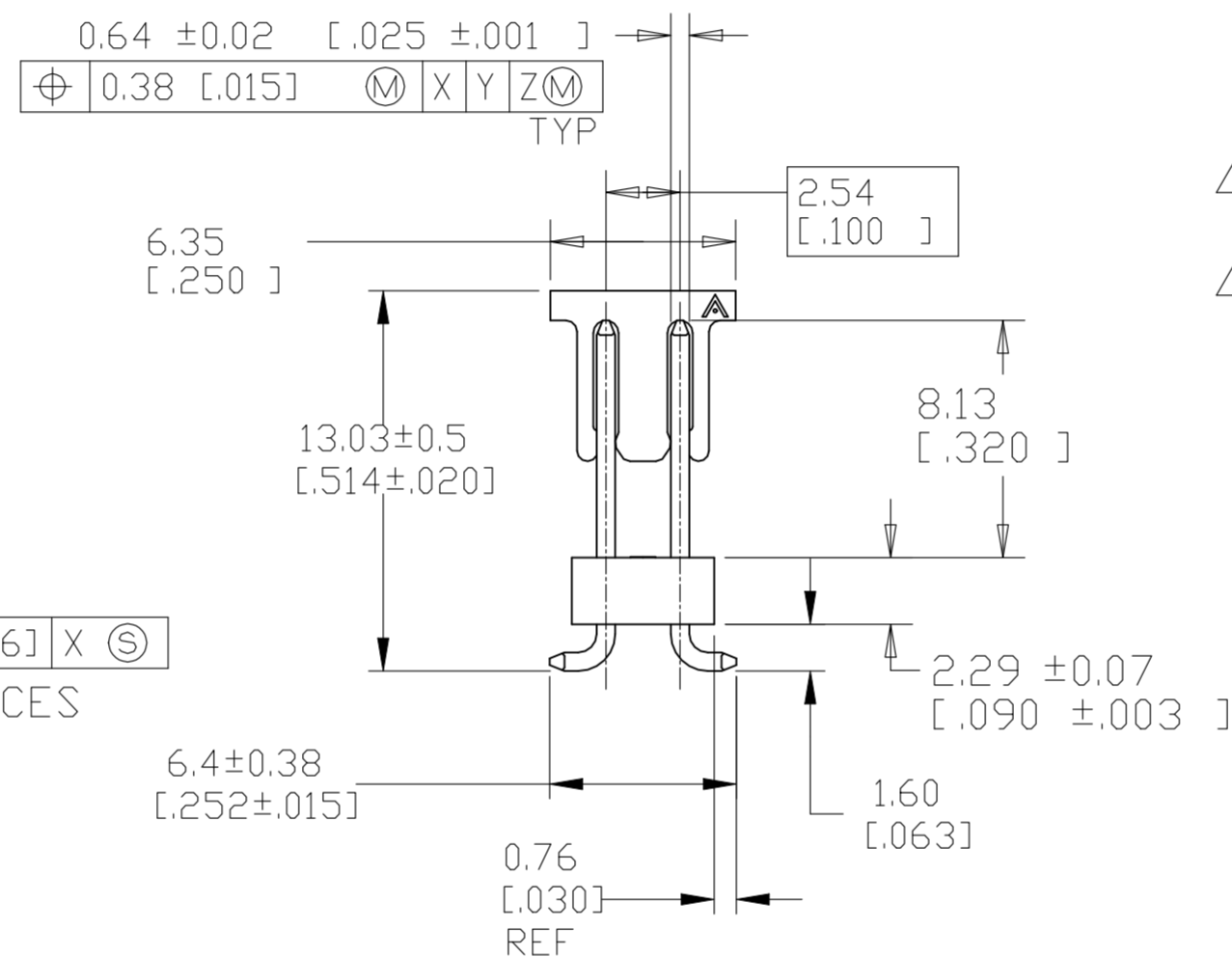
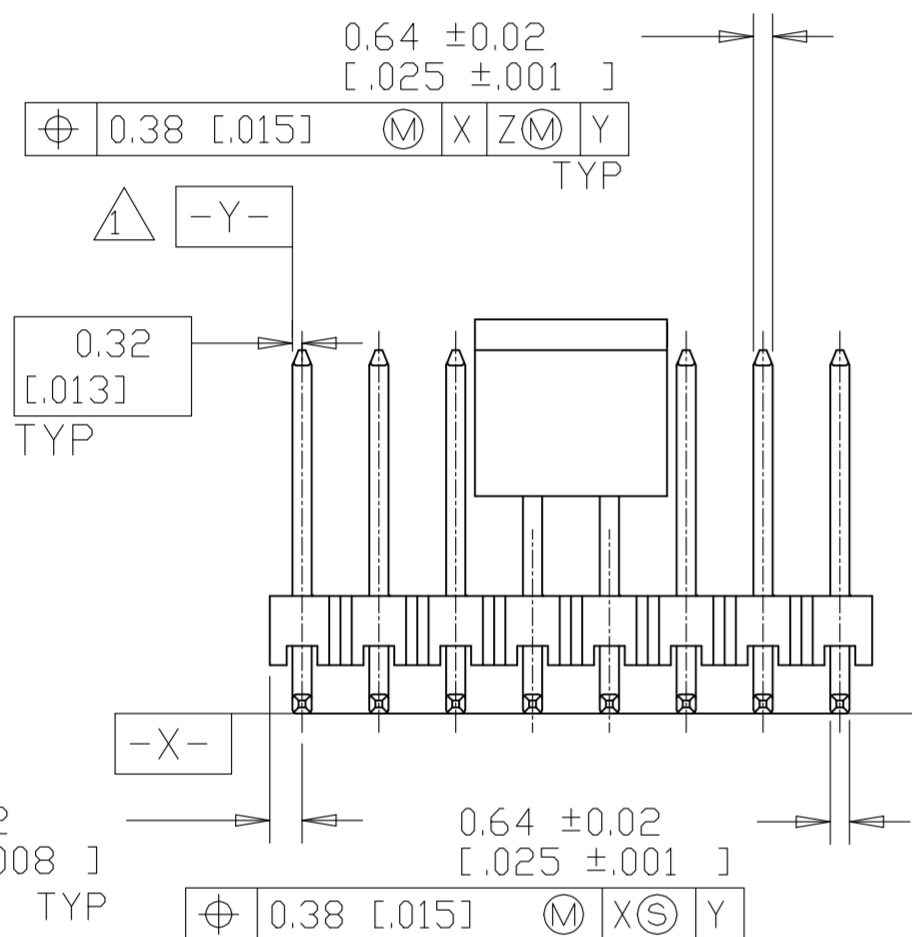


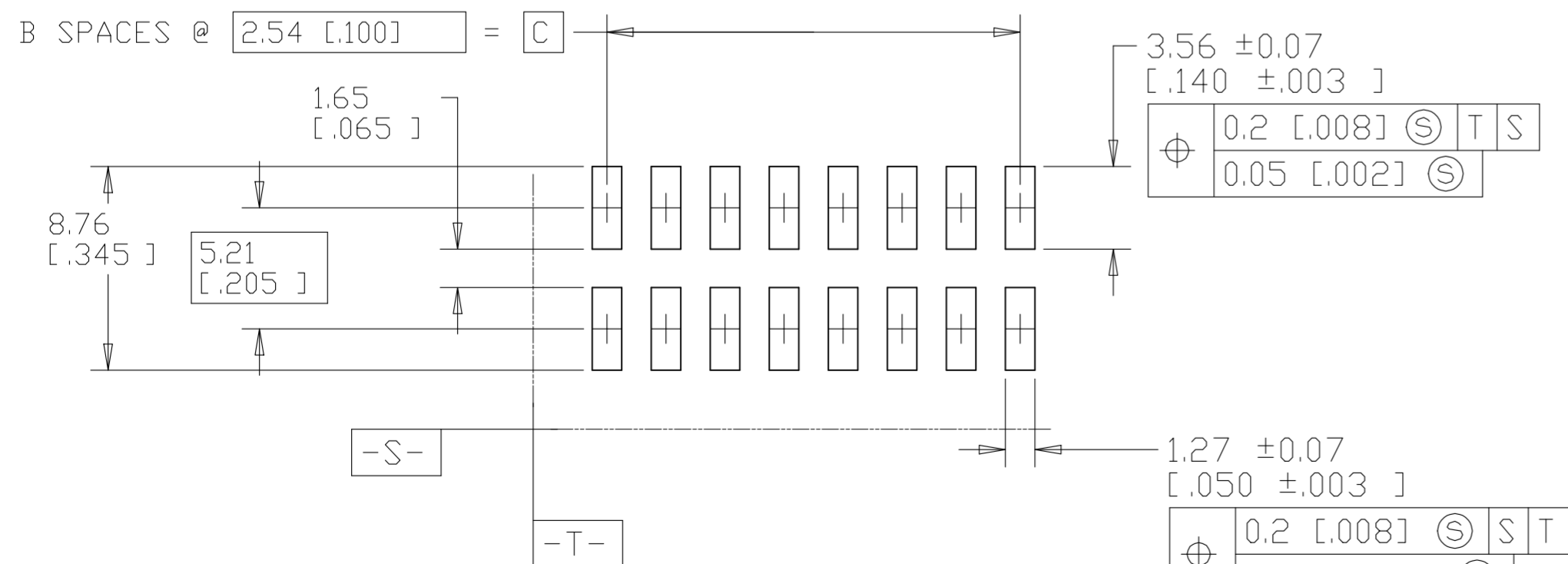
REVISIONS					
P	LTR	DESCRIPTION	DATE	DWN	APVD
D		REVISED PER ECR-22-162119	02JAN2023	RK	MF



- 1 [-Y-] SHALL BE THE INTERSECTION OF THE POST AND THE HOUSING.
- 2 THE NOTED DIMENSIONS APPLY FROM THE BASIC DIMENSION (NOT THE POST CENTERLINE) TO THE SURFACE INDICATED.
- 3 0.00254-0.00508 [0.00100-0.00200] MATTE TIN-LEAD OVER 0.00127 [0.00050] NICKEL, ENTIRE POST.
- 4 HOUSING: LCP, COLOR-BLACK.  
POST: PHOSPHOR BRONZE.  
PICK AND PLACE CAP: PPA, COLOR-BLACK.
- 5. PACKAGED IN TAPE AND REEL PER EIA-481 SPECIFICATIONS. SEE TABLE FOR WIDTHS.
- 6 0.00254-0.00508 [0.00100-0.00200] MATTE TIN OVER 0.00127 [0.00050] NICKEL, ENTIRE POST.
- 7 PRELIMINARY PART - NOT RELEASED FOR PRODUCTION.



0.15 [0.006] X S  
ALL SURFACES



RECOMENDED PCB LAYOUT FOR USE WITH 0.20 [0.008] THICK STENCIL

7	6	44 mm	17.78 [0.700]	7	19.91 [0.784]	16	5-1571878-1
	3	56 mm	20.32 [0.800]	8	22.45 [0.884]	18	1571878-2
	3	44 mm	17.78 [0.700]	7	19.91 [0.784]	16	1571878-1
PLATING	TAPE WIDTH	C	B	A	NO OF POSN	PART NUMBER	

THIS DRAWING IS A CONTROLLED DOCUMENT.		DWN	M.BINNER	17JUN04			
DIMENSIONS: mm [INCHES]		CHK	J.GESFORD	17JUN04			
TOLERANCES UNLESS OTHERWISE SPECIFIED:		APVD	J.GESFORD	17JUN04	NAME		
0 PLC	± -	PRODUCT SPEC		SMT HDR ASSY, MOD II, B/A			
1 PLC	± -	APPLICATION SPEC		VERT, D/R. .100C/L, .025 SQ POST, W/PICK AND PLACE CAP			
2 PLC	± -	WEIGHT		SIZE CAGE CODE DRAWING NO RESTRICTED TO			
3 PLC	± 0.13[.005]	MATERIAL		A2 00779 C=1571878			
4 PLC	± -	FINISH		SCALE 4:1 SHEET 1 of 1 REV D			
ANGLES	± -	SEE TABLE		CUSTOMER DRAWING			