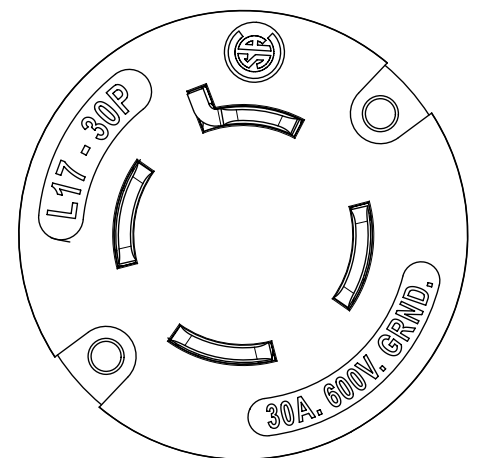
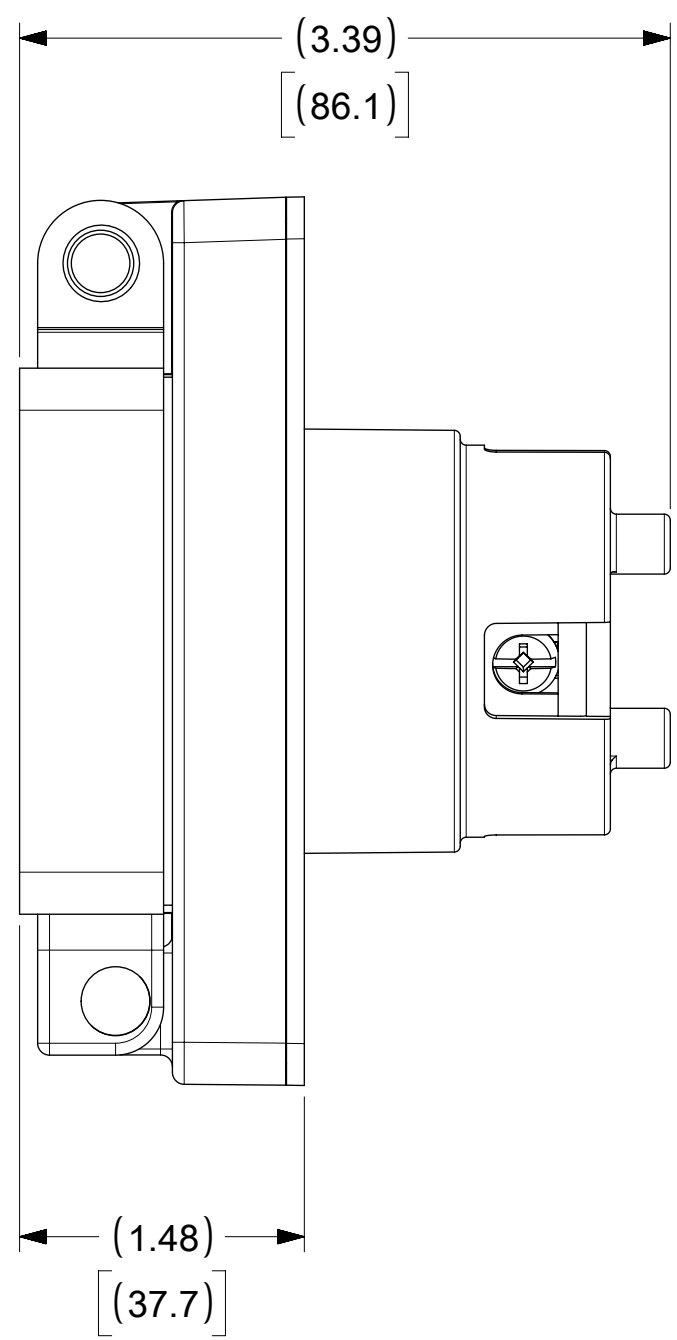
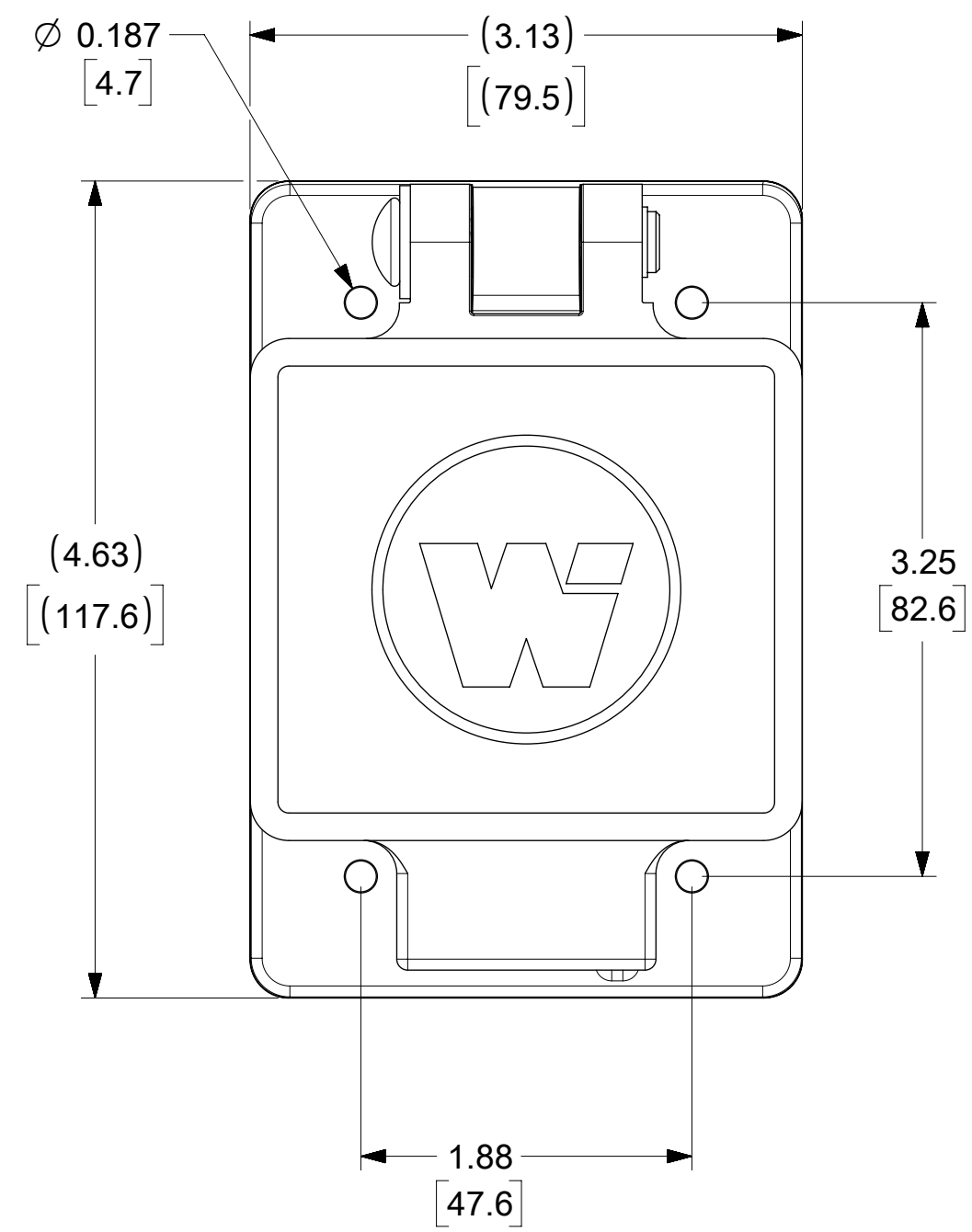
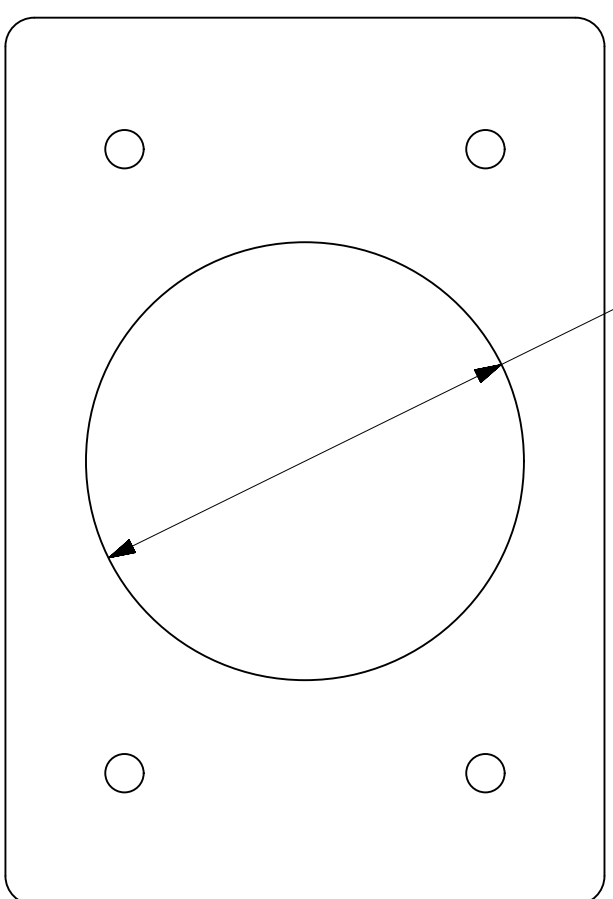
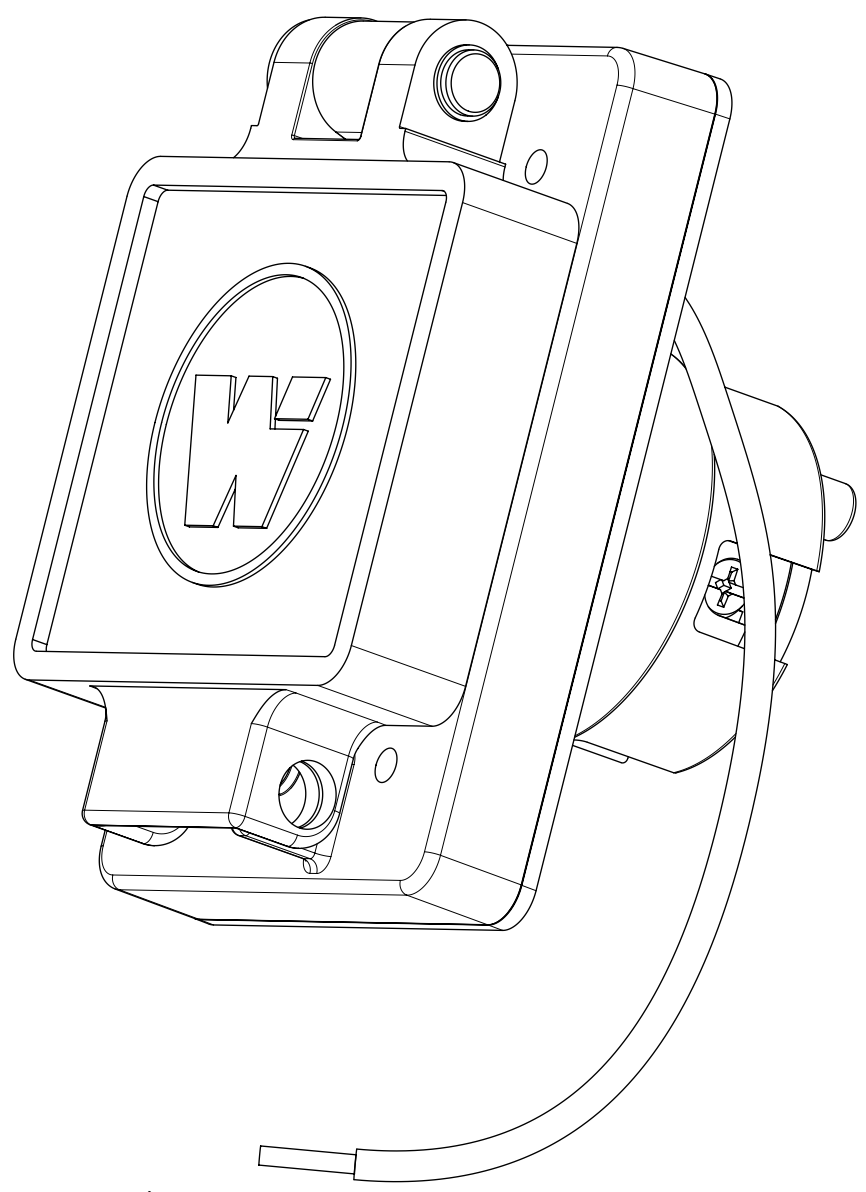


ORDER NO.	WOODHEAD NO.	COLOR
130147-0162	68W77	YELLOW



FACE VIEW



CLEARANCE HOLE (FOR PANEL MOUNT)

Ø 2.281 [57.94]

DESCRPTION	MATERIAL	QTY.
BLADES	BRASS, NICKEL PLATED	3
RETAINING SCREWS	STAINLESS STEEL	3
CLAMP AND TERMINAL SCREW ASSY.	BRASS, ZINC PLATED	3
MALE INSERT	NYLON	1
TERMINAL COVER	POLYCARBONATE	1
COVER ASSEMBLY	POLYCARBONATE, STAINLESS STEEL, ALUMINUM	1
GASKET FLIP	NEOPRENE	1
MOTOR BASE MTG ASSY	POLYCARBONATE, STAINLESS STEEL, BRASS	1
SCREW (GROUND WIRE)	STAINLESS STEEL	1
JUMPER WIRE ASSY	COPPER, BRASS (TINNED FINISH)	1

THIS DRAWING CONTAINS INFORMATION THAT IS PROPRIETARY TO MOLEX ELECTRONIC TECHNOLOGIES, LLC AND SHOULD NOT BE USED WITHOUT WRITTEN PERMISSION									
SYMBOLS		DIMENSION UNITS		SCALE		CURRENT REV DESC: MIGRATE TO ECTR/NX			
▽ = 0	INCH	MM	NTS			molex WATERTITE MOTOR BASE COVERPLATE 3P4W L17-30			
▽ = 0	GENERAL TOLERANCES (UNLESS SPECIFIED)								
▽ = 0			MM	INCH			EC NO: 613948		
▽ = 0	4 PLACES ±		±	±			DRWN: SRPATIL 2018/12/27		
▽ = 0	3 PLACES ±		±	±			CHK'D: DNGUYEN62 2019/03/19		
▽ = 0	2 PLACES ±		±	±			APPR: HKNEELAND 2019/03/22		
▽ = 0	1 PLACE ±		±	±			INITIAL REVISION:		
▽ = 0	0 PLACES ±		±	±			DRWN: SRPATIL 2018/12/27		
▽ = 0	ANGULAR TOL ± °		±	°			APPR: HKNEELAND 2019/03/22		
▽ = 0	DRAFT WHERE APPLICABLE MUST REMAIN WITHIN DIMENSIONS				THIRD ANGLE PROJECTION		DRAWING SERIES		MATERIAL NUMBER
▽ = 0					C-SIZE		130147		CUSTOMER
								SEE TABLE	
								GENERAL MARKET	
								1 OF 1	