

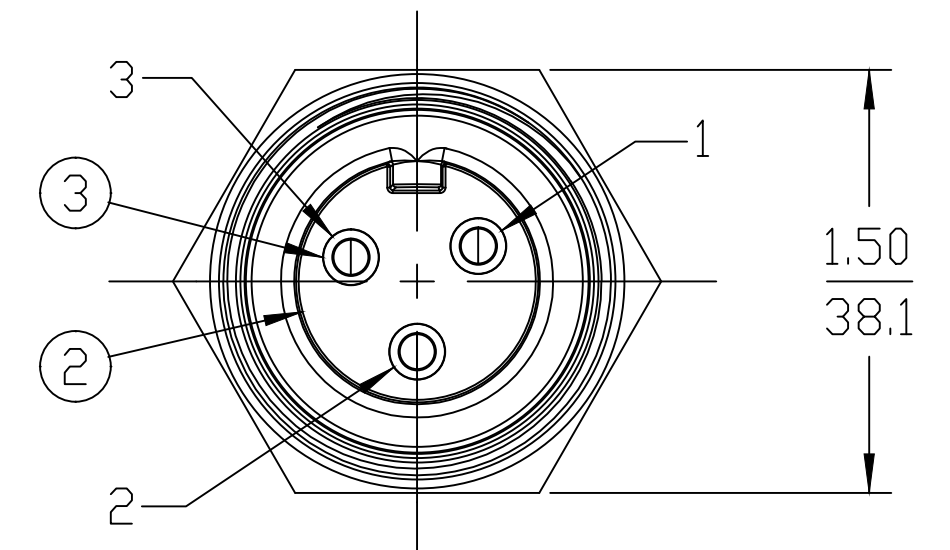
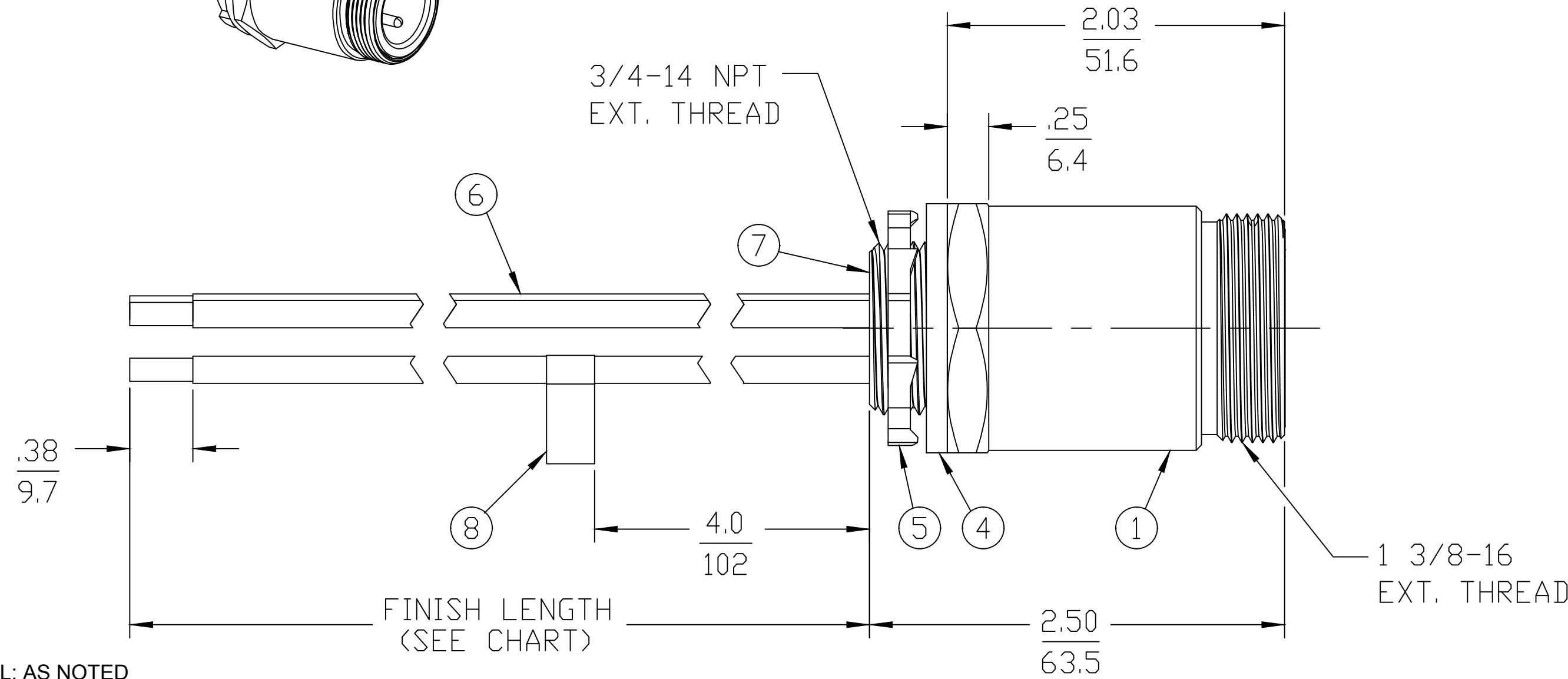
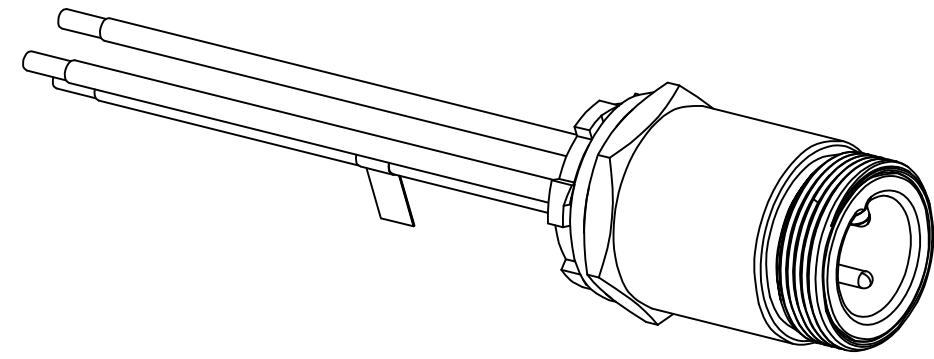
PART NUMBER	ENGINEERING NUMBER	FINISH LENGTH
1300660141	CR3C06A30M003	0.98' [0.3M]
1300660143	CR3C06A30M005	1.64' [0.5M]
1300660144	CR3C06A30M010	3.28' [1.0M]

PART NUMBER LEGEND
CR3C06A30M005

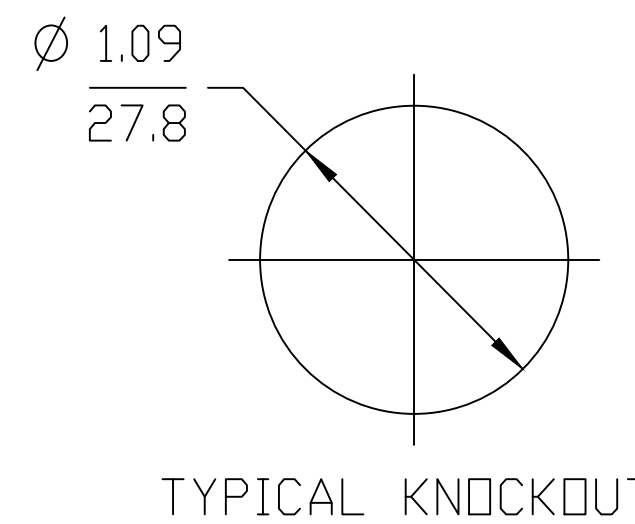
LENGTH
M005 = 0.5 METER
M010 = 1 METER
M100 = 10 METER

CABLE LENGTH TOLERANCES

>.3M [1FT]:	+19mm-0 [+ .75in-0]
.3 - .9M [1 - 3FT]:	+44.5mm-0 [+1.75in-0]
.9 - 1.8M [3 - 6FT]:	+55.6mm-0 [+2.19in-0]
1.8 - 3.7M [6 - 12FT]:	+88.9mm-0 [+3.50in-0]
3.7 - 7.3M [12 - 24FT]:	+165.1mm-0 [+6.50in-0]
7.3-14.6M [24 - 48FT]:	+317.5mm-0 [+12.50in-0]
14.6 - 30.5M [48-100FT]:	+622.3mm-0 [+24.50in-0]
OVER 30M [100FT]	+2% OF FINISHED LENGTH



- NOTES:**
1. MATERIAL: AS NOTED
 2. FINISH: AS NOTED
 3. ELECTRICAL:
VOLTAGE: 3P: 630V PER IEC60664
600V PER UL2237
CURRENT: 32A
 4. TEMP RATING: -20°TO +90°C
 5. PROTECTION: IP67 (WHEN MATED)
 6. COUPLING THREAD: 1 3/8-16UN
 7. UL LISTED FILE: E258922
 8. ALL DIMS ARE FOR REFERENCE UNLESS NOTED OTHERWISE



BLACK	1
GREEN	2
WHITE	3

WIRING DIAGRAM

ITEM	QTY.	DESCRIPTION	MATERIAL	FINISH
8	1	FLAG LABEL	VINYL	YELLOW
7	A/R	POTTING	EPOXY	BLACK
6	3	#10-1 UL1015 WIRE (B)	PVC JACKET	SEE WIRING DIAGRAM
5	1	LOCKNUT	STEEL	ZINC PLATED
4	1	GASKET	NEOPRENE	BLACK
3	3	PIN CONTACT	COPPER ALLOY	GOLD PLATED
2	1	MALE INSERT, 3 POLE	PVC	BLACK
1	1	RECEPTACLE SHELL	ALUMINUM	CLEAR ANODIZED

UL 1015 WAS THHN EC NO: IFC2019-0200 DRWN: JCAPPOZZ 2018/11/26 CH'KD: RSTONE APPR: BWOODMAN2018/12/18	QUALITY SYMBOL	GENERAL TOLERANCES (UNLESS SPECIFIED)	DIMENSION STYLE IN/MM	SCALE 4:1	DESIGN UNITS INCH	THIRD ANGLE PROJECTION
	▽=0	4 PLACES ±--- ±---	DRAWN BY JCAPPOZZ DATE 2018/11/26	TITLE BRAD POWER MALE, 3/4" NPT, 3 POLE RECEPTACLE ASSEMBLY		
	▽C=0	3 PLACES ±--- ±---	CHECKED BY DATE	MOLEX INCORPORATED		
		2 PLACES ±--- ±---	APPROVED BY BWOODMAN DATE 2018/12/18	DOCUMENT NO. SD-130066-053 SHEET NO. 1 OF 1		
		1 PLACE ±--- ±---	MATERIAL NO. SEE P/N CHART	THIS DRAWING CONTAINS INFORMATION THAT IS PROPRIETARY TO MOLEX INCORPORATED AND SHOULD NOT BE USED WITHOUT WRITTEN PERMISSION		
		ANGULAR ±---	SIZE C			
		DRAFT WHERE APPLICABLE MUST REMAIN WITHIN DIMENSIONS				

REF. THIS DRAWING SUPERSEDES COCREATE REV. A