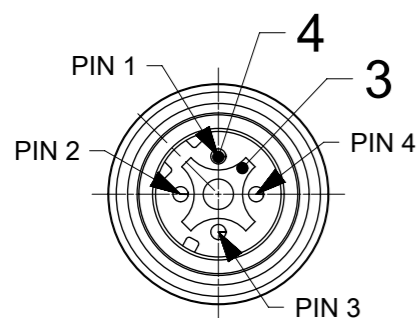


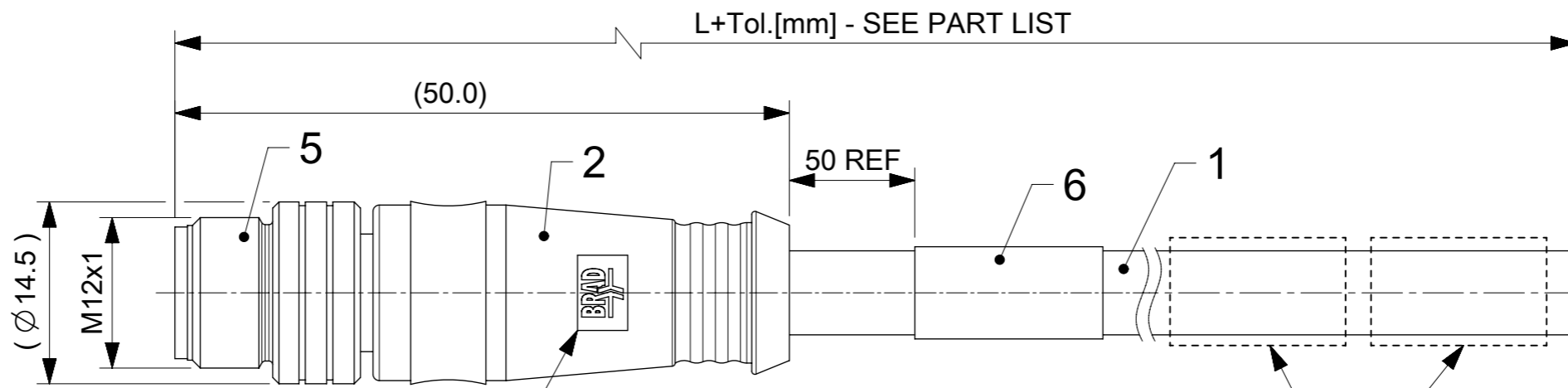
# PART No MATRIX

**E 1 0 A 0 0 6 1 1 M X X X X**

E = ETHERNET  
 HEAD : 1 = M12 D-Coding  
 WIRING TYPE: A=4 Pole (STRAIGHT WIRED)  
 HEADS STYLE: 006 = MALE STR  
 CABLE TYPE  
 UNITS : M= METER T=10x METER  
 LENGTH EXAMPLES: 005=0.5 m 010=1m 150=15m  
 H= 2 PCS. OF I/D CARRIER



VIEW FROM THE FRONT SIDE



LOGO BRAD

2xID CARRIER IF IN THE END IN ENGINEERING No IS H

## CABLE SPECIFICATION

### CONDUCTOR:

MATERIAL: BARE COPPER  
 SECTION: 0.34mm<sup>2</sup> - 22AWG

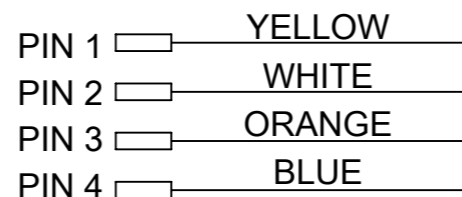
### INSULATION:

COMPOUND: POLYOLEFIN  
 DIAMETER:  $\varnothing$ 1.45mm  
 COLOR: WHITE, YELLOW, BLUE, ORANGE  
 TWISTED TOGETHER

### JACKET:

COMPOUND: PUR  
 COLOR: GREEN  
 DIAMETER:  $\varnothing$ 6.80  $\pm$ 0.20mm

## WIRING DIAGRAM



## BOM

ITEM	QTY	DESCRIPTION	MATERIAL	FINISH/COLOR
6	1	LABEL	-	-
5	1	COUPLING NUT M12 MALE	BRASS	Ni-PLATED
4	4	CONTACT MALE	BRONZE	GOLD OVER Ni-PLATED
3	1	INSERT M12 MALE 4 POL DC	PUR	BLACK
2	-	OVERMOULD MATERIAL	TPU	BLACK
1	-	CABLE 2x2x22AWG; SHLD	PUR	GREEN

## NOTES :

ELECTRICAL DATA :  
 VOLTAGE RATING : 250V  
 AMPERAGE RATING : 4A  
 INSULATION RESISTANCE : 10<sup>8</sup> $\Omega$  MIN.  
 MATING CYCLES : MIN. 100

## ENVIRONMENTAL :

PROTECTION : IP67 IN MATED AND LOCKED POSITION  
 OPERATING TEMPERATURE : -25°C TO +85°C

## PART LIST

MOLEX PN	ENGINEERING NO	L (mm)
1300480311	E10A00611M020	2000
1300480281	E10A00611M050	5000
1300480282	E10A00611M100	10000
1300480283	E10A00611M200	20000
1300480284	E10A00611M300	30000
1300480285	E10A00611M500	50000
1300488117	E10A00611M100H	10000

CABLE LENGTH TOLERANCES	
LENGTH	TOLERANCE
0m-1m	+40 mm
>1m-5m	+60 mm
>5m-10m	+80 mm
>10m-20m	+140 mm
>20m-30m	+160 mm
>30m	+1% length

FUNCTIONAL SYMBOLS $\nabla/\bar{A} = 0$ $\nabla/E = 0$ $\nabla/\bar{E} = 0$	THIS DRAWING CONTAINS INFORMATION THAT IS PROPRIETARY TO MOLEX ELECTRONIC TECHNOLOGIES, LLC AND SHOULD NOT BE USED WITHOUT WRITTEN PERMISSION	SCALE 2:1	CURRENT REV DESC:	
	DIMENSION UNITS mm	GENERAL TOLERANCES (UNLESS SPECIFIED) ANGULAR TOL $\pm$ 1.0°		
DIVISIONAL SYMBOLS		4 PLACES $\pm$	INITIAL REVISION:	DOCUMENT NUMBER
		3 PLACES $\pm$	DRWN: MDHARMANTI 2021/07/14	1300480311
		2 PLACES $\pm$ 0.05	APPR: RSILLER 2021/09/20	DOC TYPE
		1 PLACE $\pm$ 0.3		000
		0 PLACES $\pm$ 0.5		A
	DRAFT WHERE APPLICABLE MUST REMAIN WITHIN DIMENSIONS	THIRD ANGLE PROJECTION	DRAWING	SHEET NUMBER
			A3-SIZE	1 OF 1
			SERIES	
			130048	
			MATERIAL NUMBER	
			SEE PART LIST	
			CUSTOMER	
			GENERAL MARKET	

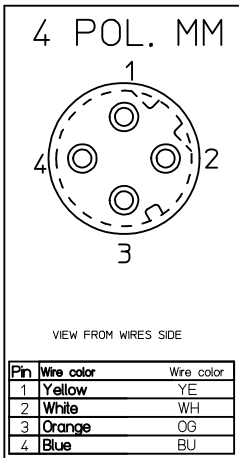
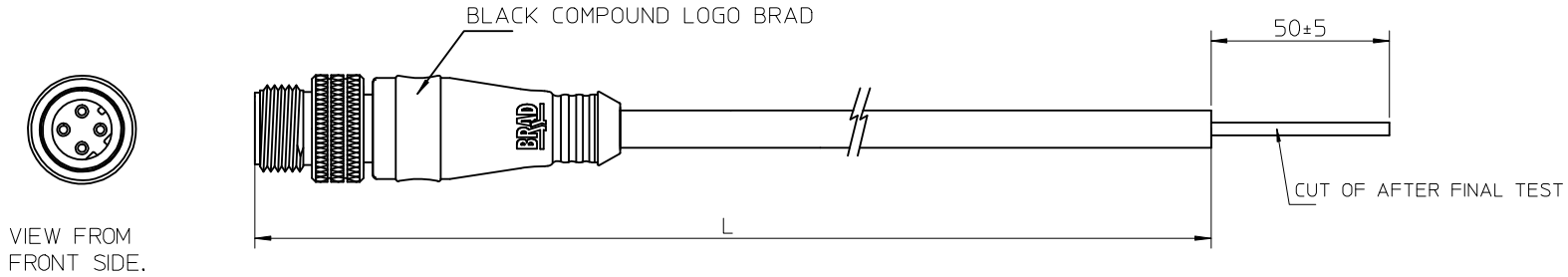


Table of length tolerances

Over	Up to and including	Tolerance (+)
0	305	+19
305	915	+45
915	1830	+56
1830	3660	+89
3660	7320	+165
7320	14640	+317
14640	30500	+610
30500	>	+2% of length

Molex P/N:	ENG P/N:	L [mm]
1300480281	E10A00611M050	5000
1300480282	E10A00611M100	10000
1300480283	E10A00611M200	20000
1300480284	E10A00611M300	30000
1300480285	E10A00611M500	50000



CABLE SPECIFICATION

No. OF CONDUCTORS: 4  
 STRANDING: 7x30AWG  
 CROSS SECTION: 0,34mm  
 OUTER JACKET: GREEN PUR  
 TEMPERATURE RATING:  
 OPERATING: -20° to 60°C  
 STORAGE: -40° to 80°C

SILICONE FREE  
 HALOGEN FREE

ORIGINAL RELEASE EC NO: IPG2016-1572 DRWN:MMATLA 2016/05/23 CHKD: APPR:MIWASIECZKO 2016/05/25	QUALITY SYMBOLS	GENERAL TOLERANCES (UNLESS SPECIFIED)	DIMENSION STYLE	SCALE	DESIGN UNITS	FIRST ANGLE PROJECTION
	▼=0 ∇=0	mm INCH 4 PLACES ± --- ± --- 3 PLACES ± --- ± --- 2 PLACES ± --- ± --- 1 PLACE ± --- ± --- 0 PLACE ± --- ± ---	MM ONLY	-	METRIC	
	DESCRIPTION	ANGULAR ± --- °	DRAWN BY	DATE	TITLE	CSE M12 4P DC MA STR PUR XM SE SHLD GN BRA NI
	REV	DRAFT WHERE APPLICABLE MUST REMAIN WITHIN DIMENSIONS	MDYSZEWSKA	2012/11/14	SEE CHART 1	
						APPROVED BY MIWASIECZKO 2013/11/28