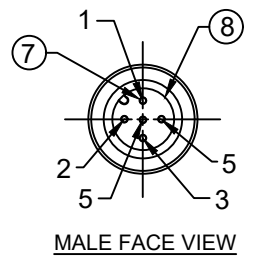
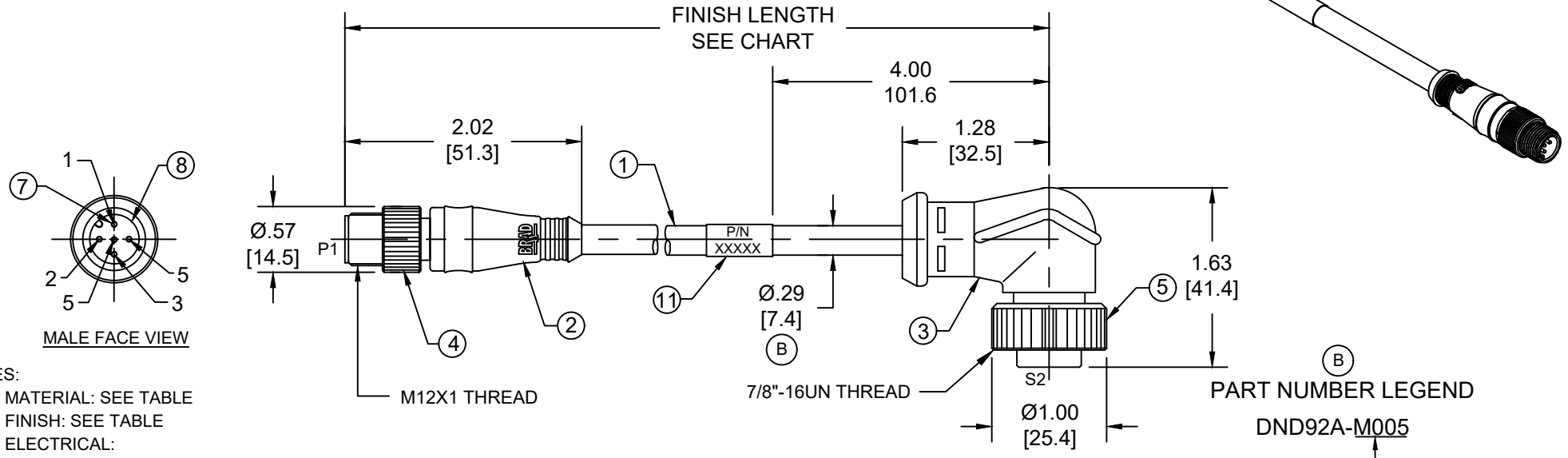
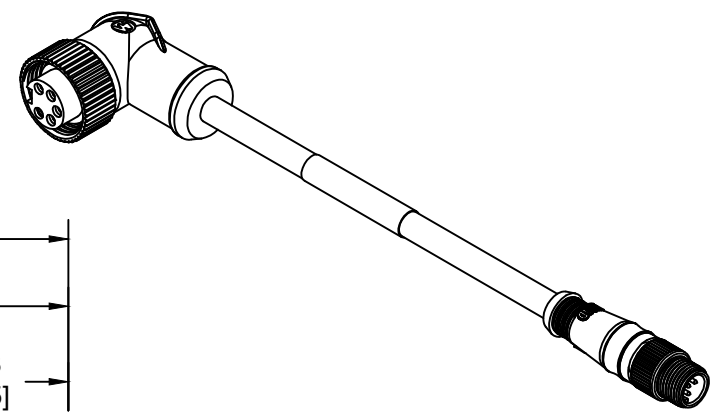


SAP P/N #	ENGINEERING P/N	FINISHED LENGTH
1300390208	DND92A-M005	0.5M [1FT 8 IN]
1300390211	DND92A-M020	2M [6FT 7 IN]
1300390213	DND92A-M050	5M [16FT 5 IN]

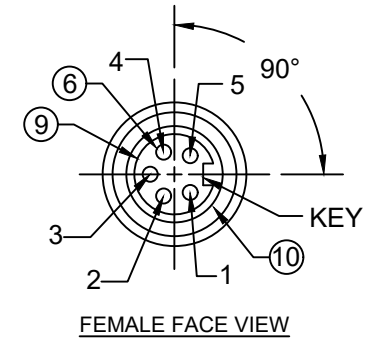


- NOTES:
- MATERIAL: SEE TABLE
 - FINISH: SEE TABLE
 - ELECTRICAL:
VOLTAGE: 250V
CURRENT: 4A
 - TEMP RATING: -20°C TO +80°C
 - PROTECTION: IP67 (WHEN MATED)
 - UL LISTED FILE: E152210 (B)
CSA CERTIFIED FILE: LR6837 (B)
 - ALL DIMENSIONS ARE FOR REFERENCE UNLESS TOLERANCED OR NOTED OTHERWISE

PART NUMBER LEGEND
DND92A-M005
 LENGTH:
 M005= 0.5 METER
 M010= 1 METER
 M100= 10 METER

P1		S2
1	DRAIN	1
2	RED	2
3	BLACK	3
4	WHITE	4
5	BLUE	5

WIRING DIAGRAM



11	WRAP LABEL	VINYL	BLACK/YELLOW
10	FRICTION RING	NYLON	WHITE
9	FEMALE INSERT(MINI)	TPE	BLACK
8	MALE INSERT(MICRO)	NYLON	BLACK
7	PIN CONTACT	COPPER ALLOY	GOLD OVER NICKEL
6	SOCKET CONTACT	COPPER ALLOY	GOLD OVER NICKEL
5	COUPLING NUT(MINI)	ZINC DIE-CAST	BLACK E-COAT
4	COUPLING NUT(MICRO)	ZINC DIE-CAST	BLACK E-COAT
3	OVERMOLD(MINI)	TPC	GRAY
2	OVERMOLD(MICRO)	TPC	GRAY
1	DEVICENET DROP CABLE	PVC JACKET	GRAY
ITEM	COMPONENT	MATERIAL	FINISH

FUNCTIONAL SYMBOLS										THIS DRAWING CONTAINS INFORMATION THAT IS PROPRIETARY TO MOLEX ELECTRONIC TECHNOLOGIES, LLC AND SHOULD NOT BE USED WITHOUT WRITTEN PERMISSION											
DIMENSION UNITS					SCALE					CURRENT REV DESC: ITEM-2, 3 & 9 WERE PVC. ADDED ITEM-10, TOL CHART, UL, CSA, CABLE DIA AND PN LEGEND. MODIFIED PN CHART											
INCH/MM					NTS																
GENERAL TOLERANCES (UNLESS SPECIFIED)										EC NO: 720800											
					mm					INCH											
4 PLACES ±----					±----					DRWN: ABENJAMINLW 2022/07/28											
3 PLACES ±----					±----					CHK'D: RSTONE 2022/09/09											
2 PLACES ±----					±----					APPR: BWOODMAN 2022/09/09											
1 PLACE ±----					±----					INITIAL REVISION:											
0 PLACES ±----					±----					DRWN: TWOLDEGE 2010/01/11											
ANGULAR TOL ± ---- °										APPR: JFMURPHY 2010/01/20											
DRAFT WHERE APPLICABLE MUST REMAIN WITHIN DIMENSIONS										THIRD ANGLE PROJECTION		DRAWING		SERIES		MATERIAL NUMBER		CUSTOMER		SHEET NUMBER	
										A-SIZE		130039		SEE CHART		GENERAL MARKET		1 OF 1			

micro-mini change devicenets, M12-A-SIZE, 5 POLE, MALE STRAIGHT-FEMALE 90DEG, SINGLE KEY, #22/4 AWG

PRODUCT CUSTOMER DRAWING

DOCUMENT NUMBER: **SD-130039-024** DOC TYPE: PSD DOC PART: 001 REVISION: B

DOCUMENT STATUS	P1	RELEASE DATE	2022/09/09	18:08:09
-----------------	----	--------------	------------	----------