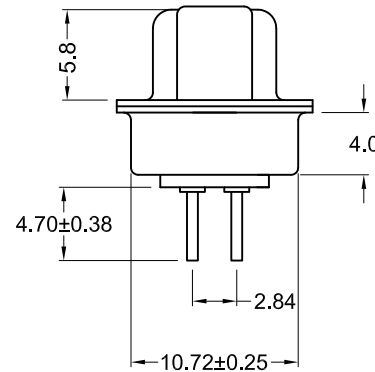
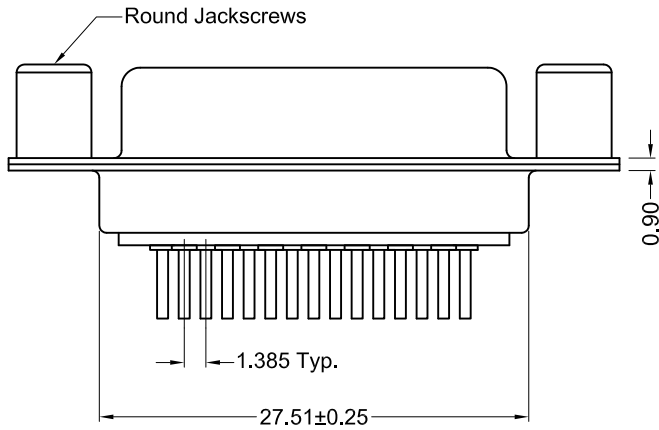


Recommended PCB Layout
(Top View)



Material And Finish

Shell: Steel, Nickel Plated

Insert: PBT Thermoplastic,
Black Color, 30%
Glass Filled, UL 94V-0 Rated

Contact Material:
Socket - Brass

Contact Plating:

Standard:
Gold flash on mating end,
tin on termination end, with
entire contact nickel underplated

15 Option:
15u" gold on mating end,
tin on termination end, with
entire contact nickel underplated

30 Option:
30u" gold on mating end,
tin on termination end, with
entire contact nickel underplated

Electrical Specifications

Contact Current Rating: 2A

Rated Voltage: 30V RMS

Insulation Resistance:
more than 1000 Megohm
at 500V DC

Dielectric Withstanding Voltage-
1000 VAC rms for 1 minute

Contact Resistance:
13 milliohm max.

Operating Temperature
-55°C to +105°C

Ordering Information

Part Number	Contact Area Plating Finish
K85X-AD-15S-R	Gold Flash (standard)
K85X-AD-15S-R15	15u" Gold (15 option)
K85X-AD-15S-R30	30u" Gold (30 option)

Tolerances
X.X ± 0.25
X.XX ± 0.15
Unless Stated Otherwise

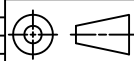


REV.	DATE	DESCRIPTION	REV. BY	CHK. BY	DRAWN BY	DATE
A1	08/15/08	New Drawing	S. Vien	H. MA		
A2	12/31/17	ECO #17-030	J. Elbanna	C. Furumasu	S. Vien	08/15/08

K85X-AD-15S-R

Vertical PCB Mount D-Sub, RoHS Compliant

Round Jackscrews, 15 Pin Female



UNITS
mm