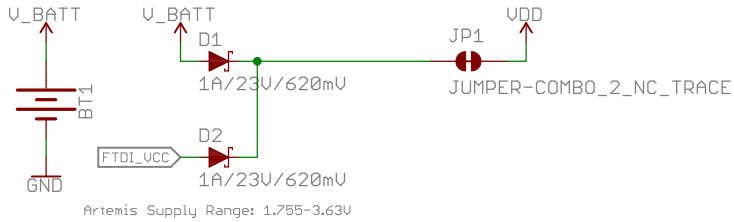
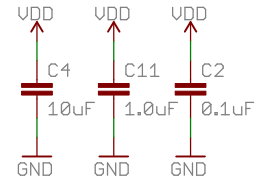


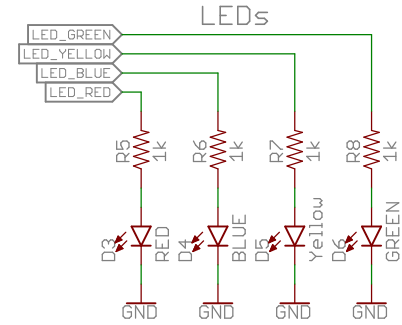
Coin Cell/Serial Power



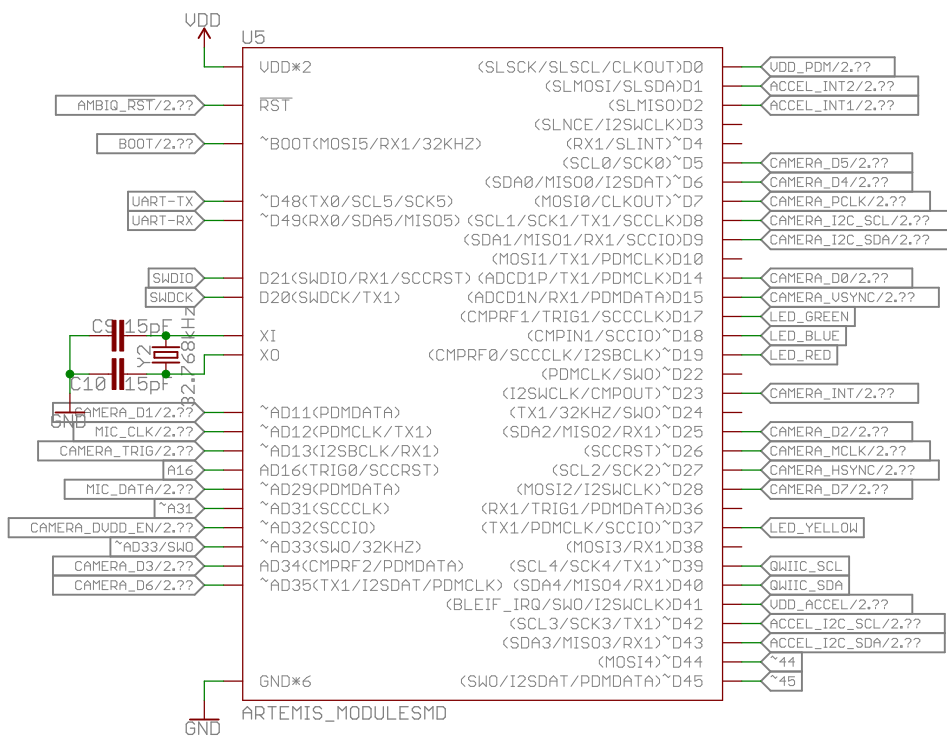
Artemis Decoupling



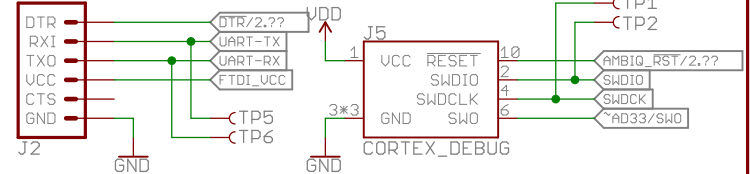
LEDs



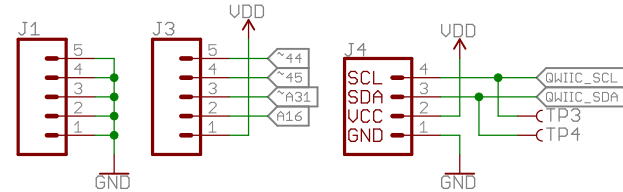
SparkFun Artemis



Programming Headers



Expansion Headers



Released under the Creative Commons

Attribution Share-Alike 4.0 License

<https://creativecommons.org/licenses/by-sa/4.0/>



TITLE: SparkFun_Edge2_Artemis

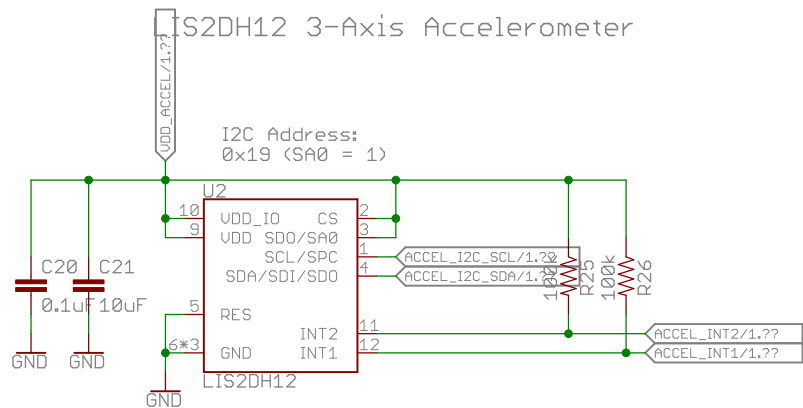
Design by:
Jim Lindblom

REV:
v01

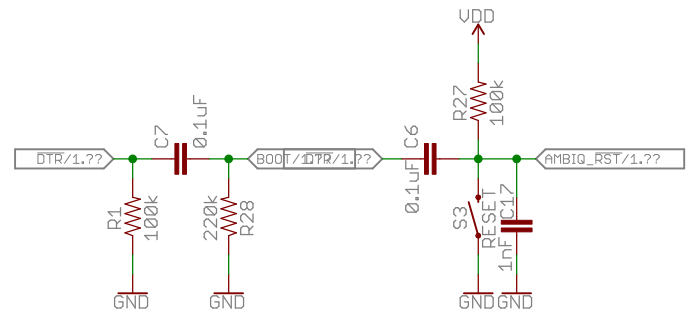
Date: 9/18/2019 4:01 PM

Sheet: 1/2

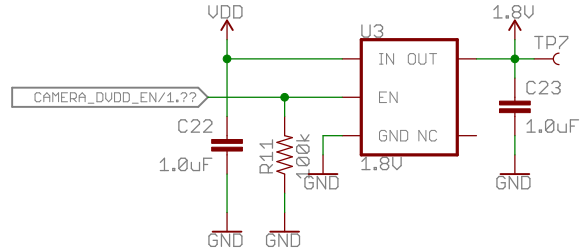




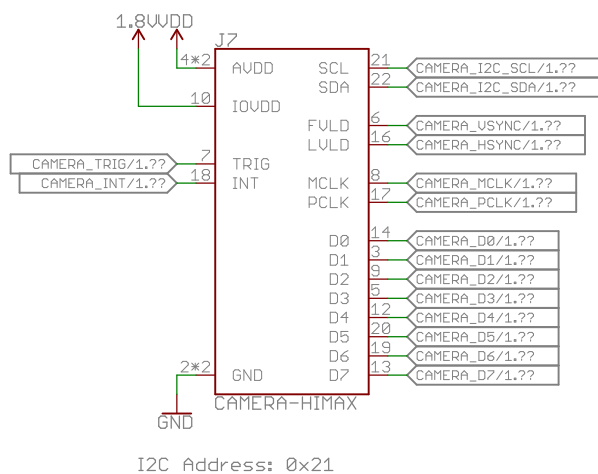
Bootloader Reset Circuit



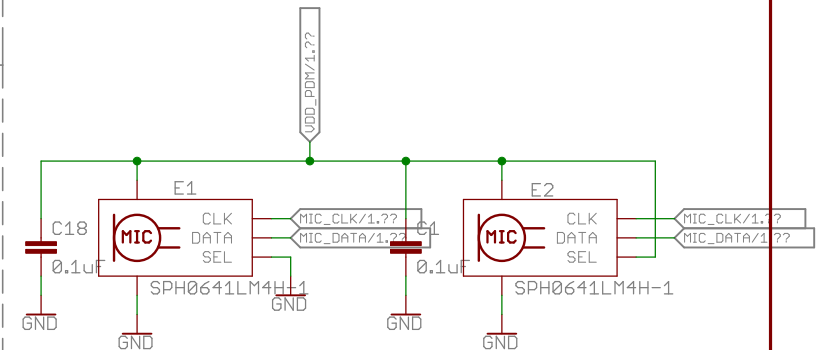
Camera DVDD 1.8V Regulator



Camera



MEMS Microphone



Released under the Creative Commons Attribution Share-Alike 4.0 License
<https://creativecommons.org/licenses/by-sa/4.0/>

TITLE: SparkFun_Edge2_Artemis

Design by:
Jim Lindblom

REV:
>REV

Date: 9/18/2019 4:01 PM

Sheet: 2/2