

## LED Permanent Beacon 853 / Accessories

### Cable gland M20x1,5



**Part No.:** 975.853.02

#### MECHANICAL DATA

Height	39 mm
Diameter	28 mm
Materials	PA
Housing colour	Black
Protection category	IP68
Weight with packaging	13 g
Product weight	13 g

#### APPROVAL DATA

Conforms with CE	No
WEEE	No
Conforms with ATEX-directive	No
Conforms with CCC	No
Conforms with UL	No
Conforms with FCC	No
Conforms with IC	No
EAC certificate available	No
Conforms with UKCA (Importer)	No
Conforms with AS-I	No
ICAO Certification	No
Conforms with DNV	No
Conforms with RoHS CN	No

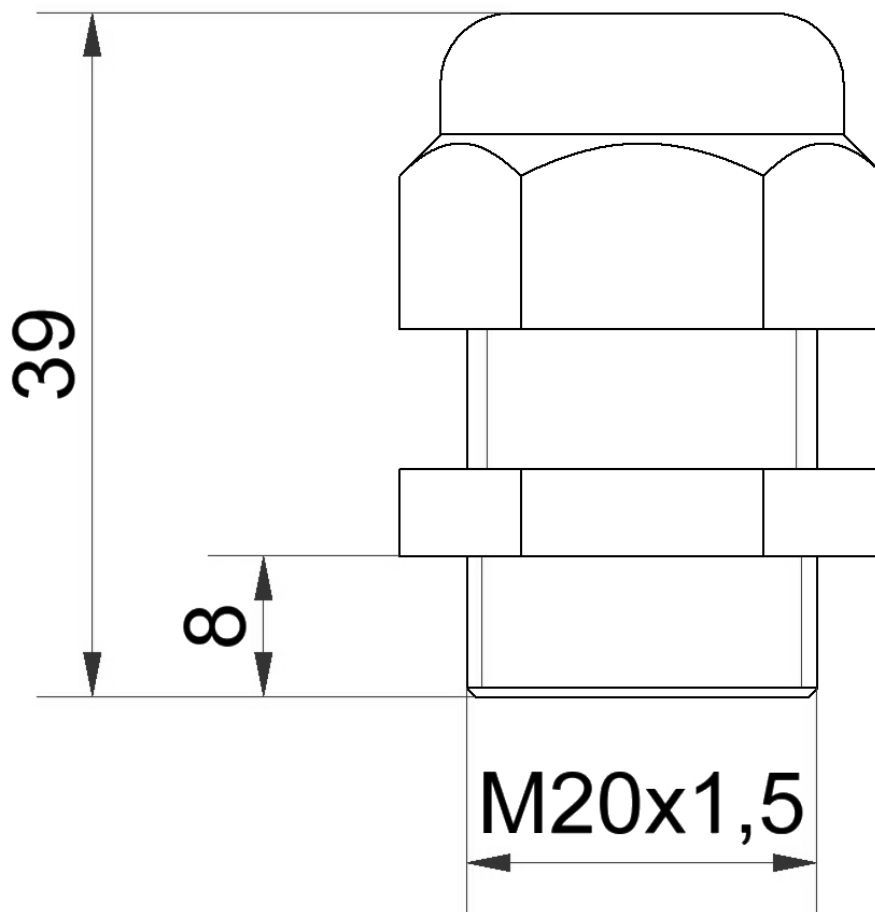


For additional installation and mounting information, refer to the appropriate user guide at [www.werma.com](http://www.werma.com). This printed copy is for information only and is subject to alteration.

LED Permanent Beacon 853 / Accessories

**Cable gland M20x1,5**

DRAWING



For additional installation and mounting information, refer to the appropriate user guide at [www.werma.com](http://www.werma.com). This printed copy is for information only and is subject to alteration.