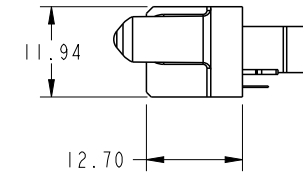
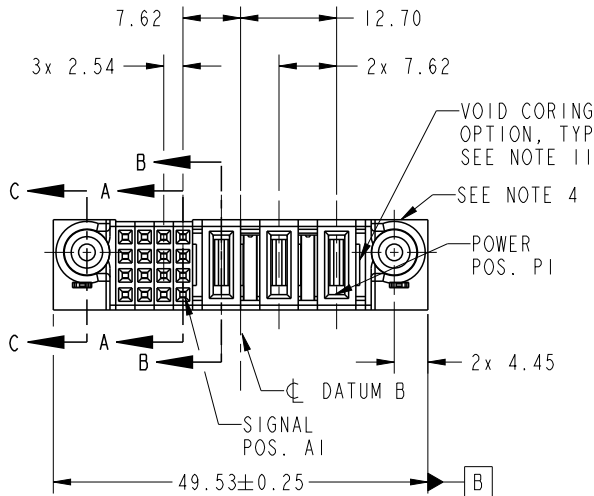
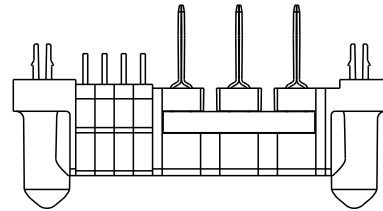


PRODUCT NO.	ROWS	SIGNAL				POWER					
		E2	4	3	2	1	P3	P2	P1	E1	
51940-547-- NOTE: 3	D C B A										

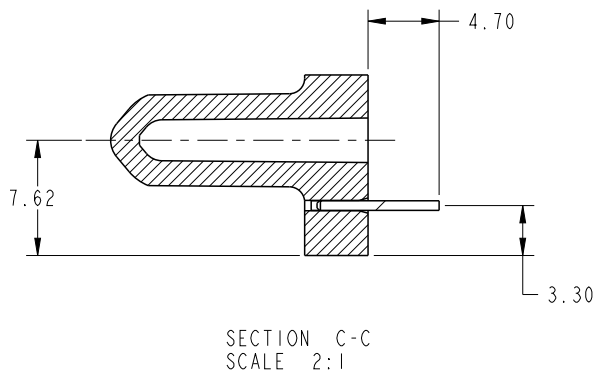
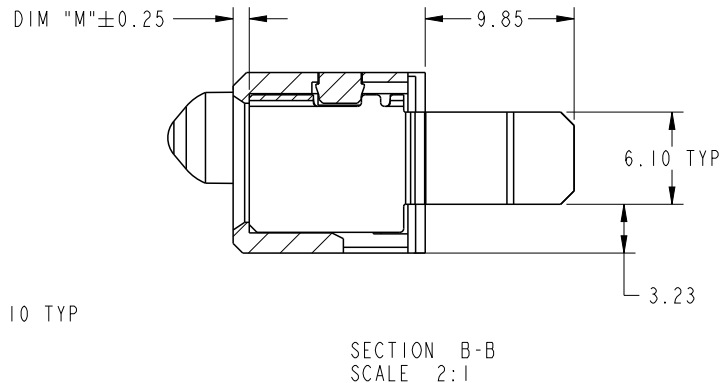
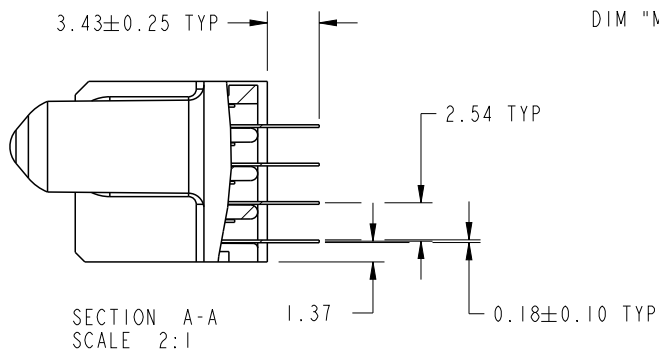


CODE	DIM "M" MATING LENGTH	CONTACT TYPE
E	[N/A]	SIGNAL
HA	[N/A]	HOLD-DOWN
PG	[1.07]	POWER
PH	[2.34]	POWER

spec ref	*	dr	De-Ming Lu	2014/08/29	projection	MM	size	A4	scale	1:1
tolerance std	TOLERANCES UNLESS OTHERWISE SPECIFIED	eng	De-Ming Lu	2014/09/14			ecn no	-	rel level	Released
SEE NOTE		chr	-	-						
surface	✓	appr	Pei-Ming Zheng	2014/09/14	product family	PwrBlade		rev	A	
linear		0.X	±0.5		title	3ACP + 16S	dwg no	51940-547	sheet 1 of 4	
	0.XX	±0.25								
angular	0°	±2°								
		www.fci.com	cat. no.	*	Product - Customer Drw					

PRODUCT NUMBER

51940-547\_\_  
NOTE: 3



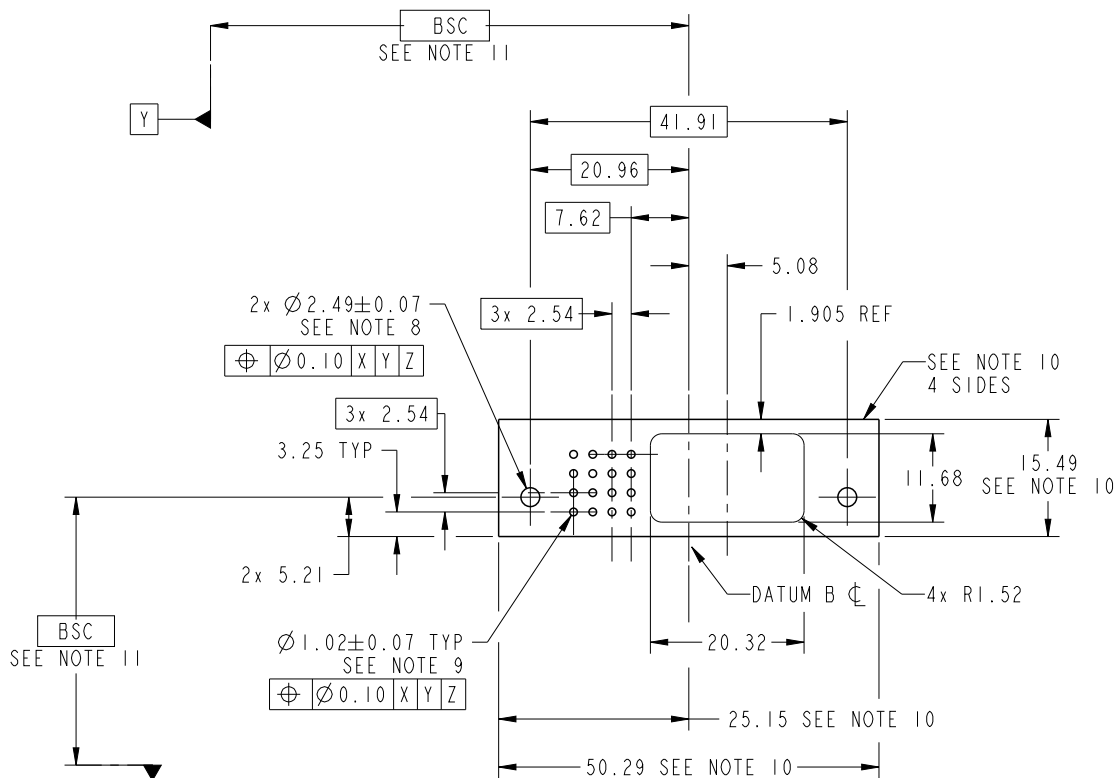
dr	De-Ming Lu	2014/08/29	projection 	MM 	size	A4	scale	1:1
eng	De-Ming Lu	2014/09/14			ecn no	-		
chr	-	-			rel level	Released		
appr	Pei-Ming Zheng	2014/09/14	product family	PwrBlade	rev	A		
		title 3ACP + 16S VERTICAL SOLDER RECEPT	dwg no 51940-547	cat. no. *	Product - Customer Drw	sheet 2 of 4		



Copyright FCI.

PRODUCT NUMBER

51940-547\_\_  
NOTE: 3



RECOMMENDED PCB LAYOUT

dr	De-Ming Lu	2014/08/29	projection 	MM 	size	A4	scale	1:1
eng	De-Ming Lu	2014/09/14			ecn no	-		
chr	-	-			rel level	Released		
appr	Pei-Ming Zheng	2014/09/14	product family	PwrBlade	rev	A		
		title 3ACP + 16S VERTICAL SOLDER RECEPT		dwg no 51940-547	www.fci.com	cat. no. *	Product - Customer Drw	sheet 3 of 4

PRODUCT NUMBER

51940-547--  
NOTE: 3

NOTES:

1. DIMENSIONS AND TOLERANCES ARE IN ACCORDANCE WITH ASME Y14.5M, 1994 UNLESS OTHERWISE SPECIFIED.

CONNECTOR NOTES:

- 2 HOUSING MATERIAL: UL 94 V-0 GLASS FILLED HIGH-TEMP THERMOPLASTIC  
POWER CONTACT MATERIAL: COPPER ALLOY  
SIGNAL PIN MATERIAL: COPPER ALLOY
  - 3. SEE ITEM 5 & 6 IN PRINT 10064183 FOR PLATING SPEC OF 51940-547 AND 51940-547LF RESPECTIVELY.
  - 4 MANUFACTURER'S NAME, DATE CODE AND OPTIONAL P/N TO APPEAR ON THIS SURFACE. THE MARK CAN BE OMITTED IF THERE IS NOT ENOUGH SPACE ON THIS SURFACE.
  - 5. PRODUCT SPECIFICATION GS-12-149.  
APPLICATION SPECIFICATION BUS-20-067.
  - 6. PACKAGED IN TRAYS.
- PCB NOTES:
- 7. ALL HOLE DIAMETERS ARE FINISHED HOLE SIZE.
  - 8 MOUNTING HOLES, WHERE APPLICABLE, ARE UNPLATED.
  - 9  $\varnothing 1.151 \pm 0.025$  DRILLED HOLES PLATED WITH  
0.008 MIN SnPb OR Sn OVER 0.03  
TO 0.08 Cu PLATING TO ACHIEVE  
 $\varnothing 1.02 \pm 0.07$  HOLE.
  - 10 CONNECTOR KEEP-OUT ZONE.
  - 11. THE VOID CORING IN BETWEEN POWER MODULES, SIGNAL MODULES AND END MODULES ARE OPTIONAL AND THE SHAPE MAY BE DIFFERENT FOR OPTIMIZE THE MOLDING PROCESS. THE VOID CORING WILL NOT EFFECT TO PRODUCT FUNCTION.
  - 12. DATUM AND BASIC DIMENIONS ARE ESTABLISHED BY CUSTOMER.

dr	De-Ming Lu	2014/08/29	projection 	MM 	size	A4	scale	1:1	
eng	De-Ming Lu	2014/09/14			ecn no	-			
chr	-	-							
appr	Pei-Ming Zheng	2014/09/14	product family	PwrBlade	rel level	Released			
	title	3ACP + 16S VERTICAL SOLDER RECEPT			dwg no	51940-547		rev	A
www.fci.com	cat. no.	*	Product - Customer Drw			sheet 4 of 4			



Copyright FCI.