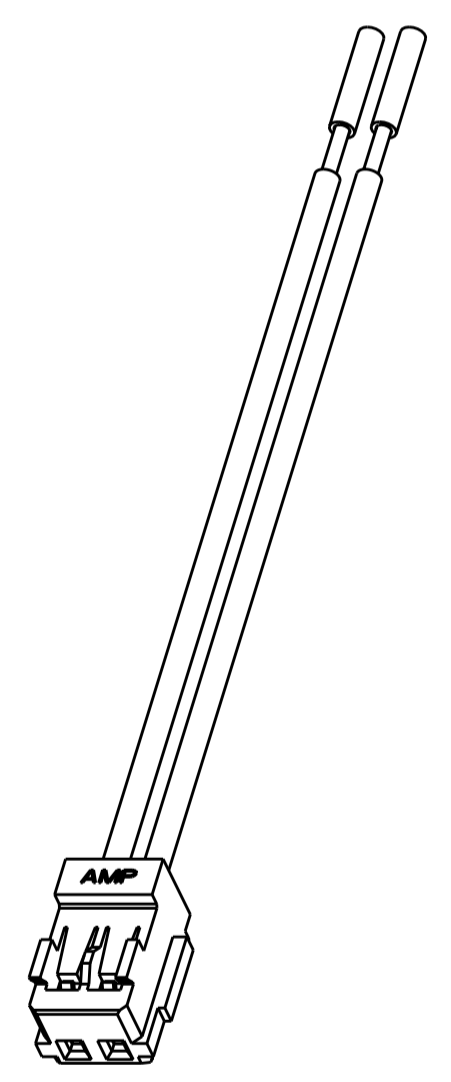
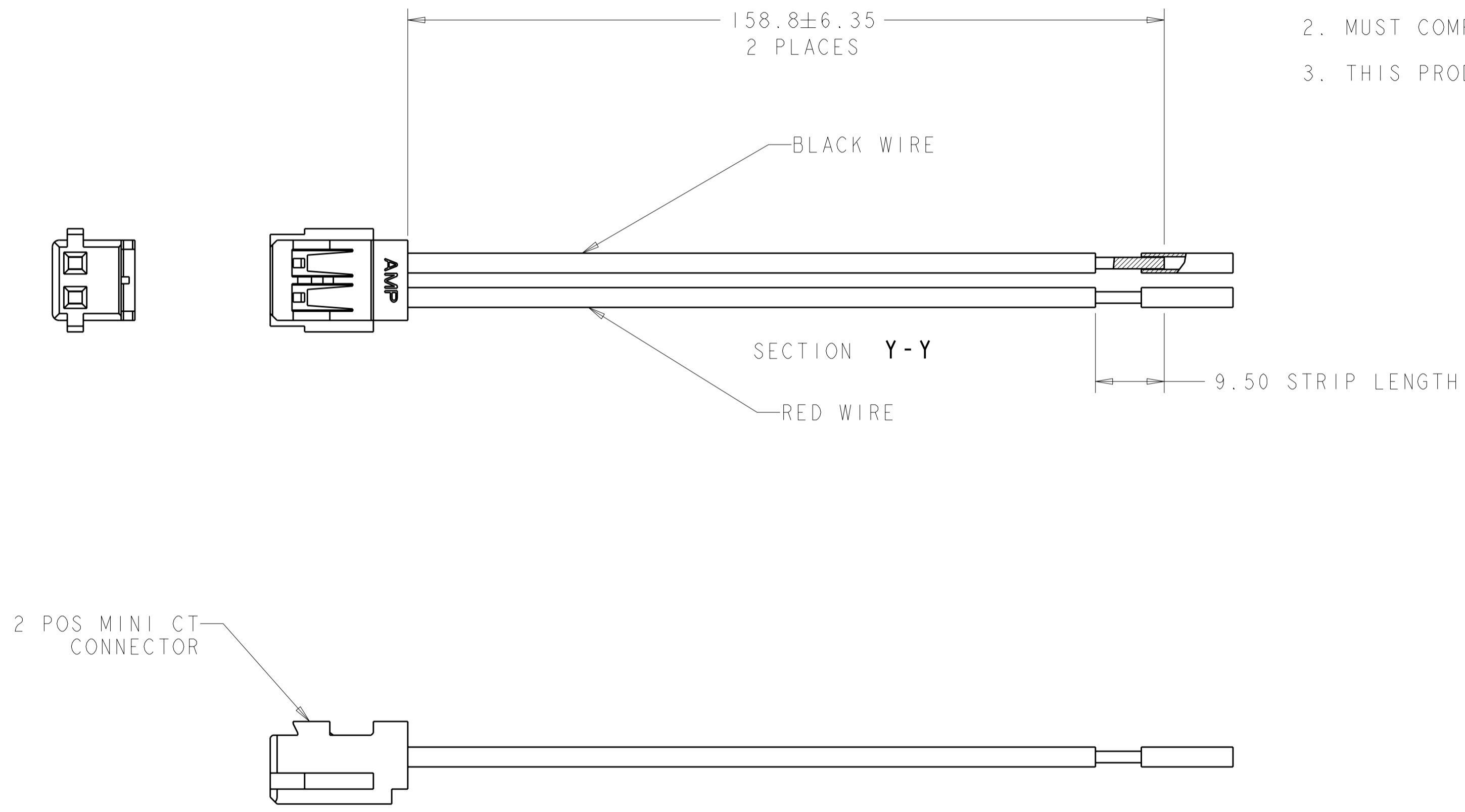


THIS DRAWING IS UNPUBLISHED. RELEASED FOR PUBLICATION 20
 © COPYRIGHT 20 BY TYCO ELECTRONICS CORPORATION. ALL RIGHTS RESERVED.

LOC		DIST		REVISIONS			
P	LTR	DESCRIPTION	DATE	DWN	APVD		
	1	PRELIMINARY	19AUG2008	SF	DF		
	2	REVERSE WIRES	22AUG2008	SF	DF		
	3	INCREASE LENGTH TO 6"	26AUG2008	SF	DF		
	4	INCREASE LENGTH	15OCT2008	SF	DF		

NOTES:

- △ MATERIALS AND FINISH:
 - HOUSING: NYLON, COLOR: BLACK
 - CONTACTS: COPPER ALLOY, FINISH: PRE-TINNED
 - WIRE: 24 AWG, UL 1061 STYLE
- 2. MUST COMPLY WITH DIRECTIVE 2002/95/EC (ROHS)
- 3. THIS PRODUCT HAS NOT COMPLETED VALIDATION TESTING



SCALE 4:1

TYCO ELECTRONICS
 CONFIDENTIAL
 AND PROPRIETARY

 PROPOSED DESIGN

 NOT PRODUCTION TOOLED

 DESIGN IS SUBJECT TO
 CHANGE WITHOUT NOTICE

2058706-1
 PART NO.

<small>THIS DRAWING IS A CONTROLLED DOCUMENT FOR TYCO ELECTRONICS CORPORATION IT IS SUBJECT TO CHANGE AND THE CONTROLLING ENGINEERING ORGANIZATION SHOULD BE CONTACTED FOR THE LATEST REVISION.</small>		DWN S. FISHER 15OCT2008 CHK D. FLEMING 15OCT2008 APVD - PRODUCT SPEC - APPLICATION SPEC 114-5245 WEIGHT - CUSTOMER DRAWING	Tyco Electronics Harrisburg, PA 17105-3608 NAME CABLE ASSEMBLY CT 2 POSITION SIZE A2 CAGE CODE 00779 DRAWING NO. 2058706 RESTRICTED TO - SCALE 6:1 SHEET 1 OF 1 REV 4
DIMENSIONS: mm 	TOLERANCES UNLESS OTHERWISE SPECIFIED: 0 PLC ±- 1 PLC ±- 2 PLC ±- 3 PLC ±- 4 PLC ±- ANGLES ±- FINISH △	△	△