

170071-1001
APPEARANCE

170071-4001 SHOWN FOR REFERENCE
APPEARANCE MAY VARY WITH SIZE

NOTES:

1. MATERIAL:

CAGE: NICKEL SILVER
CONNECTOR HOUSING: GLASS FILLED THERMOPLASTIC, UL: 94V-0, COLOR: BLACK
TERMINALS: HIGH PERFORMANCE COPPER ALLOY
FRONT SHIELD WALL: COPPER ALLOY
ELASTOMERIC GASKET: SILVER IMPREGNATED SILICONE

2. FINISH

TERMINALS: CONTACT AREA: 0.76 μm MIN. HARD GOLD OVER
3.8 μm MIN. NICKEL.
COMPLIANT TAIL: 0.7-1.5 μm MATTE TIN OVER
0.7-1.5 μm NICKEL
FRONT SHIELD WALL: 0.7-1.5 μm NICKEL OVERALL

3. 2X4 CONFIGURATION SHOWN FOR REFERENCE, SEE CHART FOR AVAILABLE OPTIONS

4. REFER TO PS-170071-0001 FOR ALL ELECTRICAL, MECHANICAL AND ENVIRONMENTAL SPECIFICATIONS.

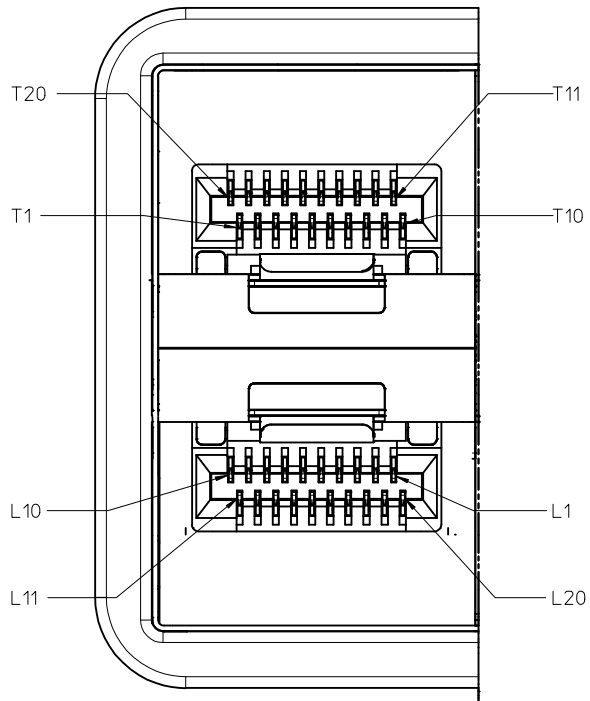
5. REFER TO AS-170071-0001 FOR CONNECTOR MOUNTING AND REWORK INFORMATION.

6. REFER TO AS-170071-0002 FOR PCB ROUTING RECOMMENDATIONS.

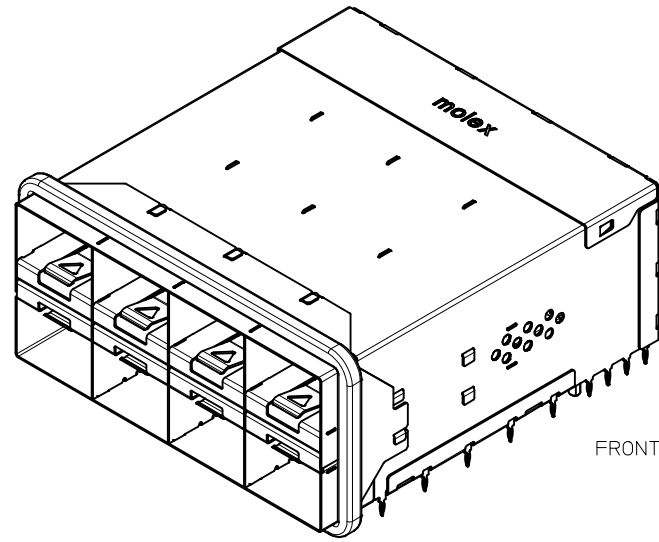
7. ALL VISIBLE EXTERIOR SURFACES TO BE CLASS "B" (BOTTOM OF CONNECTOR IS CLASS "C") CAGE SURFACES TO CONFORM TO THE MOLEX COSMETIC DOC PS-45499-002.

PORT SIZE	PART NUMBER	DIM X	DIM Y
2X1	1700711001	14.50	15.10
2X2	1700712001	28.75	29.35
2X4	1700714001	57.25	57.85
2X6	1700716001	85.75	86.35
2X8	1700718001	114.25	114.85
2X12	1700711201	171.25	171.85

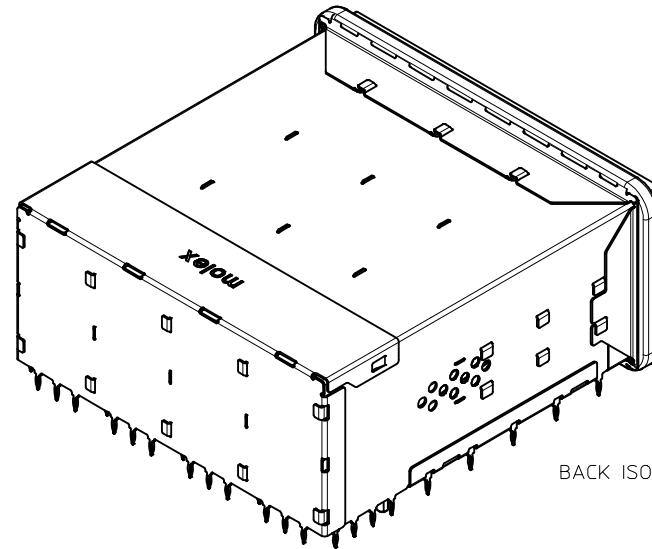
ADDED GENERAL TOL EC NO: UCP2016-3736 DRWINWEMPEGONDA 2016/07/25 CHKD: APPR:SMILLER 2016/08/15	QUALITY SYMBOLS ∇=0 ∇=0 ∇=0	GENERAL TOLERANCES (UNLESS SPECIFIED) <table border="1"> <thead> <tr> <th></th> <th>mm</th> <th>INCH</th> </tr> </thead> <tbody> <tr> <td>4 PLACES</td> <td>± ---</td> <td>± ---</td> </tr> <tr> <td>3 PLACES</td> <td>± ---</td> <td>± ---</td> </tr> <tr> <td>2 PLACES</td> <td>± 0.13</td> <td>± ---</td> </tr> <tr> <td>1 PLACE</td> <td>± 0.25</td> <td>± ---</td> </tr> <tr> <td>0 PLACE</td> <td>±</td> <td>±</td> </tr> </tbody> </table>		mm	INCH	4 PLACES	± ---	± ---	3 PLACES	± ---	± ---	2 PLACES	± 0.13	± ---	1 PLACE	± 0.25	± ---	0 PLACE	±	±	DIMENSION STYLE MM ONLY DRAWN BY DATE JGONZALEZ01 2010/05/27 CHECKED BY DATE JKACHLIC 2010/06/03 APPROVED BY DATE MBANAKIS 2010/10/24	SCALE 2:1 DESIGN UNITS METRIC THIRD ANGLE PROJECTION	TITLE ZSFP+ STACKED FULL ASSY WITH ELASTOMERIC GASKET molex DOCUMENT NO. SD-170071-0001	SHEET NO. 1 OF 4
		mm	INCH																					
	4 PLACES	± ---	± ---																					
	3 PLACES	± ---	± ---																					
2 PLACES	± 0.13	± ---																						
1 PLACE	± 0.25	± ---																						
0 PLACE	±	±																						
DRAFT WHERE APPLICABLE MUST REMAIN WITHIN DIMENSIONS		MATERIAL NO. SEE CHART	THIS DRAWING CONTAINS INFORMATION THAT IS PROPRIETARY TO MOLEX INCORPORATED AND SHOULD NOT BE USED WITHOUT WRITTEN PERMISSION																					
		ANGULAR ±1/2°																						
		SIZE C																						



Partial1
SCALE 6:1

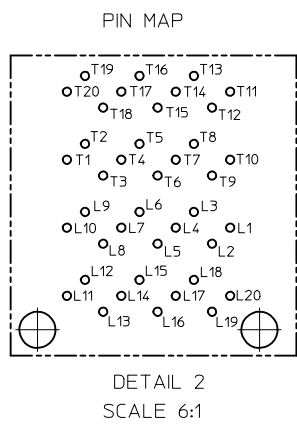
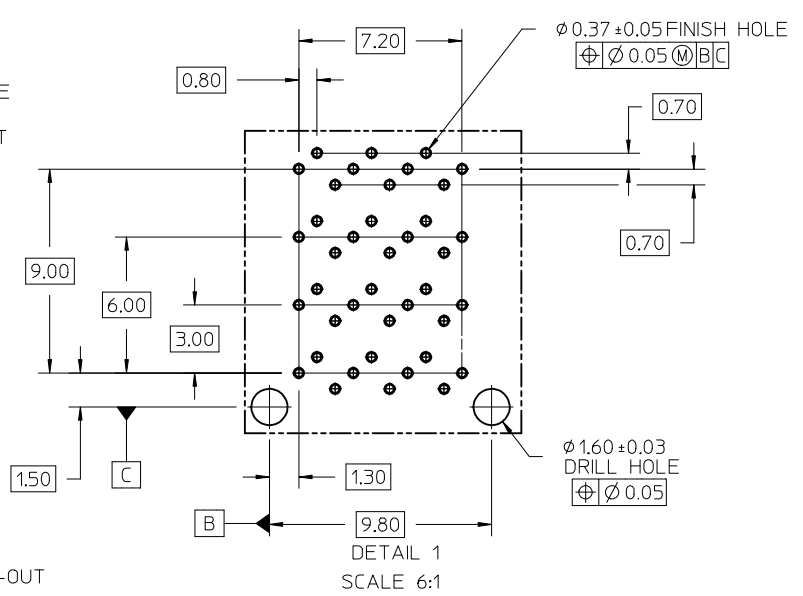
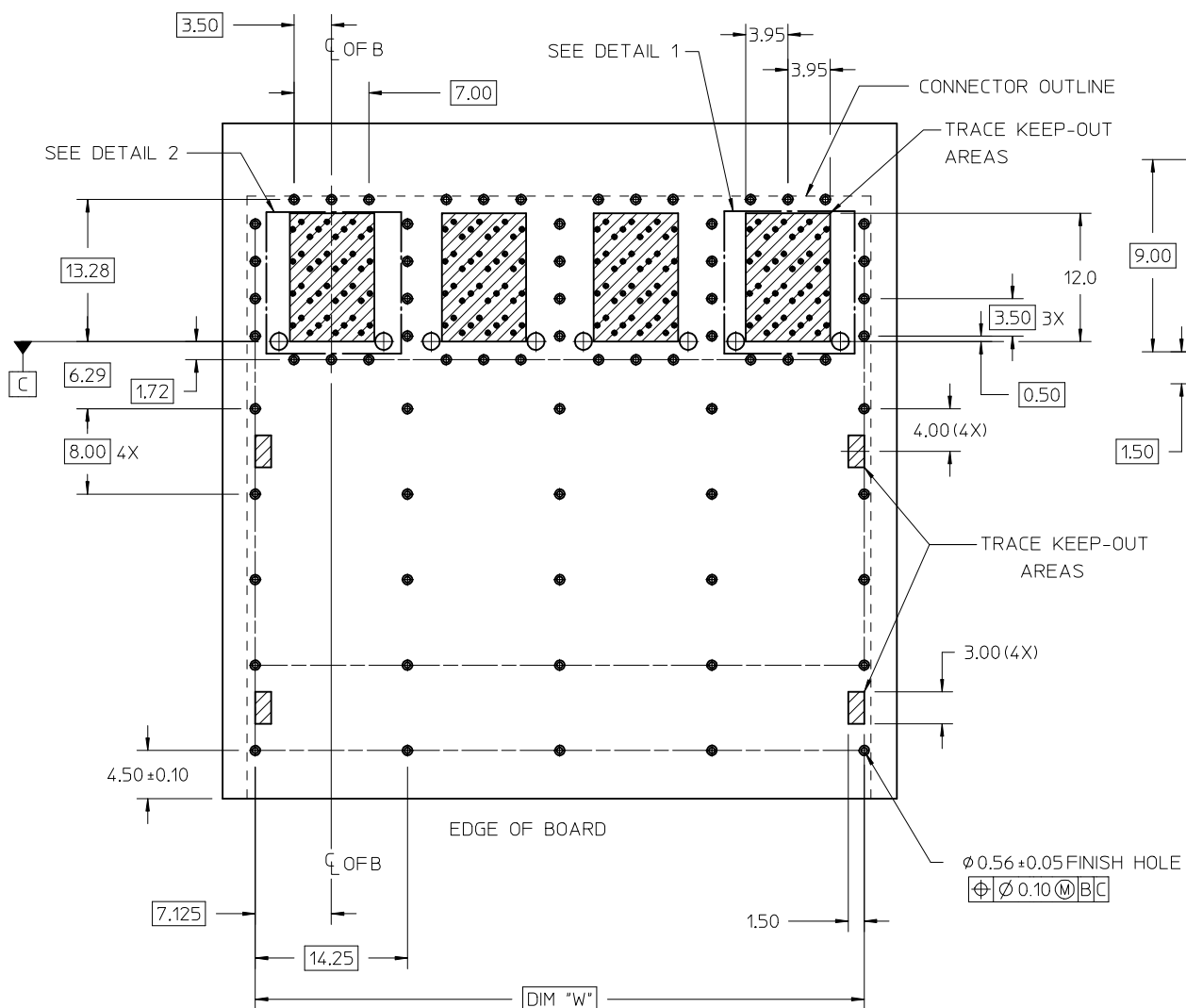


FRONT ISO VIEW



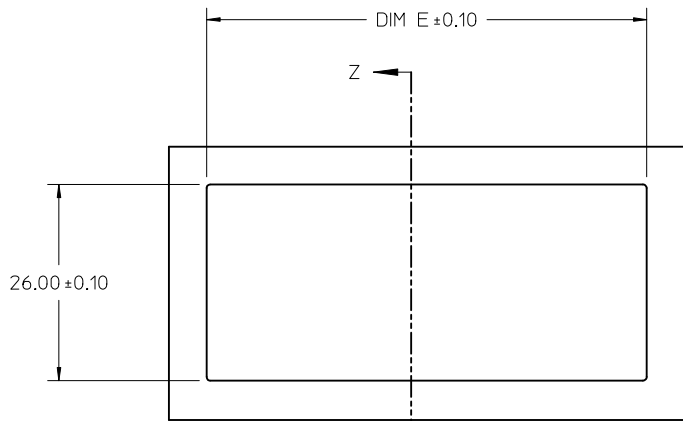
BACK ISO VIEW

SEE SHEET 1 EC NO: UCP2016-3736 DRAWN: MKEPECOWDA 2016/07/25 CHKD: APPR: SMILLER 2016/08/15 DESCRIPTION	QUALITY SYMBOLS	GENERAL TOLERANCES (UNLESS SPECIFIED)	DIMENSION STYLE	SCALE	DESIGN UNITS	THIRD ANGLE PROJECTION
	▽=0	mm INCH	MM ONLY	2:1	METRIC	
	▽=0	4 PLACES ± --- ± ---	DRAWN BY DATE	TITLE		
	▽=0	3 PLACES ± --- ± ---	JKACHLIC 2010/06/03	ZSFP+ STACKED FULL ASSY WITH ELASTOMERIC GASKET		
	▽=0	2 PLACES ± 0.13 ± ---	MBANAKIS 2010/10/24			
	1 PLACE ± 0.25 ± ---	ANGULAR ±1/2°	SEE CHART	DOCUMENT NO.	SHEET NO.	
	0 PLACE ± ±	DRAFT WHERE APPLICABLE MUST REMAIN WITHIN DIMENSIONS	SIZE C	SD-170071-0001	2 OF 4	
THIS DRAWING CONTAINS INFORMATION THAT IS PROPRIETARY TO MOLEX INCORPORATED AND SHOULD NOT BE USED WITHOUT WRITTEN PERMISSION						

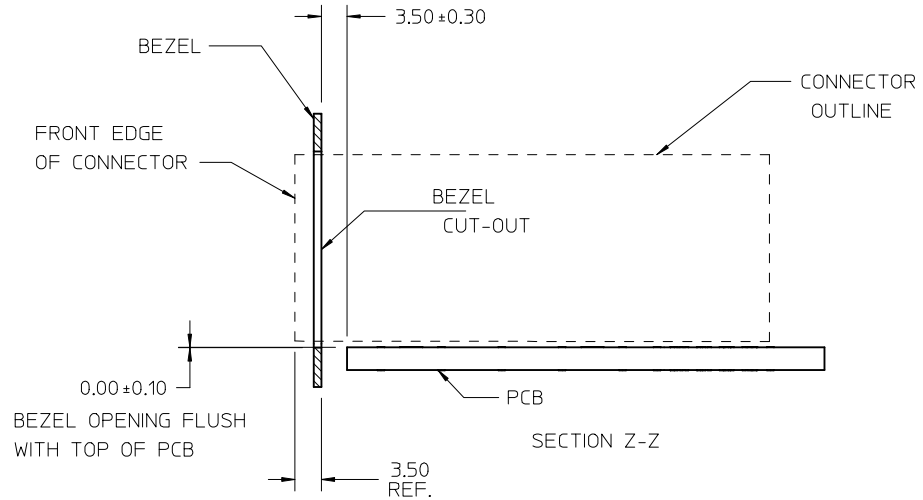


HOLE CHART				
PORT SIZE	DIM "W"	SIGNALS (Ø0.37)	SHIELD GROUND (Ø0.56)	CONNECTOR LOCATION (Ø1.60)
2X1	14.25	40	24	2
2X2	28.50	80	39	4
2X4	57.00	160	69	8
2X6	85.50	240	99	12
2X8	114.00	320	129	16
2X12	171.00	480	189	24

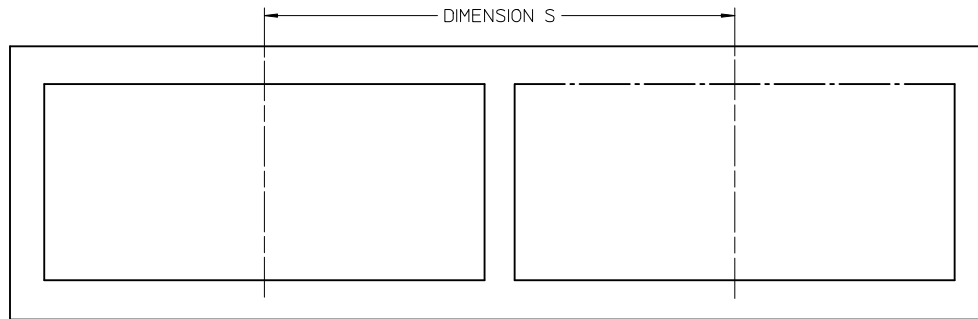
SEE SHEET 1 EC NO: UCP2016-3736 DRWINGKEMPEGONDA 2016/07/25 CHKD: MILLER APPR: SMILLER 2016/08/15	QUALITY SYMBOLS $\nabla = 0$ $\nabla = 0$ $\nabla = 0$	GENERAL TOLERANCES (UNLESS SPECIFIED) <table border="1"> <tr> <th></th> <th>mm</th> <th>INCH</th> </tr> <tr> <td>4 PLACES</td> <td>± 0.13</td> <td>± 0.005</td> </tr> <tr> <td>3 PLACES</td> <td>± 0.13</td> <td>± 0.005</td> </tr> <tr> <td>2 PLACES</td> <td>± 0.13</td> <td>± 0.005</td> </tr> <tr> <td>1 PLACE</td> <td>± 0.25</td> <td>± 0.010</td> </tr> <tr> <td>0 PLACE</td> <td>±</td> <td>±</td> </tr> </table>		mm	INCH	4 PLACES	± 0.13	± 0.005	3 PLACES	± 0.13	± 0.005	2 PLACES	± 0.13	± 0.005	1 PLACE	± 0.25	± 0.010	0 PLACE	±	±	DIMENSION STYLE MM ONLY DRAWN BY DATE JGONZALEZ01 2010/05/27 CHECKED BY DATE JKACHLIC 2010/06/03 APPROVED BY DATE MBANAKIS 2010/10/24	SCALE 3:1 DESIGN UNITS METRIC THIRD ANGLE PROJECTION	TITLE ZSFP+ STACKED FULL ASSY WITH ELASTOMERIC GASKET
		mm	INCH																				
	4 PLACES	± 0.13	± 0.005																				
	3 PLACES	± 0.13	± 0.005																				
2 PLACES	± 0.13	± 0.005																					
1 PLACE	± 0.25	± 0.010																					
0 PLACE	±	±																					
DRAFT WHERE APPLICABLE MUST REMAIN WITHIN DIMENSIONS		MATERIAL NO. SEE CHART	DOCUMENT NO. SD-170071-0001																				
THIS DRAWING CONTAINS INFORMATION THAT IS PROPRIETARY TO MOLEX INCORPORATED AND SHOULD NOT BE USED WITHOUT WRITTEN PERMISSION																							
					SHEET NO. 3 OF 4																		



BEZEL CUT-OUT DETAIL
BEZEL THICKNESS 0.8-2.6



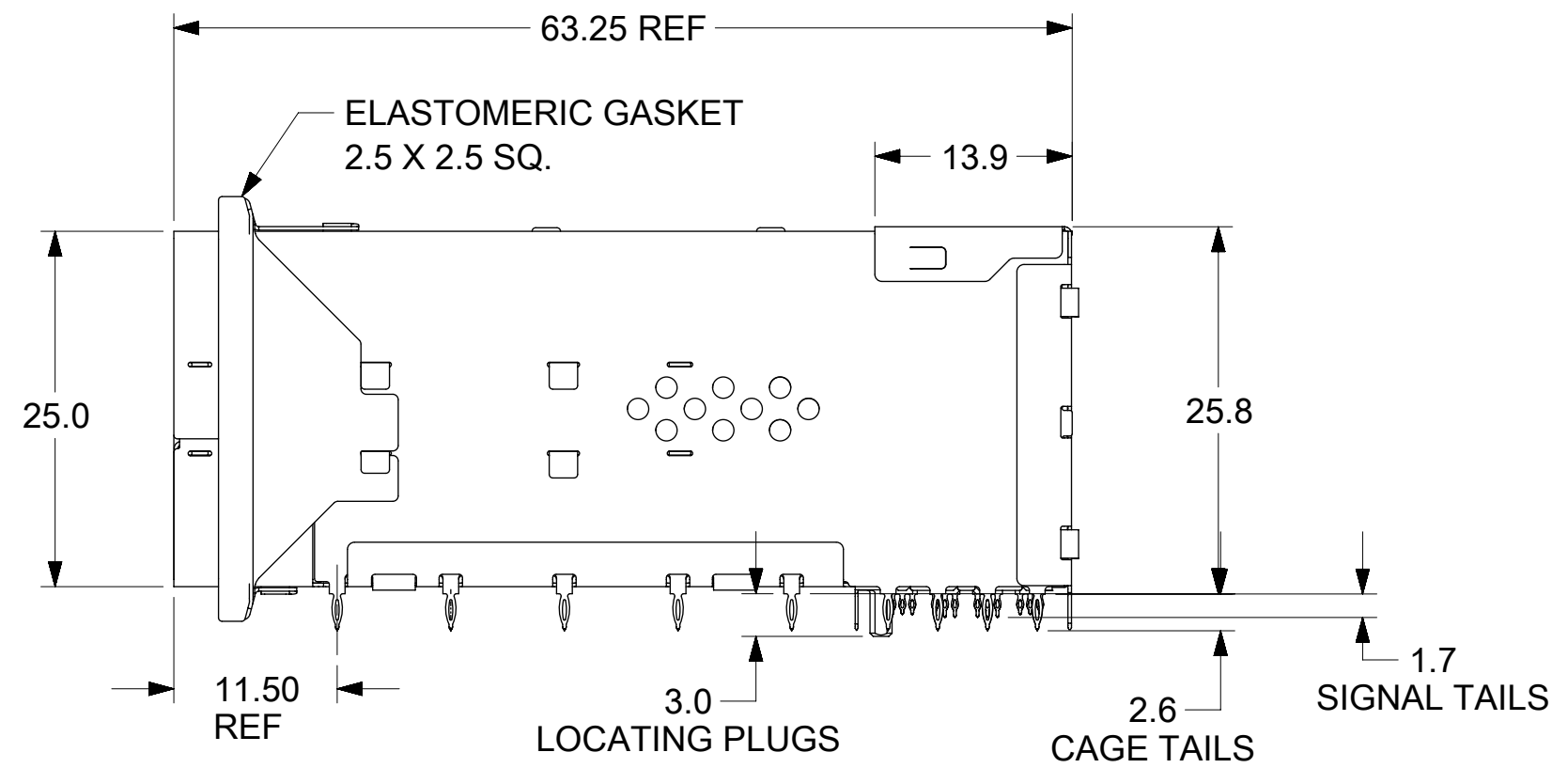
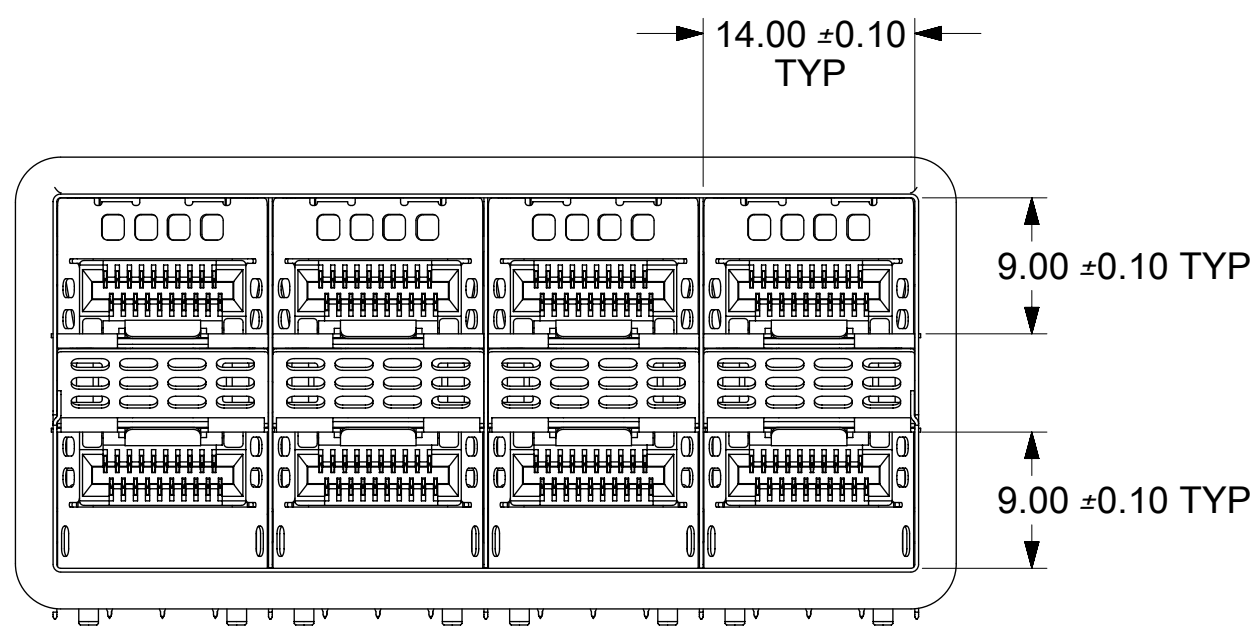
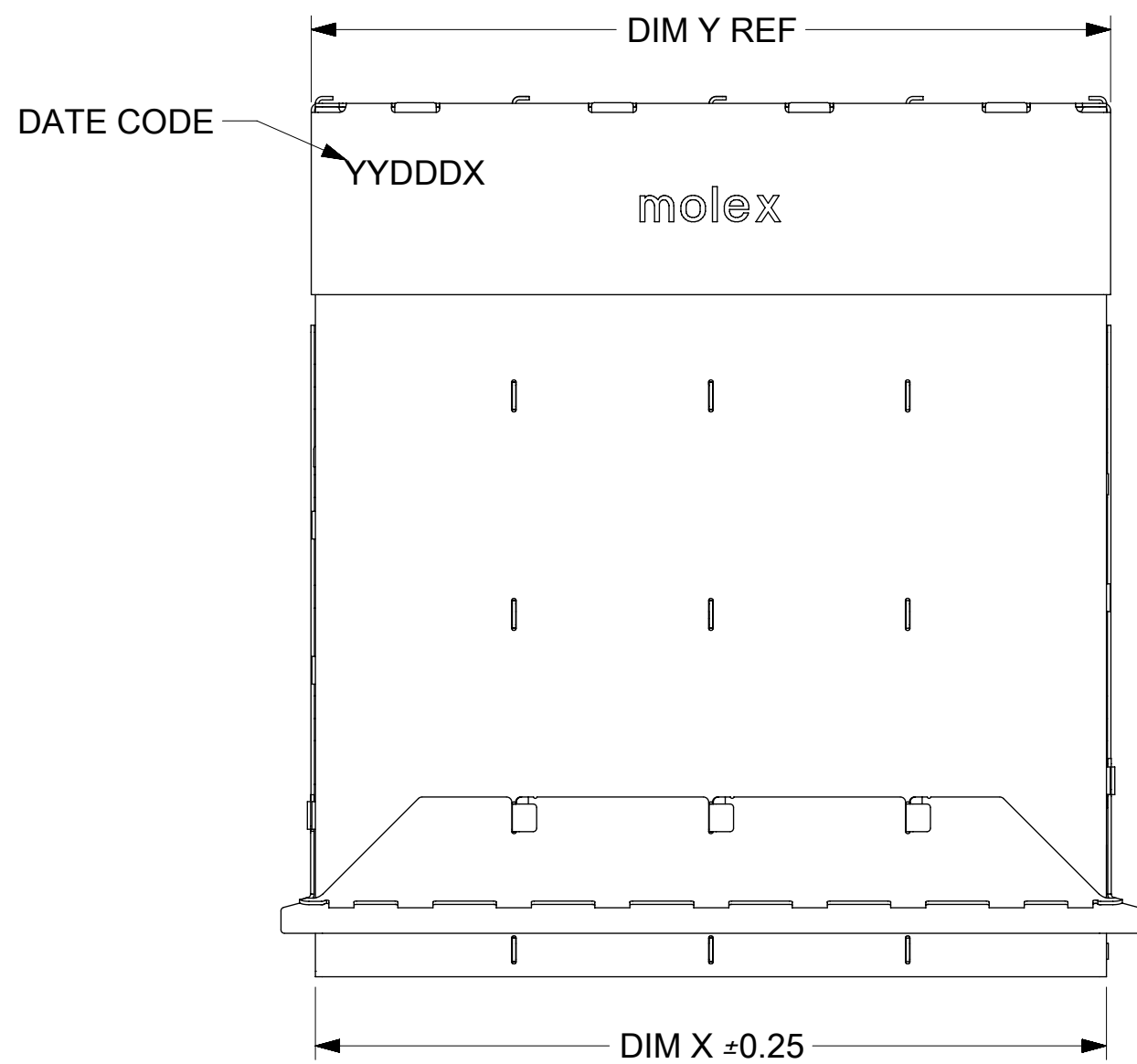
SECTION Z-Z



BEZEL CUT OUT FOR
CONNECTOR STACKING

CONFIGURATION	DIM 'E'	DIM 'S'
2X1	15.50	20.40 MINIMUM
2X2	29.75	34.65 MINIMUM
2X4	58.25	63.15 MINIMUM
2X6	86.75	91.65 MINIMUM
2X8	115.25	120.15 MINIMUM
2X12	172.25	177.15 MINIMUM

SEE SHEET 1 EC NO: UCP2016-3736 DRWING: KEMPEGONDA 2016/07/25 CHKD: MBANAKIS APPR: SMILLER 2016/08/15	QUALITY SYMBOLS	GENERAL TOLERANCES (UNLESS SPECIFIED)	DIMENSION STYLE	SCALE	DESIGN UNITS	THIRD ANGLE PROJECTION
	▽=0	mm INCH	MM ONLY	2:1	METRIC	
	▽=0	4 PLACES ± --- ± ---	DRAWN BY DATE	JGONZALEZ01 2010/05/27	TITLE	
	▽=0	3 PLACES ± --- ± ---	CHECKED BY DATE	JKACHLIC 2010/06/03	ZSFP+ STACKED FULL ASSY WITH ELASTOMERIC GASKET	
		2 PLACES ± 0.13 ± ---	APPROVED BY DATE	MATERIAL NO.		SHEET NO.
		1 PLACE ± 0.25 ± ---	MBANAKIS 2010/10/24	SEE CHART		4 OF 4
		0 PLACE ± ±		DOCUMENT NO.		
		ANGULAR ±1/2°		SD-170071-0001		
		DRAFT WHERE APPLICABLE MUST REMAIN WITHIN DIMENSIONS		THIS DRAWING CONTAINS INFORMATION THAT IS PROPRIETARY TO MOLEX INCORPORATED AND SHOULD NOT BE USED WITHOUT WRITTEN PERMISSION		



170071-4004 SHOWN FOR REFERENCE
APPEARANCE MAY VARY WITH SIZE

NOTES:

1. MATERIAL:

CAGE: NICKEL SILVER
CONNECTOR HOUSING: GLASS FILLED THERMOPLASTIC, UL: 94V-0, COLOR: BLACK
TERMINALS: HIGH PERFORMANCE COPPER ALLOY
FRONT SHIELD WALL: COPPER ALLOY
ELASTOMERIC GASKET: SILVER IMPREGNATED SILICONE

2. FINISH

TERMINALS: CONTACT AREA: 0.76 μm MIN. HARD GOLD OVER 3.8 μm MIN. NICKEL.
COMPLIANT TAIL: 0.7-1.5 μm MATTE TIN OVER 0.7-1.5 μm NICKEL.
FRONT SHIELD WALL: 0.7-1.5 μm NICKEL OVERALL

3. 2X4 CONFIGURATION SHOWN FOR REFERENCE, SEE CHART FOR AVAILABLE OPTIONS.

4. REFER TO PS-170071-0001 FOR ALL ELECTRICAL, MECHANICAL AND ENVIRONMENTAL SPECIFICATIONS.

5. REFER TO AS-170071-0001 FOR CONNECTOR MOUNTING AND REWORK INFORMATION.

6. REFER TO AS-170071-0002 FOR PCB ROUTING RECOMMENDATIONS.

7. ALL SURFACES CLASS "C" PER MOLEX COSMETIC SPECIFICATION ES-171233-0001.

8. DATE CODE LOCATION SHOWN. DATE CODE FORMAT: YYDDDX.

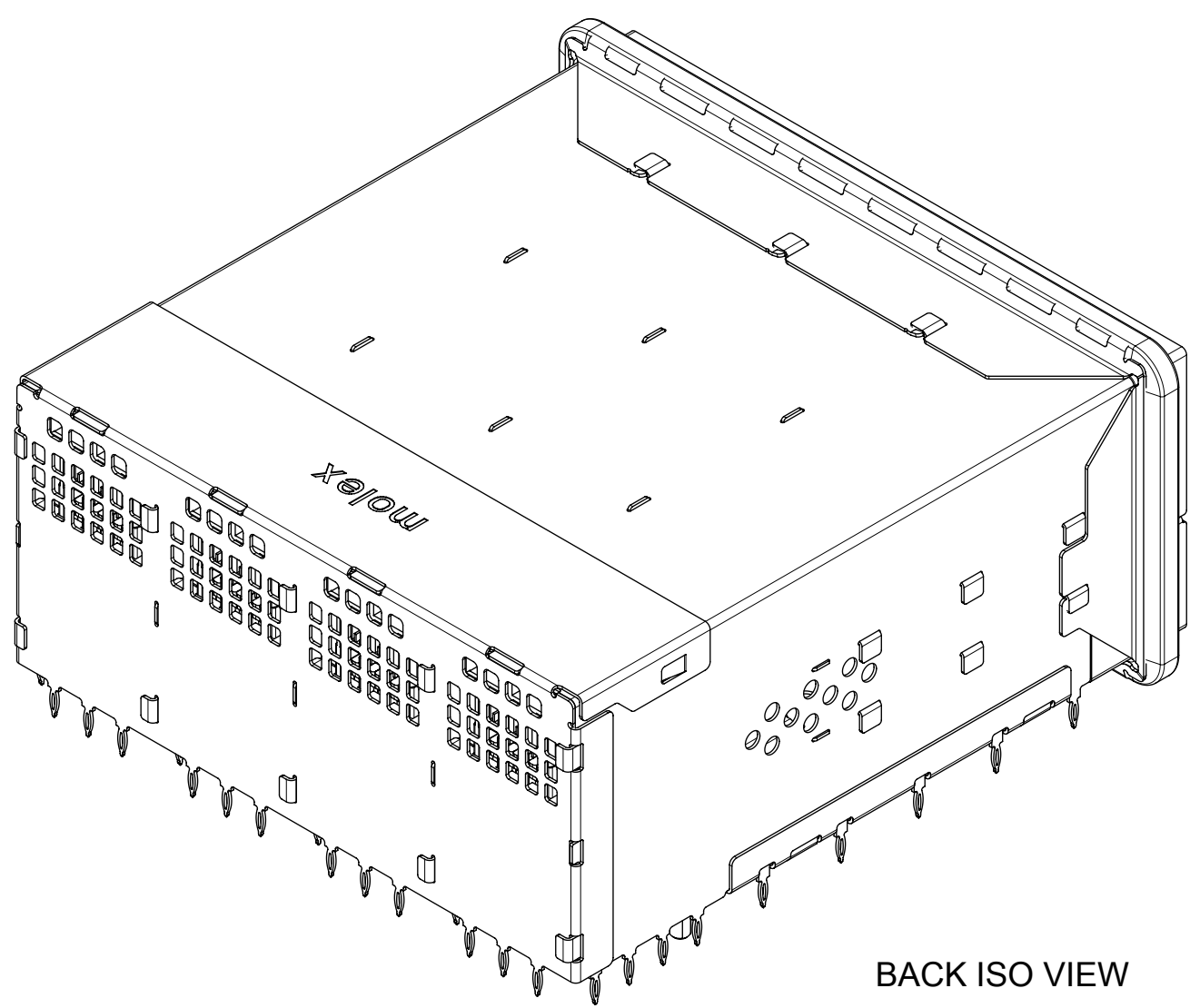
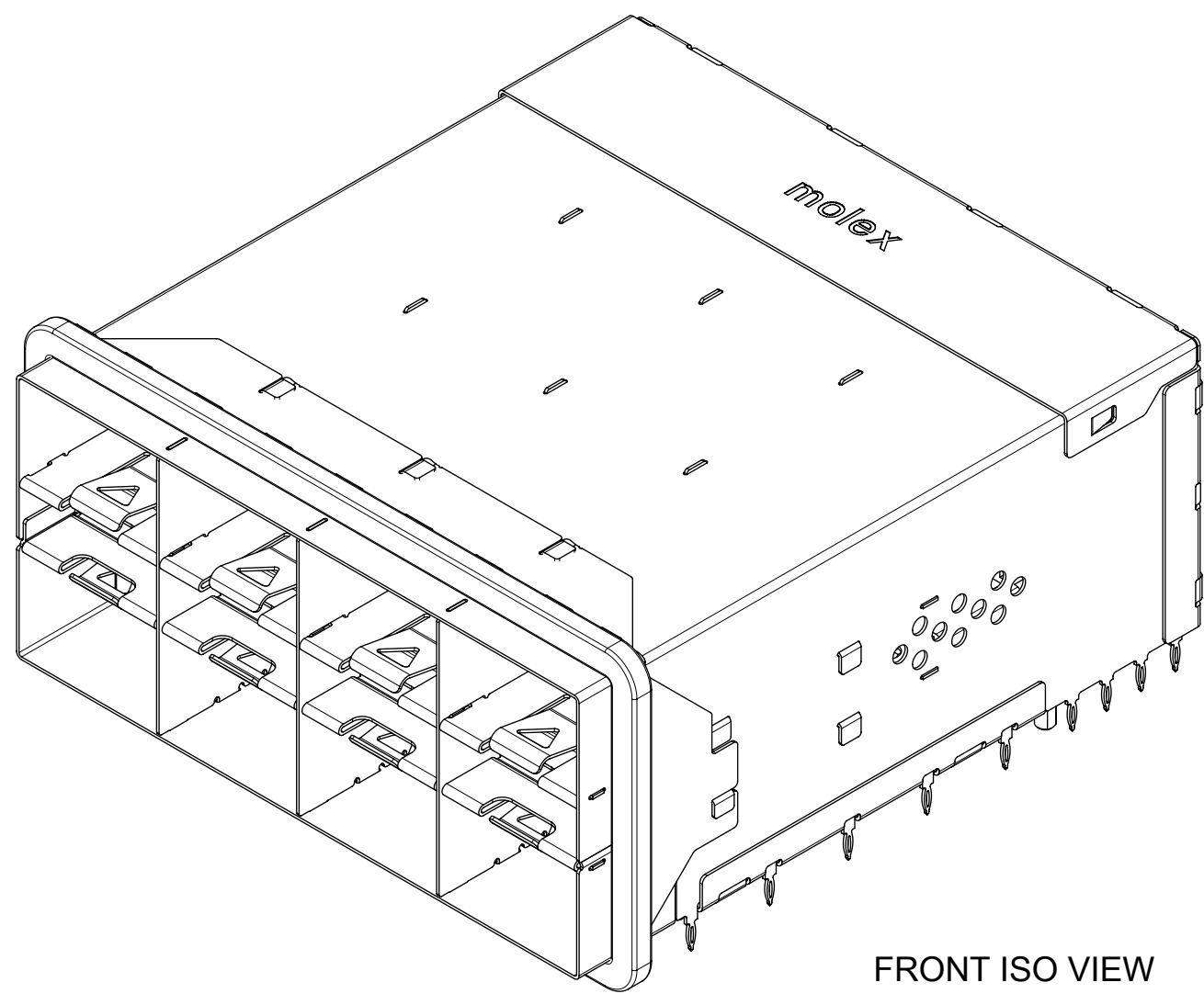
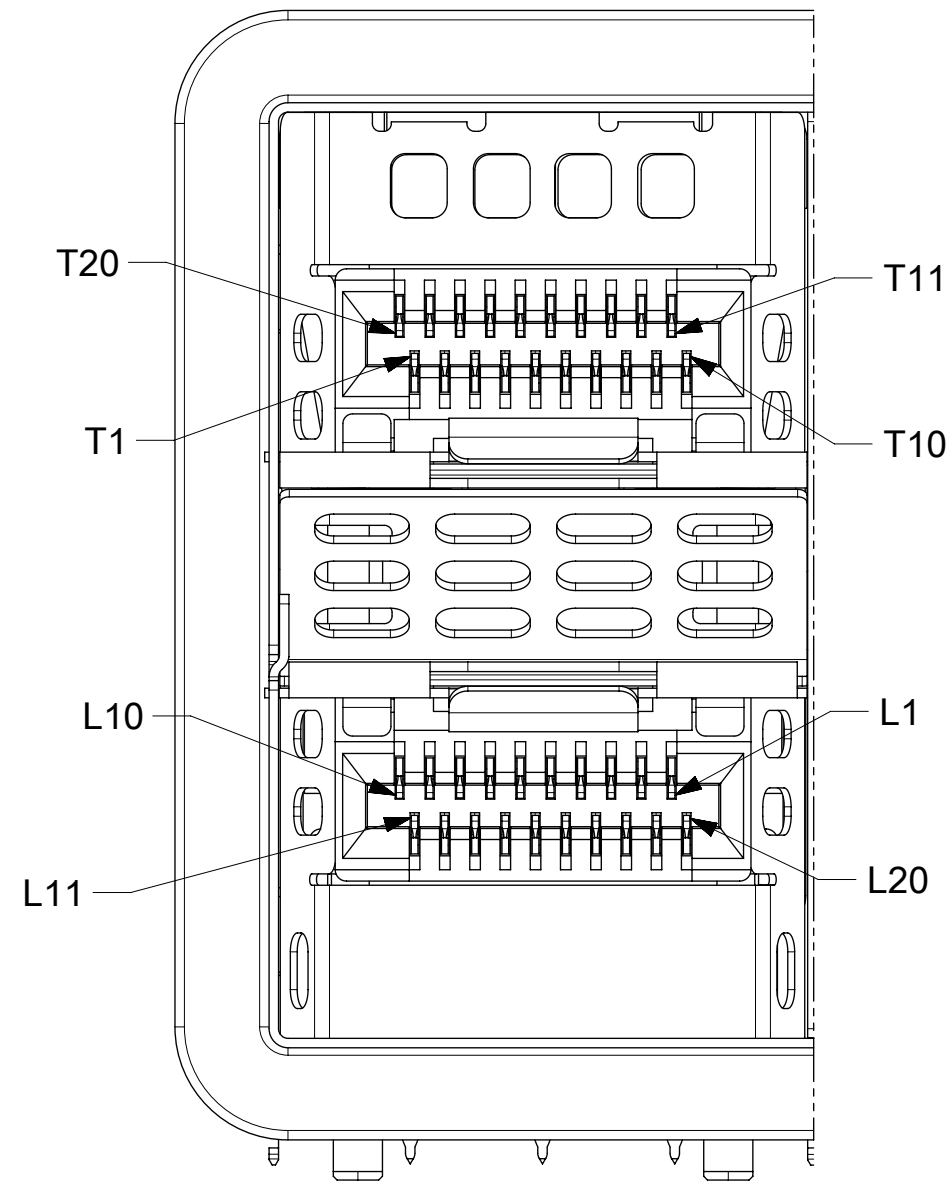
YY= LAST TWO DIGITS OF YEAR.

DDD= DAY OF THE YEAR

X= MOLEX INTERNAL CONTROL

PORT SIZE	PART NUMBER	DIM X	DIM Y
2X1	170071-1004	14.50	15.10
2X2	170071-2004	28.75	29.35
2X4	170071-4004	57.25	57.85
2X6	170071-6004	85.75	86.35
2X8	170071-8004	114.25	114.85
2X12	170071-1204	171.25	171.85

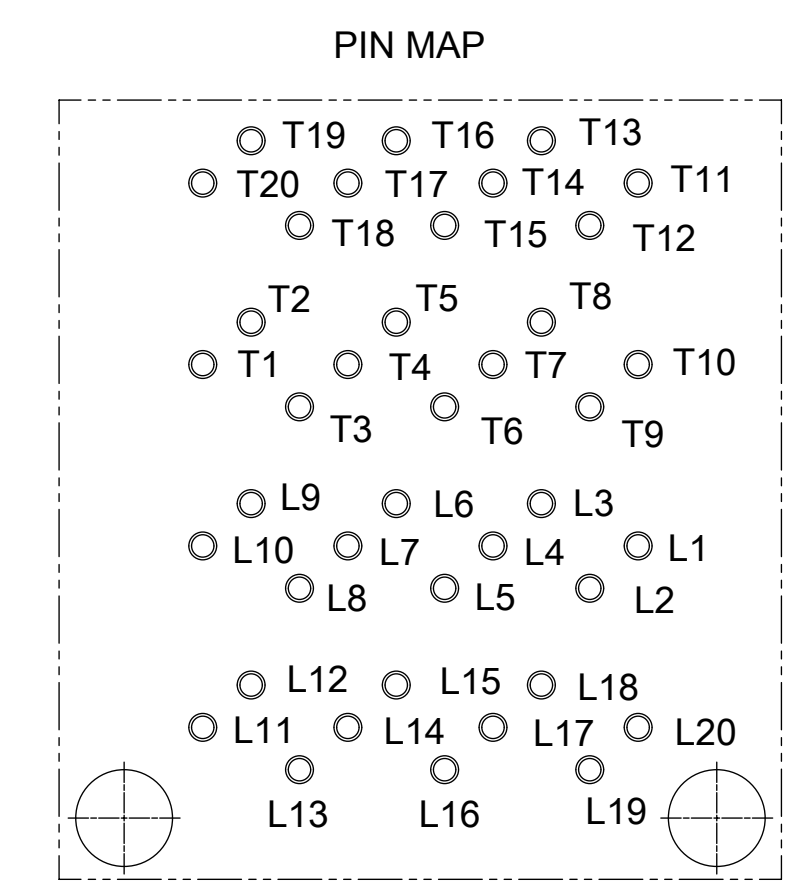
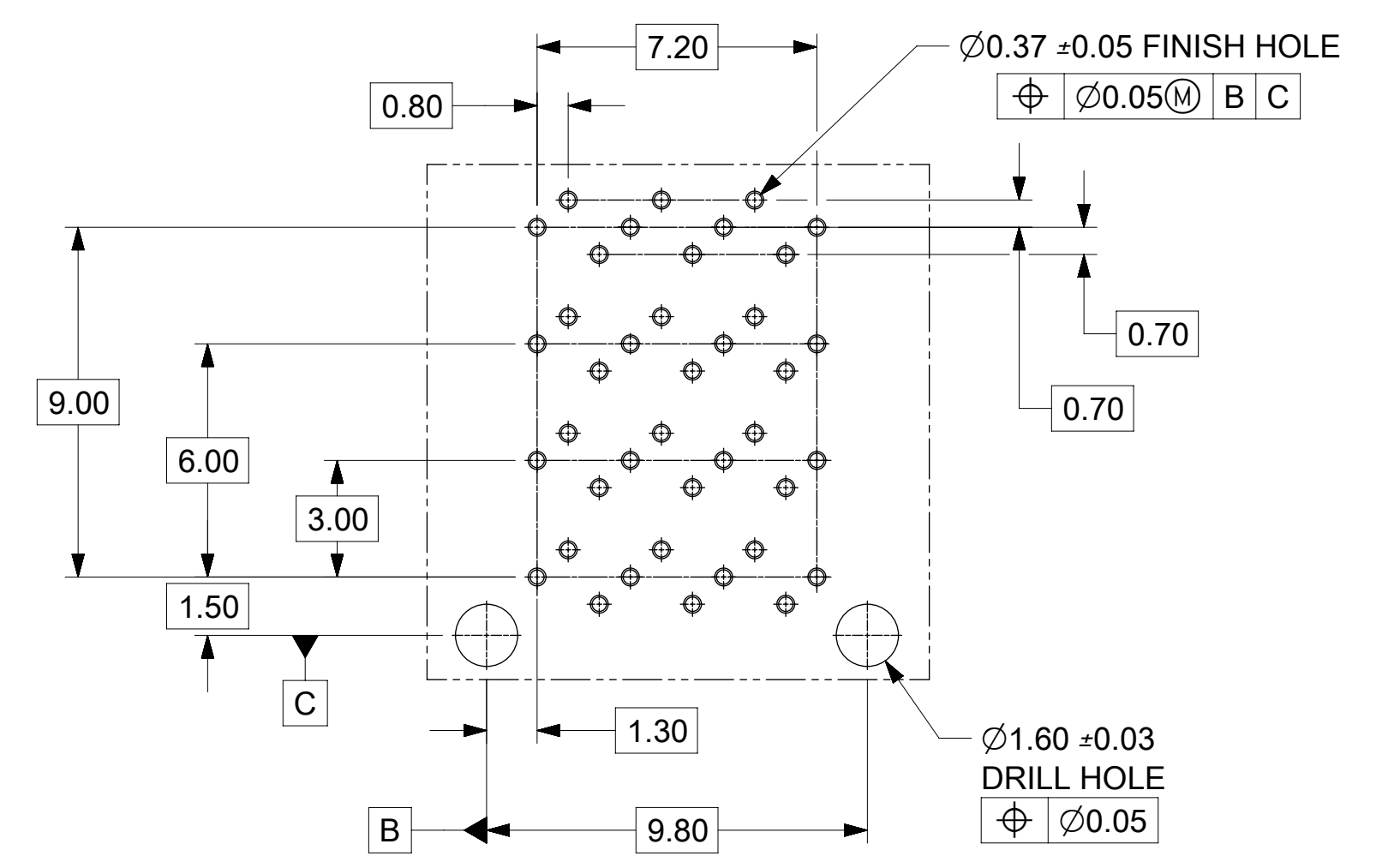
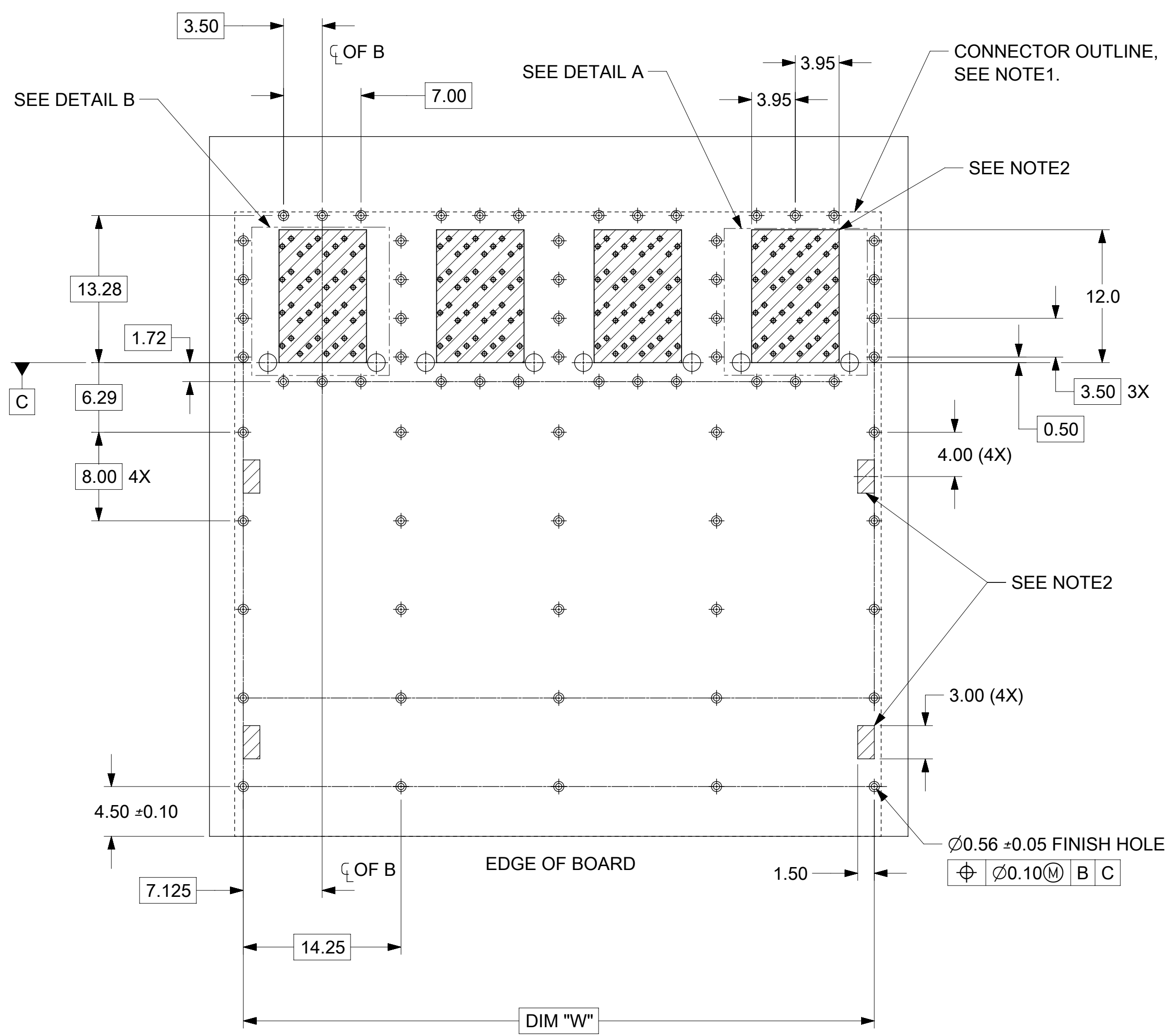
THIS DRAWING CONTAINS INFORMATION THAT IS PROPRIETARY TO MOLEX ELECTRONIC TECHNOLOGIES, LLC AND SHOULD NOT BE USED WITHOUT WRITTEN PERMISSION									
DIMENSION UNITS: mm		SCALE: 2:1		CURRENT REV DESC: SEE REVISION HISTORY				molex	
GENERAL TOLERANCES (UNLESS SPECIFIED)		ANGULAR TOL ± 0.5°		EC NO: 622761					
4 PLACES ±		3 PLACES ±		DRWN: TMARRI		2019/07/24		ZSFP+ STACKED FLOW THRU WITH ELASTOMERIC GASKET	
2 PLACES ± 0.13		1 PLACE ± 0.25		CHK'D: CWANG67		2019/08/22			
0 PLACES ±		DRAFT WHERE APPLICABLE MUST REMAIN WITHIN DIMENSIONS		APPR: RNELSON		2019/09/04		PRODUCT CUSTOMER DRAWING	
THIRD ANGLE PROJECTION		DRAWING: C-SIZE		SERIES: 170071		INITIAL REVISION: DRWN: JKACHLIC		DOCUMENT NUMBER: SD-170071-0004	
MATERIAL NUMBER: SEE CHART		CUSTOMER: GENERAL MARKET		SHEET NUMBER: 1 OF 5		DOC TYPE: PSD		DOC PART: 001	
REVISION: 1		DATE: 2015/06/24		DATE: 2015/06/25		DATE: 2015/06/25		REVISION: A	



THIS DRAWING CONTAINS INFORMATION THAT IS PROPRIETARY TO MOLEX ELECTRONIC TECHNOLOGIES, LLC AND SHOULD NOT BE USED WITHOUT WRITTEN PERMISSION

DIMENSION UNITS		SCALE		CURRENT REV DESC: SEE REVISION HISTORY				molex				
mm		1:1										
GENERAL TOLERANCES (UNLESS SPECIFIED)				EC NO: 622761				ZSFP+ STACKED FLOW THRU WITH ELASTOMERIC GASKET				
ANGULAR TOL ± 0.5°				DRWN: TMARRI 2019/07/24								
4 PLACES ±				CHK'D: CWANG67 2019/08/22								
3 PLACES ±				APPR: RNELSON 2019/09/04				PRODUCT CUSTOMER DRAWING				
2 PLACES ± 0.13				INITIAL REVISION:				DOCUMENT NUMBER				
1 PLACE ± 0.25				DRWN: JKACHLIC 2015/06/24				SD-170071-0004		DOC TYPE	DOC PART	REVISION
0 PLACES ±				APPR: MBANAKIS 2015/06/25				SEE CHART		GENERAL MARKET		A
DRAFT WHERE APPLICABLE MUST REMAIN WITHIN DIMENSIONS				THIRD ANGLE PROJECTION		DRAWING		MATERIAL NUMBER		SHEET NUMBER		
				C-SIZE		SERIES		CUSTOMER		2 OF 5		
				C-SIZE		170071		GENERAL MARKET		2 OF 5		

DOCUMENT STATUS	P1	RELEASE DATE	2019/09/04 07:37:08
-----------------	----	--------------	---------------------

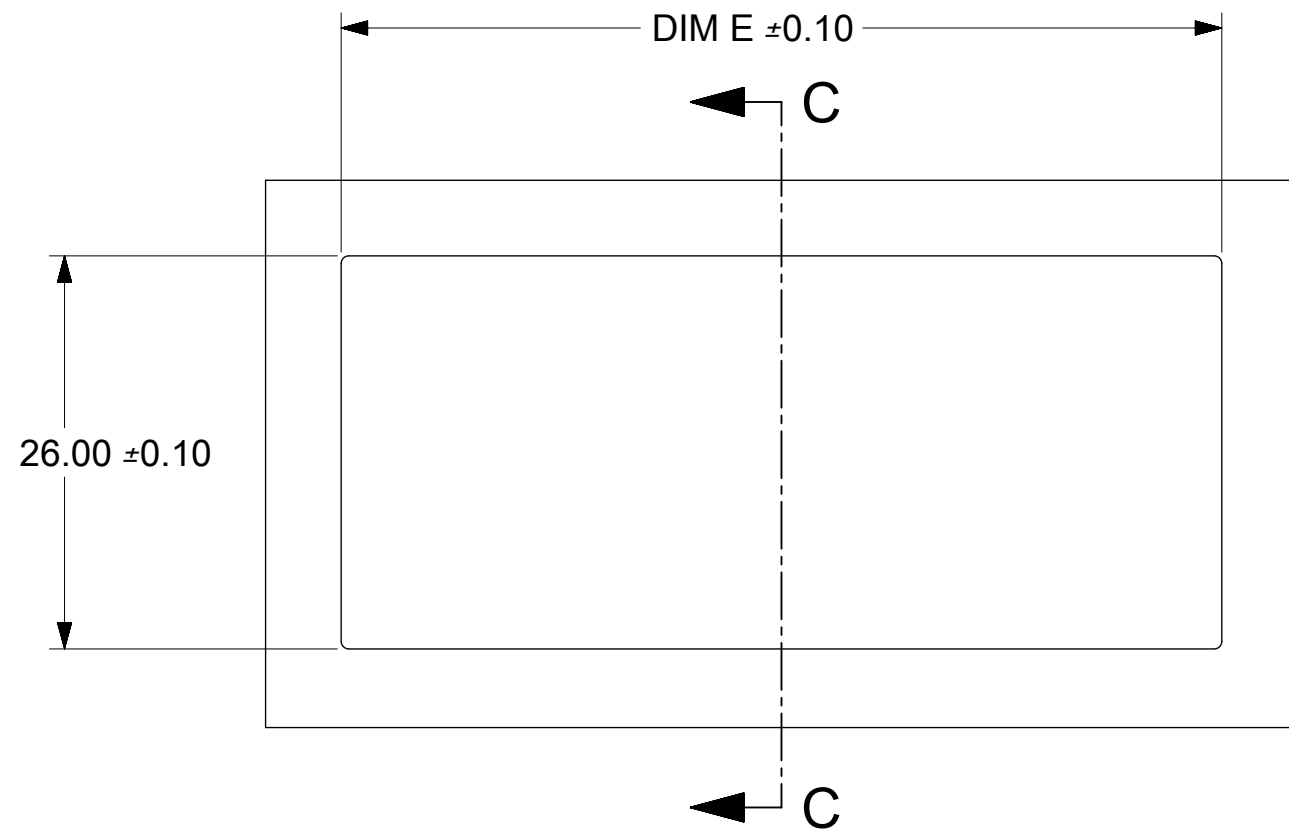


- NOTES:
1. THE ENTIRE AREA UNDER THE CONNECTOR IS A KEEP OUT ZONE FOR COMPONENTS AND TRACES, TOP LAYER ONLY, EXCEPT FOR CHASSIS GROUND.
 2. CROSS-HATCHED AREAS INDICATE PLACES WHERE THE PLASTIC HOUSING AND METAL CAGE MAY CONTACT PCB SURFACE. THESE AREAS ARE KEEP OUT ZONES. CROSS-HATCHED AREA UNDER THE CONNECTOR ARE TRACE AND VIA KEEP OUT AREAS FOR THE TOP LAYER.

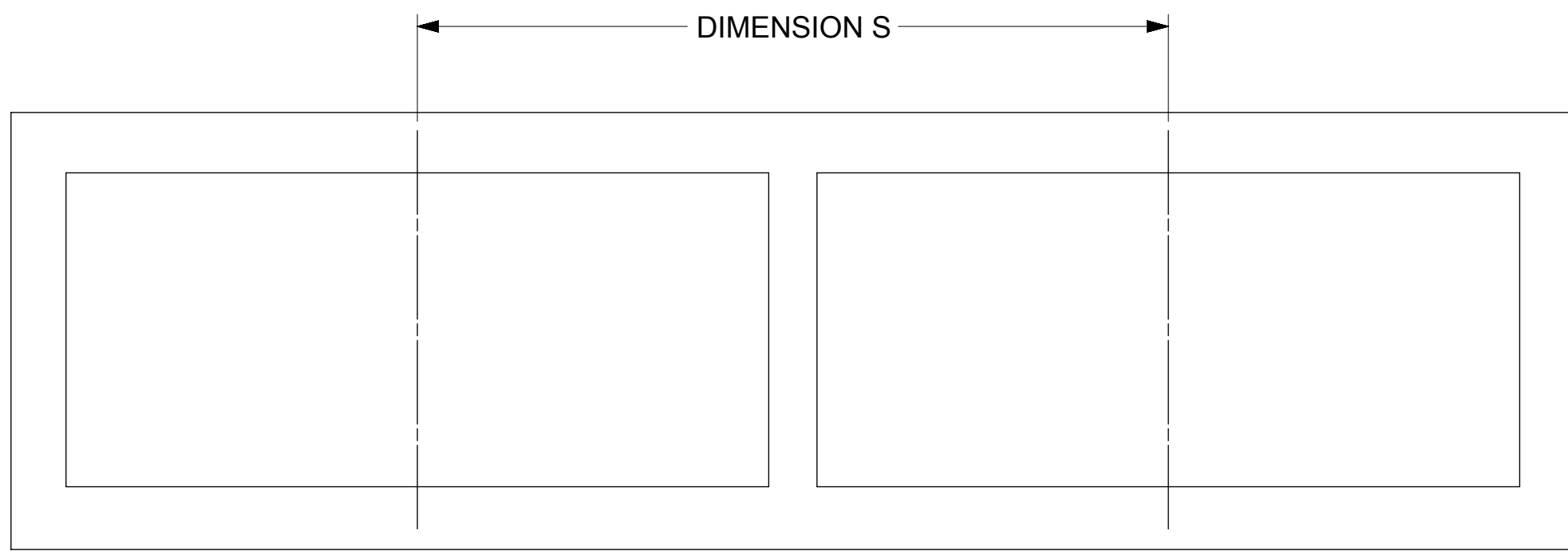
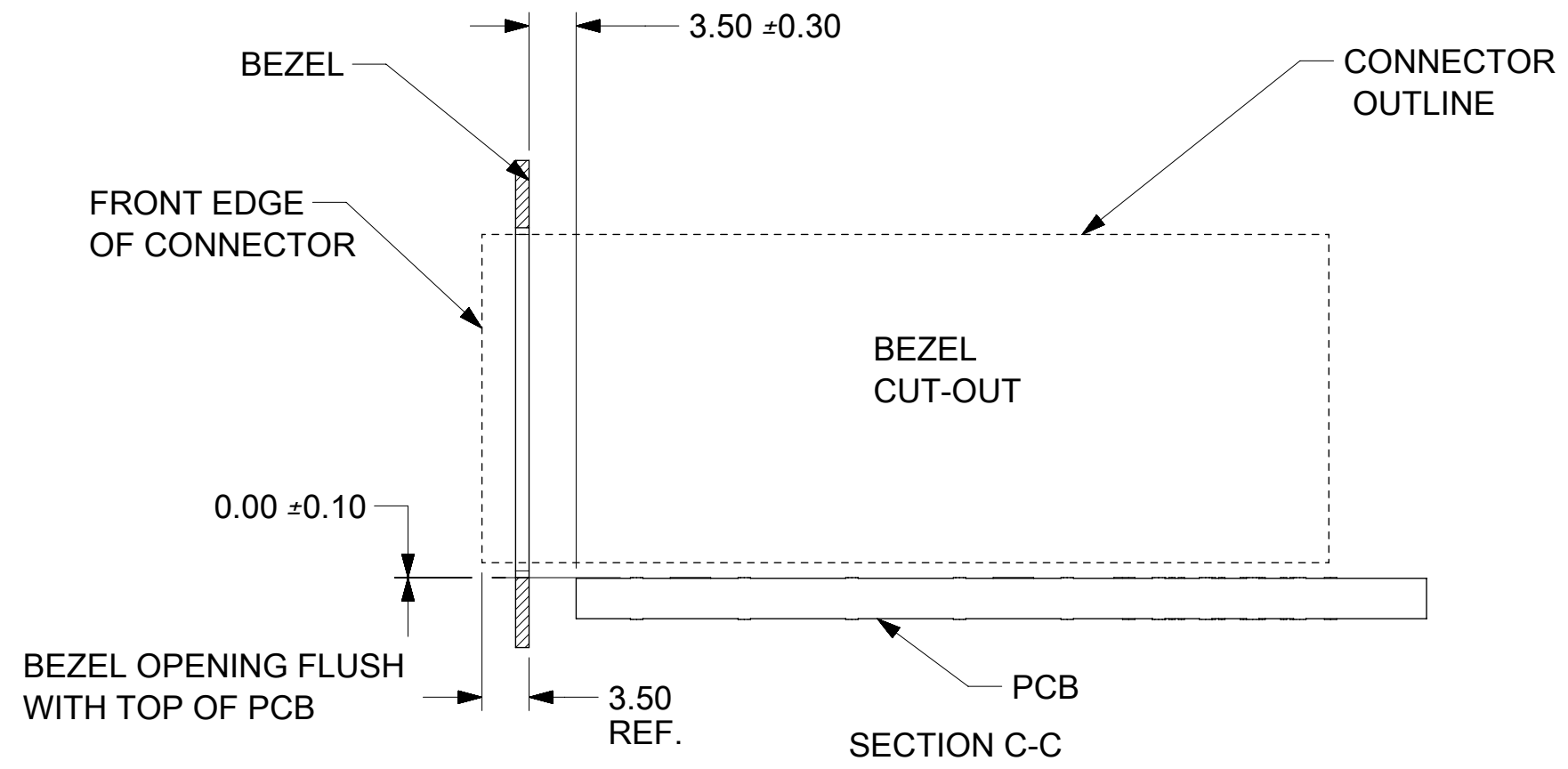
HOLE CHART				
PORT SIZE	DIM "W"	SIGNALS (Ø0.37)	SHIELD GROUND (Ø0.56)	CONNECTOR LOCATION (Ø1.60)
2X1	14.25	40	24	2
2X2	28.50	80	39	4
2X4	57.00	160	69	8
2X6	85.50	240	99	12
2X8	114.00	320	129	16
2X12	171.00	480	189	24

THIS DRAWING CONTAINS INFORMATION THAT IS PROPRIETARY TO MOLEX ELECTRONIC TECHNOLOGIES, LLC AND SHOULD NOT BE USED WITHOUT WRITTEN PERMISSION

DIMENSION UNITS mm	SCALE 3:1	CURRENT REV DESC: SEE REVISION HISTORY			
GENERAL TOLERANCES (UNLESS SPECIFIED)		EC NO: 622761			
ANGULAR TOL ± 0.5°	4 PLACES ±	DRWN: TMARRI 2019/07/24	PRODUCT CUSTOMER DRAWING		
3 PLACES ±	2 PLACES ± 0.13	CHK'D: CWANG67 2019/08/22	DOCUMENT NUMBER		
1 PLACE ± 0.25	0 PLACES ±	APPR: RNELSON 2019/09/04	SD-170071-0004		
DRAFT WHERE APPLICABLE MUST REMAIN WITHIN DIMENSIONS	THIRD ANGLE PROJECTION	INITIAL REVISION: DRWN: JKACHLIC 2015/06/24	DOC TYPE	DOC PART	REVISION
		APPR: MBANAKIS 2015/06/25	PSD	001	A
		DRAWING SERIES: C-SIZE 170071	MATERIAL NUMBER	CUSTOMER	SHEET NUMBER
			SEE CHART	GENERAL MARKET	3 OF 5



BEZEL CUT-OUT DETAIL
BEZEL THICKNESS 0.8-2.6



BEZEL CUT OUT FOR
CONNECTOR STACKING

CONFIGURATION	DIM "E"	DIM "S"
2X1	15.50	20.40 MINIMUM
2X2	29.75	34.65 MINIMUM
2X4	58.25	63.15 MINIMUM
2X6	86.75	91.65 MINIMUM
2X8	115.25	120.15 MINIMUM
2X12	172.25	177.15 MINIMUM

THIS DRAWING CONTAINS INFORMATION THAT IS PROPRIETARY TO MOLEX ELECTRONIC TECHNOLOGIES, LLC AND SHOULD NOT BE USED WITHOUT WRITTEN PERMISSION

DIMENSION UNITS mm	SCALE 2:1	CURRENT REV DESC: SEE REVISION HISTORY		molex		
GENERAL TOLERANCES (UNLESS SPECIFIED)		EC NO: 622761				
ANGULAR TOL ± 0.5°		DRWN: TMARRI 2019/07/24		PRODUCT CUSTOMER DRAWING		
4 PLACES ±		CHK'D: CWANG67 2019/08/22		DOCUMENT NUMBER		
3 PLACES ±		APPR: RNELSON 2019/09/04		SD-170071-0004		
2 PLACES ± 0.13		INITIAL REVISION:		DOC TYPE	DOC PART	REVISION
1 PLACE ± 0.25		DRWN: JKACHLIC 2015/06/24		PSD	001	A
0 PLACES ±		APPR: MBANAKIS 2015/06/25		SHEET NUMBER		
DRAFT WHERE APPLICABLE MUST REMAIN WITHIN DIMENSIONS	THIRD ANGLE PROJECTION	DRAWING	SERIES	MATERIAL NUMBER	CUSTOMER	4 OF 5
		C-SIZE	170071	SEE CHART	GENERAL MARKET	

H
G
F
E
D
C
B
A

REVISION HISTORY		
DATE	REV.	DESCRIPTION
2019/07/26	A	1.REMASTER FROM MM INTO ECTR. 2.ADD 2X1 1700711004 INTO P/N CHART. 3.ADD NOTES IN SHEET3 FOR KEEP OUT ZONE AREA.

THIS DRAWING CONTAINS INFORMATION THAT IS PROPRIETARY TO MOLEX ELECTRONIC TECHNOLOGIES, LLC AND SHOULD NOT BE USED WITHOUT WRITTEN PERMISSION

DIMENSION UNITS mm	SCALE 1:1	CURRENT REV DESC: SEE REVISION HISTORY	molex			
GENERAL TOLERANCES (UNLESS SPECIFIED)						
ANGULAR TOL ± 0.5°		EC NO: 622761	PRODUCT CUSTOMER DRAWING			
4 PLACES ±		DRWN: TMARRI 2019/07/24	DOCUMENT NUMBER	DOC TYPE	DOC PART	REVISION
3 PLACES ±		CHK'D: CWANG67 2019/08/22	SD-170071-0004	PSD	001	A
2 PLACES ± 0.13		APPR: RNELSON 2019/09/04				
1 PLACE ± 0.25		INITIAL REVISION:	MATERIAL NUMBER	CUSTOMER	SHEET NUMBER	
0 PLACES ±		DRWN: JKACHLIC 2015/06/24		GENERAL MARKET	5 OF 5	
		APPR: MBANAKIS 2015/06/25				
DRAFT WHERE APPLICABLE MUST REMAIN WITHIN DIMENSIONS	THIRD ANGLE PROJECTION	DRAWING	SERIES			
		C-SIZE	170071			

DOCUMENT STATUS	P1	RELEASE DATE	2019/09/04 07:37:08
-----------------	----	--------------	---------------------