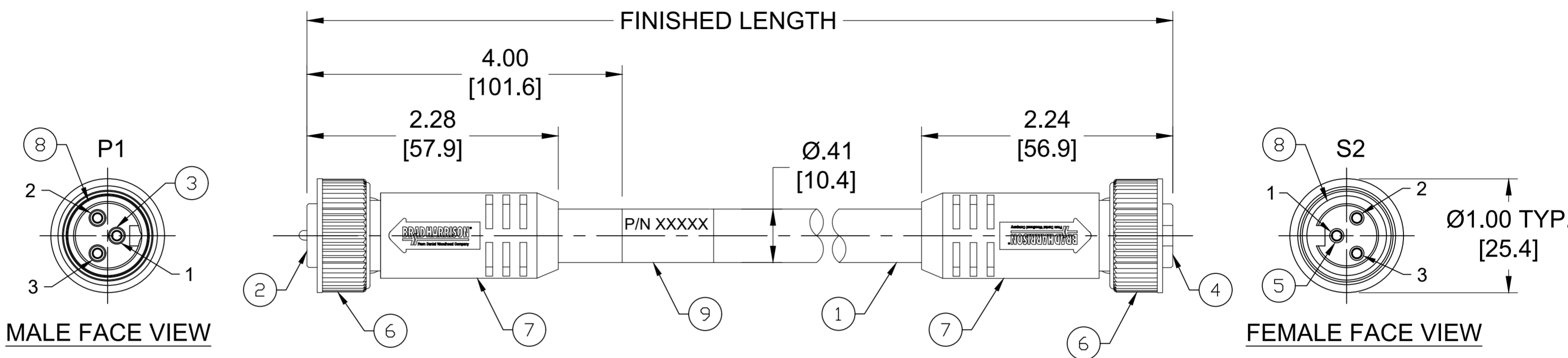


PART NO	ENGINEERING NO.	FINISHED LENGTH
1300100210	113020A01F010	1FT [0.3M]
1300100233	113020A01F150	15FT [4M 22 IN]
1300100245	113020A01F300	30FT [9M 6 IN]

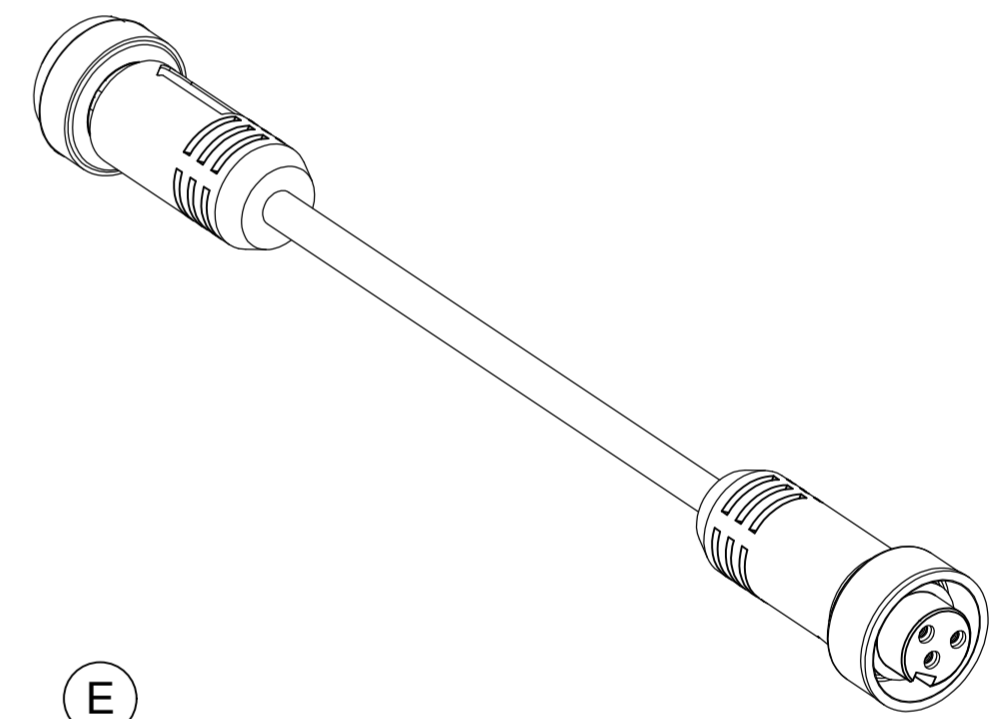


- NOTES:**
- MATERIAL: AS NOTED
  - FINISH: AS NOTED
  - ELECTRICAL:
    - VOLTAGE: 500V PER IEC60664
    - 600V PER UL2238
    - CURRENT: 13A
  - TEMP RATING: -20° TO +105°C
  - PROTECTION: IP67 (WHEN MATED)
  - COUPLING THREAD: 7/8"-16UN
  - UL RECOGNIZED FILE: E152210  
CSA CERTIFIED FILE: LR6837
  - ALL DIMENSIONS ARE FOR REFERENCE  
UNLESS TOLERANCED OR NOTED OTHERWISE

**PART NUMBER LEGEND**

113020A01F010

FINISHED LENGTH  
 F010 = 1 FEET  
 F100 = 10 FEET  
 F300 = 30 FEET



ITEM	COMPONENT	MATERIAL	FINISH
9	WRAP LABEL	VINYL	BLACK/YELLOW
8	FRICITION RING	NYLON	WHITE
7	OVERMOLD	TPE	YELLOW
6	COUPLING NUT	ZINC DIE CAST	BLACK E-COATED
5	CONTACT SOCKET	COPPER ALLOY	GOLD OVER NICKEL
4	FEMALE INSERT	TPE	YELLOW
3	CONTACT PIN	COPPER ALLOY	GOLD OVER NICKEL
2	MALE INSERT	TPE	YELLOW
1	CABLE- 16AWG, ST00W, ST	PVC	YELLOW

P1		S2
1	GREEN-YELLOW	1
2	BLACK	2
3	WHITE	3

**WIRING DIAGRAM**

**CABLE LENGTH TOLERANCES**

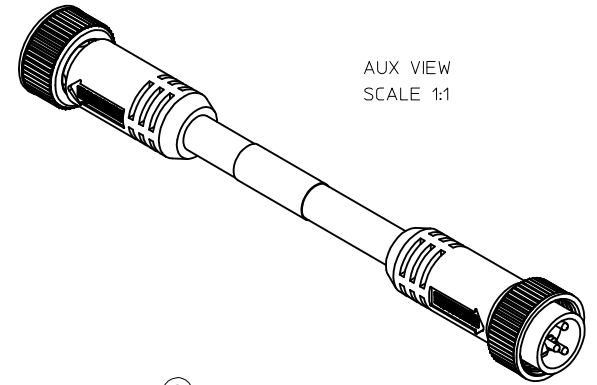
<.3M [1FT]:	+19mm-0 [+ .75in-0]
.3 - .9M [1 - 3FT]:	+44.5mm-0 [+1.75in-0]
.9 - 1.8M [3 - 6FT]:	+55.6mm-0 [+2.19in-0]
1.8 - 3.7M [6 - 12FT]:	+88.9mm-0 [+3.50in-0]
3.7 - 7.3M [12 - 24FT]:	+165.1mm-0 [+6.50in-0]
7.3-14.6M [24 - 48FT]:	+317.5mm-0 [+12.50in-0]
14.6 - 30.5M [48-100FT]:	+622.3mm-0 [+24.50in-0]
OVER 30M [100FT]	+2% OF FINISHED LENGTH

FUNCTIONAL SYMBOLS $\nabla_{FA}=0$ $\nabla_{FC}=0$ $\nabla_{FP}=0$ DIVISIONAL SYMBOLS	THIS DRAWING CONTAINS INFORMATION THAT IS PROPRIETARY TO MOLEX ELECTRONIC TECHNOLOGIES, LLC AND SHOULD NOT BE USED WITHOUT WRITTEN PERMISSION DIMENSION UNITS: INCH/MM SCALE: NTS GENERAL TOLERANCES (UNLESS SPECIFIED): 4 PLACES ±--- ±--- 3 PLACES ±--- ±--- 2 PLACES ±--- ±--- 1 PLACE ±--- ±--- 0 PLACES ±--- ±--- ANGULAR TOL ± --- ° DRAFT WHERE APPLICABLE MUST REMAIN WITHIN DIMENSIONS	CURRENT REV DESC: INSERT & OVERMOLD WERE PVC. ADDED #8 FRICTION RING, IEC VOLTAGE, PN LEGEND & TOL CHART. MODIFIED PN CHART EC NO: 702709 DRWN: ABENJAMINLW 2021/05/24 CHK'D: RSTONE 2022/04/11 APPR: BWOODMAN 2022/04/16 INITIAL REVISION: DRWN: BWOODMAN 2009/03/30 APPR: JFMURPHY 2009/04/08	<b>molex</b> MINI-CHANGE CORDSET, A-SIZE 3-POLE, MALE-FEMALE, STRAIGHT, SINGLE KEY, #16 AWG PRODUCT CUSTOMER DRAWING DOCUMENT NUMBER: SD-130010-002 DOC TYPE/DOC PART/REVISION: PSD 001 E
	THIRD ANGLE PROJECTION 	DRAWING: C-SIZE SERIES: 130010	MATERIAL NUMBER: SEE CHART CUSTOMER: GENERAL MARKET SHEET NUMBER: 1 OF 1

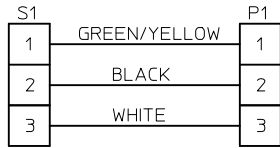
PART NUMBER	ENGINEERING NO.	LENGTH
1300100214	113020A01F030	3' +1.75 - 0 [ 0.9M +44.5 - 0 ]
1300100221	113020A01F060	6' +2.19 - 0 [ 1.8M +55.6 - 0 ]
1300100228	113020A01F120	12' +3.50 - 0 [ 3.7M +88.9 - 0 ]
1300100233	113020A01F150	15' +6.50* - 0 [ 4.6M +165.1mm - 0 ]
1300100238	113020A01F200	20' +6.50 - 0 [ 6.1M +165.1 - 0 ]

NOTES:

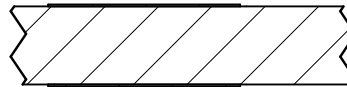
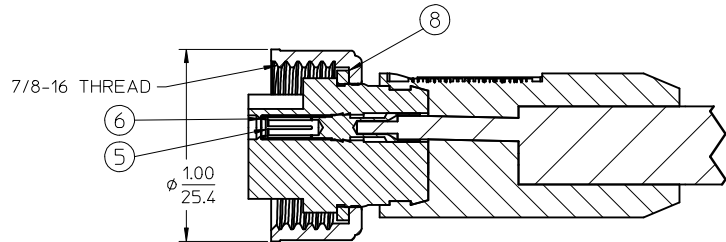
- 1) MATERIALS: SEE TABLE
- 2) FINISHES: SEE TABLE
- 3) CABLE: #16/3 ST00W/ST PVC
- 4) ELECTRICAL DATA:  
MAX. VOLTAGE: 600 VAC/VDC  
MAX. CURRENT 13 AMPS
- 5) ENVIRONMENTAL:  
PROTECTION IP67  
TEMPERATURE RANGE: -20 TO 105 C
- 6) WRAP LABEL IS MARKED WITH P/N, DATE CODE, VOLTAGE & AMPERAGE.
- 7) ASSEMBLY IS RoHS COMPLIANT.



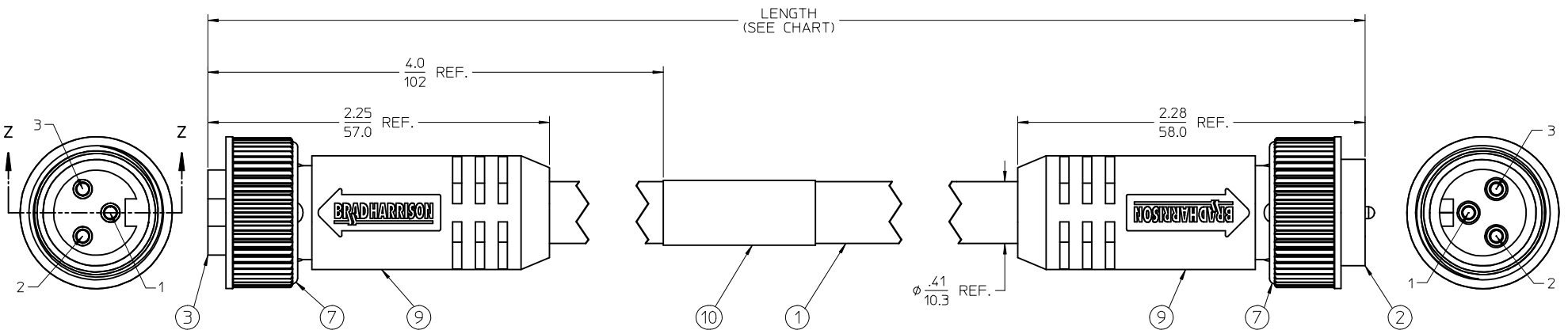
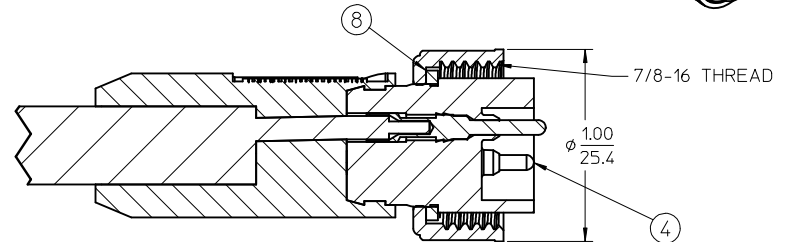
AUX VIEW  
SCALE 1:1



WIRING DIAGRAM



Section Z-Z



ITEM	QTY.	DESCRIPTION	MATERIAL	FINISH
10	1	LABEL	MYLAR	BLACK/YELLOW
9	2	OVERMOLD	PVC	YELLOW
8	2	FRICION RING	NYLON	WHITE
7	2	COUPLING NUT	ZINC DIECAST	BLACK E-COAT
6	2	SOCKET SLEEVE	STAINLESS STEEL	
5	3	CONTACT SOCKET	BRASS	GOLD OVER NICKEL
4	3	CONTACT PIN	BRASS	GOLD OVER NICKEL
3	1	FEMALE INSERT, 3 POLE	PVC	YELLOW
2	1	MALE INSERT, 3 POLE	PVC	YELLOW
1	1	CABLE, ST00W/ST #16/3	PVC JACKET	YELLOW

PURCHASING DRAWING EC NO: WNA2009-0846 DRAWN BY: DRWINLHARTMANN 2009/06/18 CHKDR: STONE APPR: JFMURPHY 2009/08/14	QUALITY SYMBOLS

GENERAL TOLERANCES (UNLESS SPECIFIED)															
<table border="1"> <thead> <tr> <th></th> <th>mm</th> <th>INCH</th> </tr> </thead> <tbody> <tr> <td>4 PLACES</td> <td>± .005</td> <td>± .0005</td> </tr> <tr> <td>3 PLACES</td> <td>± .005</td> <td>± .0005</td> </tr> <tr> <td>2 PLACES</td> <td>± .010</td> <td>± .0010</td> </tr> <tr> <td>1 PLACE</td> <td>± .020</td> <td>± .0020</td> </tr> </tbody> </table>		mm	INCH	4 PLACES	± .005	± .0005	3 PLACES	± .005	± .0005	2 PLACES	± .010	± .0010	1 PLACE	± .020	± .0020
	mm	INCH													
4 PLACES	± .005	± .0005													
3 PLACES	± .005	± .0005													
2 PLACES	± .010	± .0010													
1 PLACE	± .020	± .0020													
ANGULAR ±1/2°															
DRAFT WHERE APPLICABLE MUST REMAIN WITHIN DIMENSIONS															

DIMENSION STYLE IN/MM	DRAWN BY LHARTMANN	DATE 2009/06/18
CHECKED BY RSTONE	DATE 2009/06/30	
APPROVED BY JFMURPHY	DATE 2009/06/30	
MATERIAL NO. SEE CHART		

SCALE 2:1	DESIGN UNITS INCH	THIRD ANGLE PROJECTION
TITLE MINI-CHANGE CORDSET 3 POLE MA/FE ST/ST #16/3 YELLOW ST00W/ST		
MOLEX INCORPORATED		
DOCUMENT NO. SD-130010-004	SHEET NO. 1 OF 1	