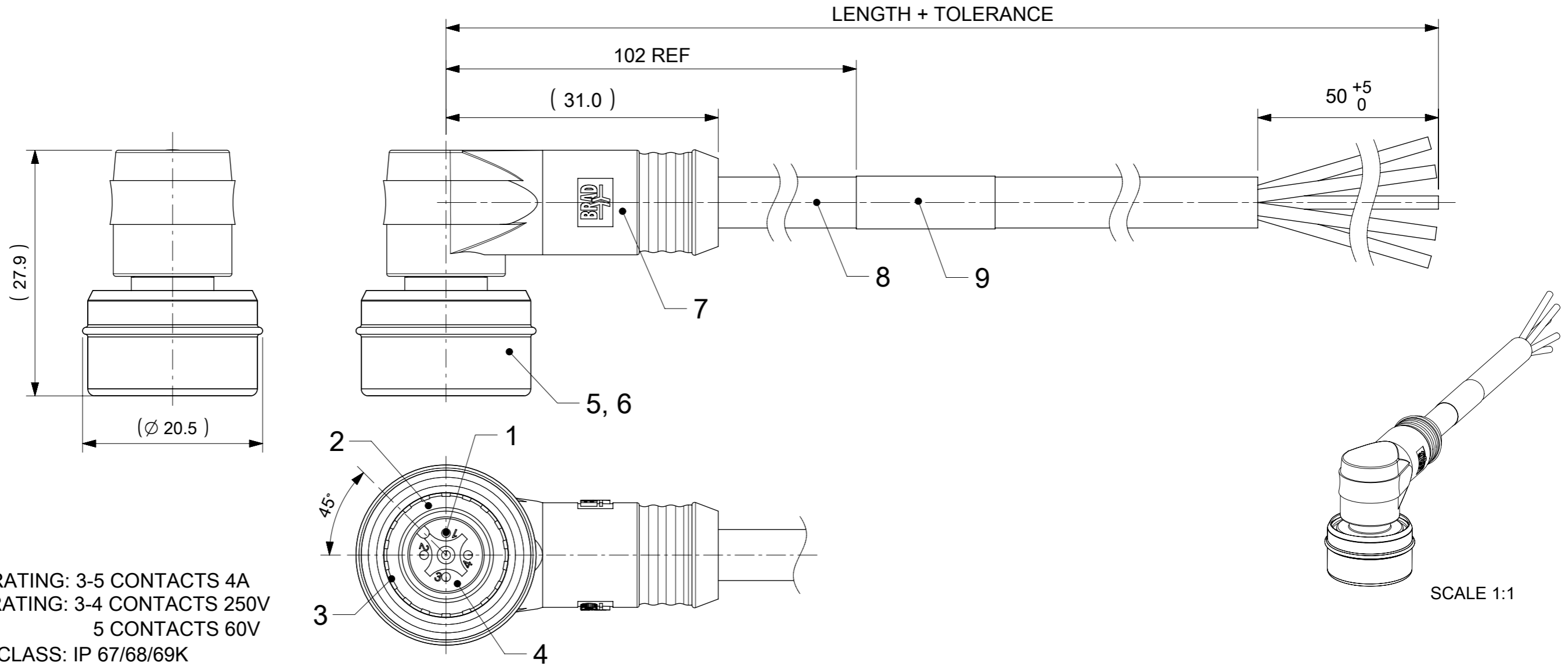


MALE PLUG ULTRA LOCK U12 90° ANGLED



NOTES:
 CURRENT RATING: 3-5 CONTACTS 4A
 VOLTAGE RATING: 3-4 CONTACTS 250V
 5 CONTACTS 60V
 PROTECTION CLASS: IP 67/68/69K
 TEMPERATURE: -25°C / +85°C

CONTACTS POSITION FRONT VIEW:

3 CONTACTS		4 CONTACTS		5 CONTACTS	
PIN	WIRE	PIN	WIRE	PIN	WIRE
1	BROWN	1	BROWN	1	BROWN
2	---	2	WHITE	2	WHITE
3	BLUE	3	BLUE	3	BLUE
4	BLACK	4	BLACK	4	BLACK
5	---	5	---	5	GREY
CODING ACCORDING TO IEC 61076-2-101					

FOR OPTIONS SEE - NUMERICAL CODE - ON SHEET 2

ITEM	QTY.	DESCRIPTION	MATERIAL	FINISH
9	1	LABEL YELLOW	VINYL	---
8	-	CABLE	SEE SHEET 2	---
7	-	OVERMOULD BLACK	TPU	---
6	1	SLEEVE U12 INNER	BRASS	NICKEL
5	1	SLEEVE U12 OUTER	BRASS	NICKEL
4	1	INSERT MALE BLACK	PUR	---
3	1	SPRING U12	V4A	---
2	1	ORING GREEN	FPM	---
1	3 / 4 / 5	CONTACT M12 MALE	BRASS	SELECTIVE GOLD OVER NICKEL

FUNCTIONAL SYMBOLS	THIS DRAWING CONTAINS INFORMATION THAT IS PROPRIETARY TO MOLEX ELECTRONIC TECHNOLOGIES, LLC AND SHOULD NOT BE USED WITHOUT WRITTEN PERMISSION	SCALE	2:1	molex
GENERAL TOLERANCES (UNLESS SPECIFIED)	CURRENT REV DESC: LABEL DIMENSION UPDATED	EC NO:	707722	
ANGULAR TOL	± 1.0°	DRWN:	RSCHIEBER 2022/05/23	
4 PLACES	±	CHK'D:	RSILLER 2022/05/25	
DIVISIONAL SYMBOLS		APPR:	RSILLER 2022/05/25	PRODUCT CUSTOMER DRAWING
3 PLACES	±	INITIAL REVISION:		DOCUMENT NUMBER
2 PLACES	± 0.05	DRWN:	JMARSZALEK 2016/06/23	1200795111
1 PLACE	± 0.3	APPR:	RSILLER 2016/06/29	PSD 000 A5
0 PLACES	± 0.5	THIRD ANGLE PROJECTION		DRAWING
DRAFT WHERE APPLICABLE MUST REMAIN WITHIN DIMENSIONS		DRAWING	A3-SIZE	SERIES
		SERIES	120079	MATERIAL NUMBER
		MATERIAL NUMBER	SEE PART LIST	CUSTOMER
		CUSTOMER	GENERAL MARKET	SHEET NUMBER
		SHEET NUMBER	1 OF 2	

ENGINEERING NO. - NUMERICAL CODE (Available parts see PART LIST table. Other parts available upon request).

OPTIONS

W 0 X 0 0 7 X X X X X X X X

W0=U12
Ultra Lock
Single ended

Poles:
3=3 Poles
4=4 Poles
5=5 Poles

Heads style:
007=Plug Male Angled

Cable type: See Table

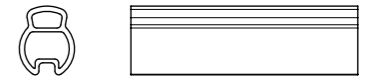
Units:
M=Meter

Length
Examples:
005=0.5 units
010=1 units
100=10 units

Overmold color:
Blank (Standard)=Black
A=Grey / G=Black / Y=Yellow

Ultra Lock Assembly:
Blank (Standard)=Brass, Ni Plated
8=Stainless steel, EPDM oring

H= 2 pcs. of I/D Carrier PVC Transparent
(Cables lxx & P82 always with
2 pcs. of I/D Carrier)



CABLE INFORMATION (for more information see Cable Data Sheet).

CABLE TYPE	NO. OF WIRES	CROSS SECTION	CABLE JACKET	UL	CSA	STATIC: TEMP. / BENDING RADIUS	DYNAMIC: TEMP. / BENDING RADIUS	DRAG CHAIN	SHIELD
E03	3 / 4 / 5	0.34mm ²	PVC BLACK	UL 2464/1729	C22.2 I/II A/B 80°/300V	-30°C to +80°C, 10xO.D.	-10°C to +80°C, 15xO.D.	-	-
H09	3 / 4 / 5	0.34mm ²	PUR BLACK LS0H	UL 21198/10493	C22.2 I/II A/B 80°/300V	-40°C to +80°C, 5xO.D.	-25°C to +80°C, 10xO.D.	2 000 000 cycles, Temp max 60°C	-
P03	3 / 4 / 5	0.34mm ²	PUR / PVC BLACK	-	-	-30°C to +80°C, 7xO.D.	-5°C to +80°C, 15xO.D.	-	-
K05	4	0.34mm ²	TPE/YELLOW						

PART LIST

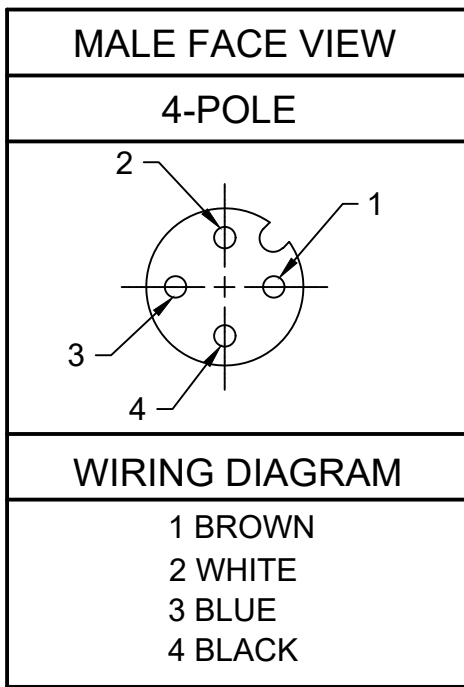
No.	Molex P/N	Engineering no.	Cable Length
1	1200200002	W03007P03M020	2m
2	1200795108	W04007E03M020	2m
3	1200795109	W04007P03M020	2m
4	1200795111	W05007E03M020	2m
5	1200795112	W05007P03M020	2m
6	1200798004	W04007E03M050	5m
7	1200798005	W04007P03M050	5m
8	1200798020	W04007P03M100	10m
9	1200798041	W03007H09M020	2m
10	1200798050	W05007H09M020	2m
11	1200798052	W04007H09M020	2m
12	1200798080	W05007E03M015	1.5m
13	1200798085	W05007E03M003	0.3m
14	1200798125	W05007E03M200	20m
15	1200795107	W03007E03M020	2m
16	1200798150	W03007E03M050	5m
17	1200798151	W03007E03M100	10m
18	1200798152	W04007E03M100	10m
19	1200798153	W05007E03M050	5m
20	1200798154	W05007E03M100	10m
21	1200798160	W05007H09M200	20m

No.	MOLEX P/N	ENGINEERING NO.	Cable Length
22	1200790181	W04007K05M060	6m
23	1200790192	W04007K05M020	2m
24	1200790194	W04007K05M050	5m
25	1200790196	W04007K05M100	10m
26	1200790208	W04007K05M040	4m

CABLE LENGTH TOLERANCES

OVER	UP TO AND INCLUDING	TOLERANCES
0	305mm	+19mm
305mm	915mm	+45mm
915mm	1830mm	+56mm
1830mm	3660mm	+89mm
3660mm	7320mm	+165mm
7320mm	14640mm	+317mm
14640mm	30500mm	+610mm
30500mm	>	+2% of finished length

FUNCTIONAL SYMBOLS	THIS DRAWING CONTAINS INFORMATION THAT IS PROPRIETARY TO MOLEX ELECTRONIC TECHNOLOGIES, LLC AND SHOULD NOT BE USED WITHOUT WRITTEN PERMISSION	CURRENT REV DESC: LABEL DIMENSION UPDATED		molex
	DIMENSION UNITS: mm SCALE: 1:1 GENERAL TOLERANCES (UNLESS SPECIFIED) ANGULAR TOL ± 1.0° 4 PLACES ±	EC NO: 707722 DRWN: RSCHIEBER 2022/05/23 CHK'D: RSILLER 2022/05/25 APPR: RSILLER 2022/05/25	PRODUCT CUSTOMER DRAWING DOCUMENT NUMBER: 1200795111 DOC TYPE: PSD DOC PART: 000 REVISION: A5	
DIVISIONAL SYMBOLS	3 PLACES ± 2 PLACES ± 0.05 1 PLACE ± 0.3 0 PLACES ± 0.5 DRAFT WHERE APPLICABLE MUST REMAIN WITHIN DIMENSIONS	INITIAL REVISION: DRWN: JMARSZALEK 2016/06/23 APPR: RSILLER 2016/06/29	MATERIAL NUMBER: SEE PART LIST CUSTOMER: GENERAL MARKET SHEET NUMBER: 2 OF 2	
	THIRD ANGLE PROJECTION	DRAWING: A3-SIZE	SERIES: 120079	



(A)
PART NUMBER LEGEND
W04007K05M020

FINISHED LENGTH
M005 = 0.5 METER
M010 = 1 METER
M100 = 10 METER

PART NO	ENGINEERING NO.	FINISHED LENGTH
1200790192	W04007K05M020	2M [6FT 7 IN]
1200790194	W04007K05M050	5M [16FT 5 IN]
1200790196	W04007K05M100	10M [32FT 10 IN]

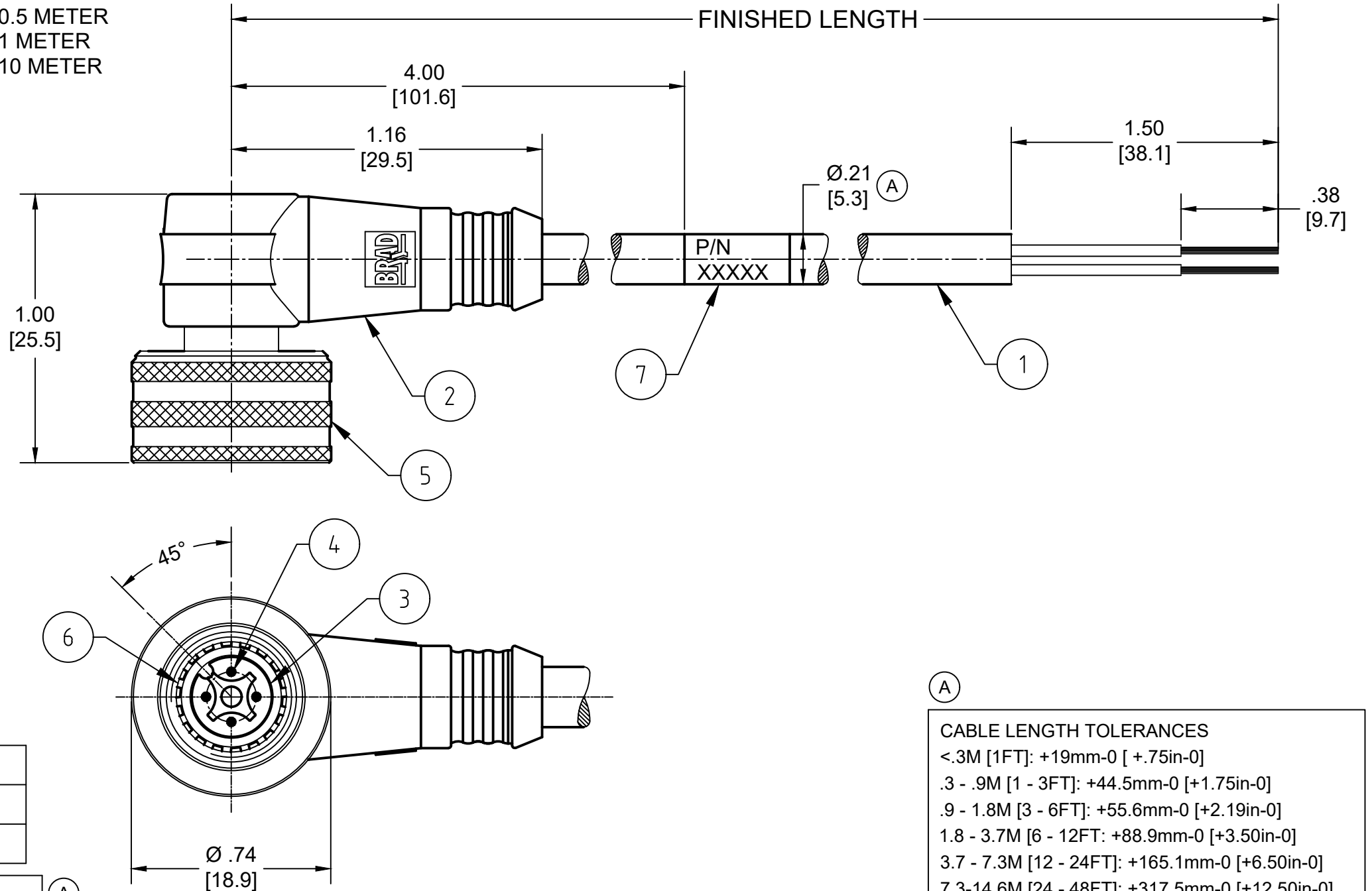
NOTES:

- MATERIAL: AS NOTED
- FINISH: AS NOTED
- ELECTRICAL:
VOLTAGE: 250V
CURRENT: 4A
- TEMP RATING: -20°TO +105°C (A)
- PROTECTION: IP67/69K (WHEN MATED)
- CSA CERTIFIED FILE: LR6837 (A)
- ALL DIMENSIONS ARE FOR REFERENCE UNLESS TOLERANCED OR NOTED OTHERWISE

MECHANICAL CHARACTERISTICS: (A)

TORSIONAL FLEX TEST	10 MILLION CYCLES PER MIL-C-13777G
BEND FLEX TEST	10 MILLION CYCLES PER MIL-C-13777G
WELD SLAG RESISTANCE	WOODHEAD STANDARD S-300

ITEM	DESCRIPTION	MATERIAL	FINISH
7	WRAP LABEL	VINYL	BLACK/YELLOW
6	O-RING	VITON	GREEN
5	COUPLER	BRASS	NICKEL PLATED
4	CONTACT PIN	COPPER ALLOY	GOLD OVER NICKEL
3	INSERT	PUR	BLACK
2	OVERMOLD	TPC	YELLOW
1	#22/4 CABLE	TPE JACKET	YELLOW



(A)

CABLE LENGTH TOLERANCES

<.3M [1FT]:	+19mm-0 [+.75in-0]
.3 - .9M [1 - 3FT]:	+44.5mm-0 [+1.75in-0]
.9 - 1.8M [3 - 6FT]:	+55.6mm-0 [+2.19in-0]
1.8 - 3.7M [6 - 12FT]:	+88.9mm-0 [+3.50in-0]
3.7 - 7.3M [12 - 24FT]:	+165.1mm-0 [+6.50in-0]
7.3-14.6M [24 - 48FT]:	+317.5mm-0 [+12.50in-0]
14.6 - 30.5M [48-100FT]:	+622.3mm-0 [+24.50in-0]
OVER 30M [100FT]:	+2% OF FINISHED LENGTH

FUNCTIONAL SYMBOLS FA=0 FB=0 FC=0	THIS DRAWING CONTAINS INFORMATION THAT IS PROPRIETARY TO MOLEX ELECTRONIC TECHNOLOGIES, LLC AND SHOULD NOT BE USED WITHOUT WRITTEN PERMISSION		CURRENT REV DESC: ITEM 2 WAS TPE, 7 WAS MYLAR & 3 WAS NYLON. ADDED CSA, MECH CHARAC....CABLE DIA, PN MATRIX & TOL CHART. MODIFIED TEMP RATING & PN TABLE. REMOVED UL	
	DIMENSION UNITS INCH/MM	SCALE NTS	EC NO: 702709	
GENERAL TOLERANCES (UNLESS SPECIFIED)		DRWN: ABENJAMINLW 2021/07/28		
4 PLACES ±----		CHK'D: RSTONE 2022/04/11		
3 PLACES ±----		APPR: BWOODMAN 2022/04/16		
2 PLACES ±---- ±0.01		INITIAL REVISION:		
1 PLACE ±0.3 ±----		DRWN: LSTEMMLE 2010/02/12		
0 PLACES ±---- ±----		APPR: FPACHER 2010/02/15		
ANGULAR TOL ± --- °		DRAFT WHERE APPLICABLE MUST REMAIN WITHIN DIMENSIONS		
THIRD ANGLE PROJECTION		DRAWING A3-SIZE	SERIES 120079	
MATERIAL NUMBER SEE CHART		CUSTOMER GENERAL MARKET	SHEET NUMBER 1 OF 1	

molex

MICRO-CHANGE ULTRA LOCK
4-POLE, MALE, 90DEG, SINGLE KEY,
#22 AWG TPE HI-FLEX

PRODUCT CUSTOMER DRAWING

DOCUMENT NUMBER: **SD-120079-031** | DOC TYPE: PSD | DOC PART: 001 | REVISION: A