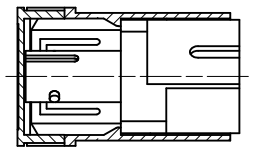
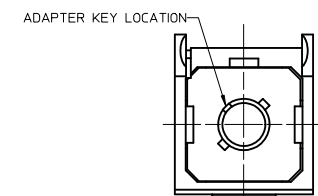
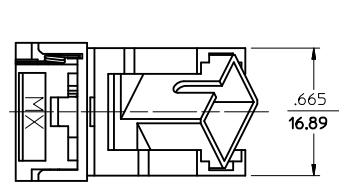
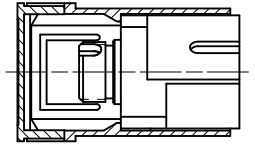
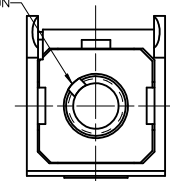


BEZEL P/N	ADAPTER P/N	VERSION	SLEEVE MATERIAL	ADAPTER COLOR	LABEL P/N
106004-3080	106160-0980	1 (ST-SC)	PHOSPHOR BRONZE	METAL	106004-3013
106004-3081	106161-0980		ZIRCONIA		
106004-3082	106160-0970	2 (FC-SC)	PHOSPHOR BRONZE	BLACK	
106004-3083	106161-0970		ZIRCONIA		
106004-3084	106171-0160	3 (SC-SC)	PHOSPHOR BRONZE	RED	
106004-3085	106170-0160		ZIRCONIA		
106004-3086	106171-0170		PHOSPHOR BRONZE		
106004-3087	106170-0170	4 (MTP-MTP)	ZIRCONIA	BLUE	
106004-3075	106170-0140		N/A		
106004-3088	86181-0000	3 (SC-SC)	ZIRCONIA	RED	
106004-3089	86181-0007				
106004-3076	106170-0170	3 (SC-SC)	ZIRCONIA	RED	
106004-3093	106171-0160	3 (SC-SC)	PHOSPHOR BRONZE	BLACK	106170-0404



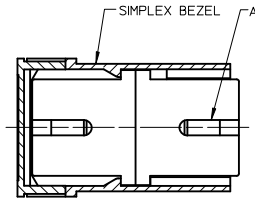
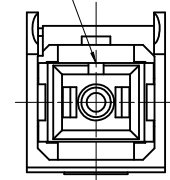
VIEW A  
VERSION 1 (ST-SC)  
DOOR REMOVED  
ROTATED 30° CW

SECTION B-B  
VERSION 1 (ST-SC)  
ROTATED 30° CW



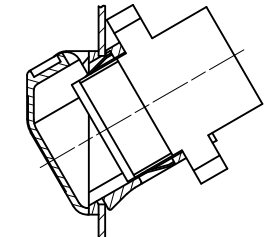
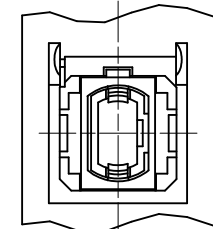
VIEW A  
VERSION 2 (FC-SC)  
DOOR REMOVED  
ROTATED 30° CW

SECTION B-B  
VERSION 2 (FC-SC)  
ROTATED 30° CW



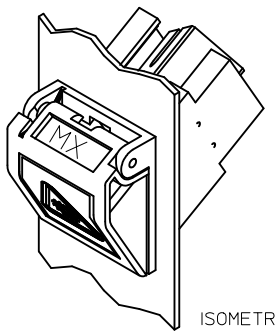
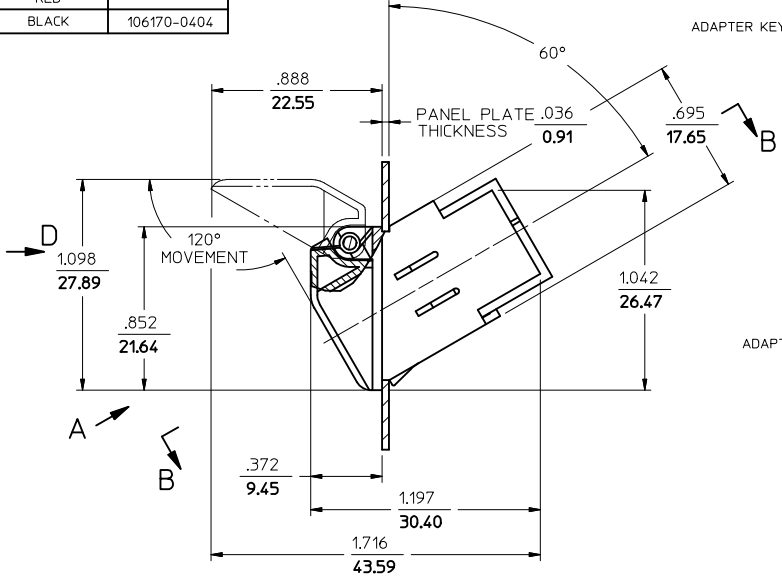
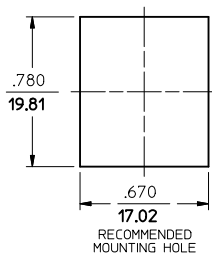
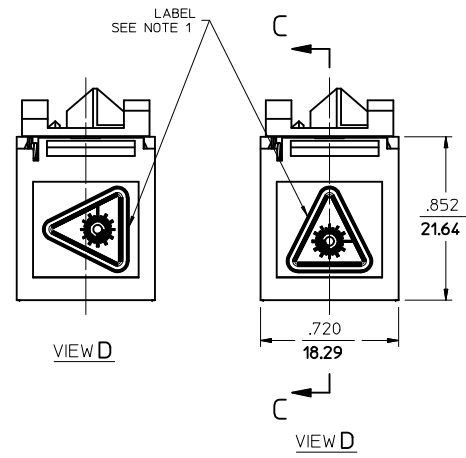
VIEW A  
VERSION 3 (SC-SC)  
DOOR REMOVED  
ROTATED 30° CW

SECTION B-B  
VERSION 3 (SC-SC)  
ROTATED 30° CW



VIEW A  
VERSION 4 (MTP-MTP)  
DOOR REMOVED  
ROTATED 30° CW  
SEE NOTE 2

SECTION C-C  
VERSION 4 (MTP-MTP)  
SEE NOTE 2



ISOMETRIC VIEW

- NOTES:
- LABEL TO BE INSTALLED BY CUSTOMER.
  - MTP-MTP ADAPTER (VERSION 4) TO BE ASSEMBLED BY CUSTOMER, AFTER BEZEL IS INSTALLED IN PANEL CUTOUT.
  - FOR VERSIONS 1, 2, AND 3 ADAPTERS TO BE ASSEMBLED WITH BEZEL. DUST CAPS ON VERSIONS 1, 2, AND 3 TO BE REMOVED ON DOOR SIDE.

<b>ENTER DESCRIPTION</b> EC NO: MF2012-0258 DRW:KPEVZNER 2011/11/11 CHKD: APPR: IGUMIN 2011/11/14 REV:	QUALITY SYMBOLS ▽=0 ▽=0	GENERAL TOLERANCES (UNLESS SPECIFIED) <table border="1"> <tr> <th></th> <th>mm</th> <th>INCH</th> </tr> <tr> <td>4 PLACES</td> <td>± .005</td> <td>± .0005</td> </tr> <tr> <td>3 PLACES</td> <td>± .005</td> <td>± .0005</td> </tr> <tr> <td>2 PLACES</td> <td>± .005</td> <td>± .0005</td> </tr> <tr> <td>1 PLACE</td> <td>± .005</td> <td>± .0005</td> </tr> </table>		mm	INCH	4 PLACES	± .005	± .0005	3 PLACES	± .005	± .0005	2 PLACES	± .005	± .0005	1 PLACE	± .005	± .0005	DIMENSION STYLE <b>IN/MM</b>	SCALE <b>4:1</b>	DESIGN UNITS <b>INCH</b>	THIRD ANGLE PROJECTION
		mm	INCH																		
	4 PLACES	± .005	± .0005																		
	3 PLACES	± .005	± .0005																		
2 PLACES	± .005	± .0005																			
1 PLACE	± .005	± .0005																			
DRAFT WHERE APPLICABLE MUST REMAIN WITHIN DIMENSIONS		SEE TABLE	DRAWN BY PGIBLIN	DATE 2005/11/08	<b>SIMPLEX BEZEL ADAPTER KIT</b>																
APPROVED BY IGUMIN		DATE 2011/11/14	MOLEX INCORPORATED		SHEET NO. <b>1 OF 1</b>																
MATERIAL NO.		DOCUMENT NO. <b>SD-106004-308X</b>	THIS DRAWING CONTAINS INFORMATION THAT IS PROPRIETARY TO MOLEX INCORPORATED AND SHOULD NOT BE USED WITHOUT WRITTEN PERMISSION																		