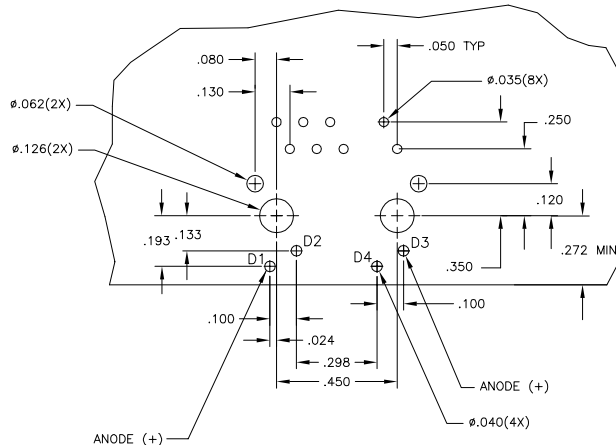
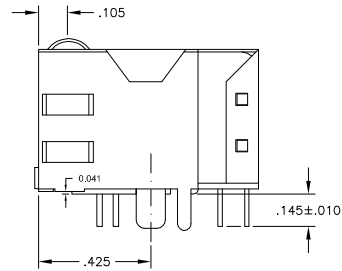
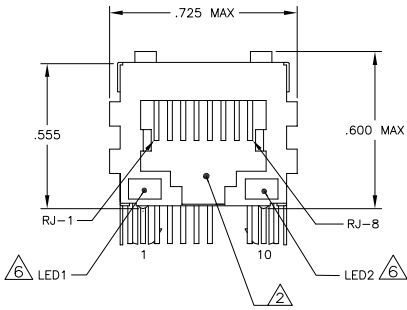
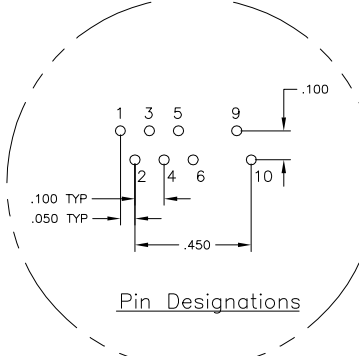
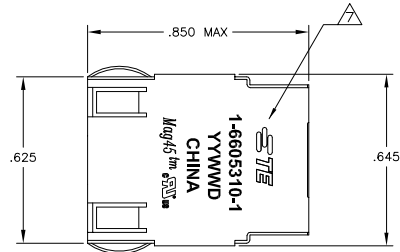


LOC	DATE	REVISIONS			
AA	22				
#	DATE	DESCRIPTION	BY	CHK	APP'D
C2	28MAY11	REVISED PER ECO-11-010839	RK	HMR	
D	30OCT2011	ECO-11-015773	EL	LR	

MECHANICAL:



- MATERIALS:**
 HOUSING - THERMOPLASTIC PET POLYESTER FLAMMABILITY RATING UL 94V-0. SHIELD - .010" THICK, C26800 BRASS PREPLATED WITH 30μINCH SEMI-BRIGHT NICKEL. SOLDER TABS POST DIPPED WITH 100μINCH MIN SAC SOLDER.
 MOD JACK CONTACTS - 0.0157 X 0.018" PHOSPHOR BRONZE, 50μINCH MIN OVERALL NICKEL UNDERPLATE, WITH SELECT 50μINCH MIN HARD GOLD FINISH PLATE SOLDER TAILS WITH 100μINCH MIN MATTE TIN AND/OR SAC SOLDER DIP.
 LIGHT EMITTING DIODE(LED) - DIFFUSED EPOXY LENS, .020" x .020" CARBON STEEL WIREFRAME LEADS PRE-PLATED WITH 80μINCH SILVER OVER 40μINCH NICKEL UNDERPLATE OVER 40μINCH COPPER UNDERPLATE. POST-PLATED WITH 100μINCH MIN MATTE TIN AND/OR SAC SOLDER DIP OR PURE TIN SOLDER DIP.

- RJ45 JACK CAVITY CONFORMS TO FCC RULES AND REGULATIONS PART 68, SUB PART F.

- MAGNETICS**
 -IMPEDANCE: 100 OHMS
 -TURNS RATIO (CHIP-CABLE): TX = 1:1, RX = 1:1
 -OPEN CIRCUIT INDUCTANCE (OCL): 350μH MIN @100kHz, 0.1VRMS, 8mADC BIAS FROM 0°C TO 70°C, TX AND RX
 -POE CURRENT: 350mADC MAX
 -PERFORMANCE @ 25°C:

- INSERTION LOSS (IL): 1.1dB MAX FROM 0.5MHZ TO 100MHZ
 RETURN LOSS (RL): 18dB MIN FROM 0.5MHZ TO 30MHZ
 18-20LOG(f/30)dB MIN FROM 30.1MHZ TO 60MHZ
 12dB MIN FROM 60.1MHZ TO 80MHZ
 CROSSTALK ATTENUATION: 35dB MIN FROM 0.5MHZ TO 40MHZ
 33-20*LOG(f/50)dB MIN FROM 40.1MHZ TO 100MHZ
 COMMON MODE REJECTION RATIO (CMRR): 30dB MIN FROM 0.5MHZ TO 100MHZ
 ISOLATION VOLTAGE: 1500VAC (MAX) AT 60Hz FOR 60 SECS.

- 4. OPERATING TEMPERATURE: FROM 0°C TO +70°C.

- INDICATED CONNECTIONS ARE FOR NIC CONFIGURATION. THE MAGNETICS ARE SYMMETRIC, AND SUPPORT AUTO-MDI/MIDX.

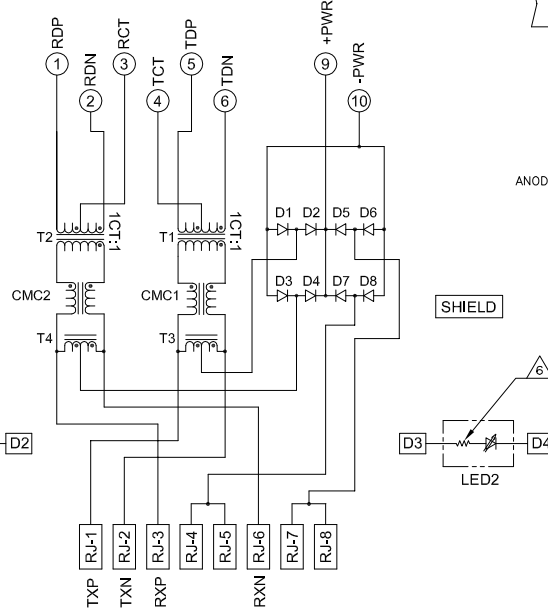
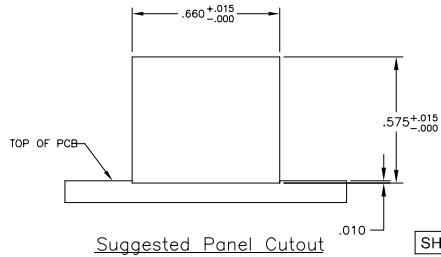
- THE 250 OHM RESISTOR IS INCLUDED IN THE LEDS. LEDS ARE DRIVEN WITH 5V VOLTAGE AND THE MAX OPERATING CURRENT IS 20mA. LED COLOR: DOMINANT WAVELENGTH (λD): GREEN 568 nm TYP @ VF=5V
 FORWARD CURRENT (IF): GREEN 12mA TYP @ VF=5V

- TYCO ELECTRONICS LOGO, PART NUMBER, DATE CODE, COUNTRY OF ORIGIN AND AGENCY APPROVAL MARKING IN APPROXIMATE LOCATION SHOWN.

- 8. THE PART IS RECOMMENDED FOR WAVE SOLDERING PROCESS, PREHEAT TEMPERATURE IS 120°C TO 160°C, 120 SECONDS TO 180 SECONDS, PEAK WAVE SOLDERING TEMPERATURE IS 260°C MAX, 10 SECONDS MAX.

ELECTRICAL:

3D15 SERIES PoE MAGNETIC CIRCUIT



D1-D8 = RECTIFIER DIODES
 FORWARD VOLTAGE, Vf = 1.2V MAX @ If=0.5A
 FORWARD CURRENT, If = 0.5A MAX
 REVERSE VOLTAGE, Vr = 80V MAX

GREEN		GREEN		1-6605310-1	
LED1		LED2		PART NUMBER	
THIS DRAWING IS A CONTROLLED DOCUMENT.					
DIMENSIONS: INCHES		DIMENSIONS: MILLIMETERS		NAME: ATTADIA - 1002003	
0 P.L.C. ± - 1 P.L.C. ± .010 2 P.L.C. ± .020 3 P.L.C. ± .030 4 P.L.C. ± .040 ANGLES ± .5°		DIMENSIONS: MILLIMETERS		NAME: FAROLE - 1002003	
MATERIAL:		FINISH:		WEIGHT:	
SCALE:		DATE CODE:		DRAWING NO:	
CUSTOMER DRAWING		A100779		C=6605310	
SHEET 1 OF 1		REV D		RESTRICTED TO:	