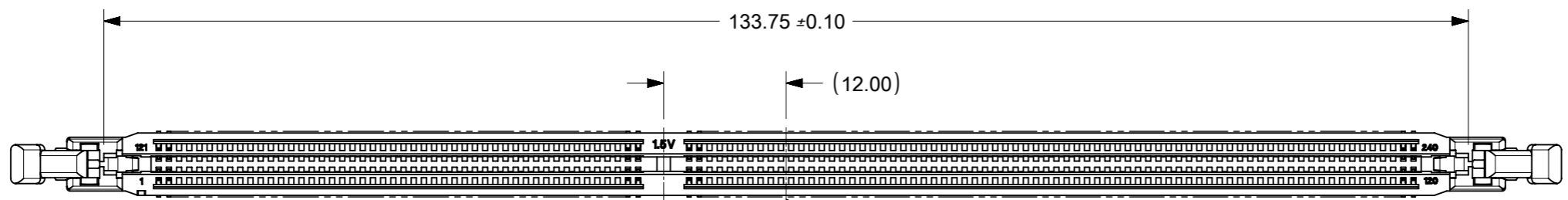


NOTES:

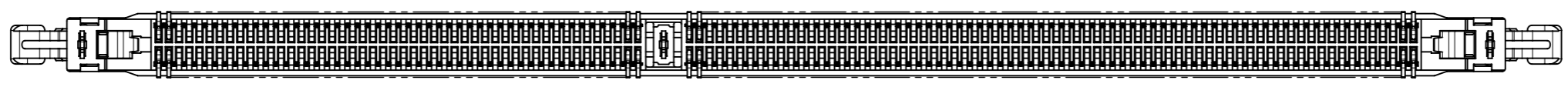
1. MATERIAL : HOUSING - LCP, GLASS FILLED, UL 94V-0
COLOUR : BLACK.
LATCH - NYLON, GLASS FILLED, UL 94V-0
COLOUR : SEE TABLE ON SHEET 5.
TERMINAL : COPPER ALLOY.
2. FINISHES - SEE TABLE ON SHEET 5.
3. PRODUCT SPECIFICATION : PS-78603-001.
4. PACKAGING SPECIFICATION: PRODUCT SHALL BE PACKED IN TRAY
5. CARD SLOT ACCEPTS 1.27±0.10MM MODULE THICKNESS
(MEASURED FROM P.C. PADS).
6. MOLEX LOGO, DATE & PART NO. INDICATED ON HOUSING.
7. MODULE SEATING PLANE FROM TOP OF PCB.
8. KEEP OUT ZONE RESERVED FOR LATCH.
9. KEEP OUT AREA IS THE AREA WHERE THE CONNECTOR
(INCLUDED LATCHES IN OPENING POSITION) IS MOUNTED ON THE PCB.

THIS DESIGN IS BASED ON DESIGN OBJECTIVES AND IS STRICTLY TENTATIVE. IT MAY CHANGE BASED ON RESULTS OF ADDITIONAL DESIGN REVIEWS AND VERIFICATIONS.

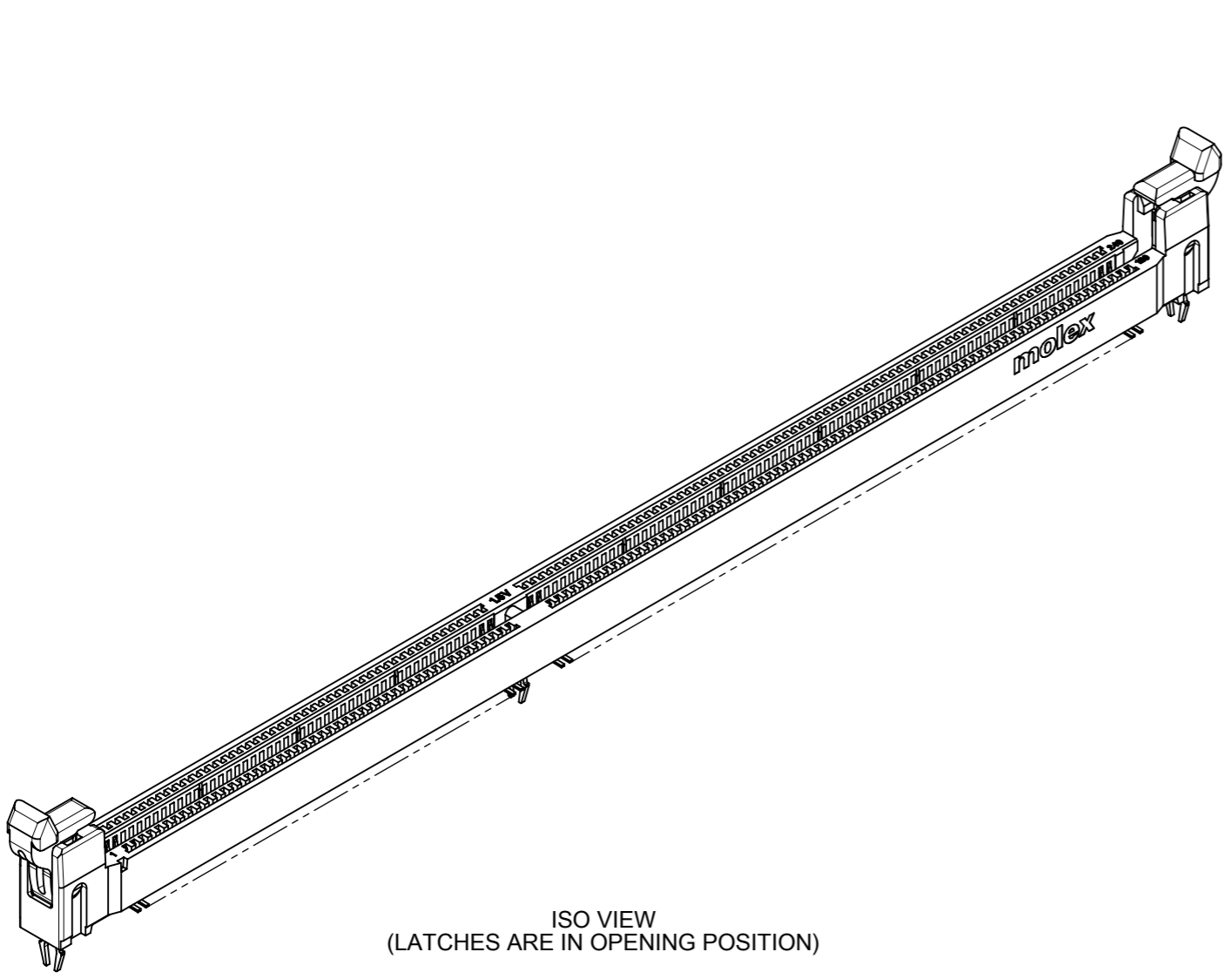
THIS DRAWING CONTAINS INFORMATION THAT IS PROPRIETARY TO MOLEX ELECTRONIC TECHNOLOGIES, LLC AND SHOULD NOT BE USED WITHOUT WRITTEN PERMISSION											
DIMENSION UNITS		SCALE		CURRENT REV DESC: OBSOLETE PART NO							
mm		NTS									
GENERAL TOLERANCES (UNLESS SPECIFIED)				EC NO: 609045		DRWN: AKUMAR19		2018/12/12		1MM PITCH DDR3 VLP LSP	
				CHK'D: GGA		2018/12/14				240CKTS SMT LOWLLCR	
				APPR: GGA		2018/12/14				PRODUCT CUSTOMER DRAWING	
4 PLACES ±				INITIAL REVISION:		DRWN: CCTEH		2010/03/30		DOCUMENT NUMBER	
3 PLACES ±				APPR: SHLENI		2010/09/08		SD-78603-001		DOC TYPE DOC PART REVISION	
2 PLACES ± 0.2 ±								PSD		001 A	
1 PLACE ±								SEE TABLE		GENERAL MARKET	
0 PLACES ±								SHEET NUMBER		1 OF 6	
ANGULAR TOL ± 3.0°				DRAFT WHERE APPLICABLE MUST REMAIN WITHIN DIMENSIONS		THIRD ANGLE PROJECTION		DRAWING		SERIES	
						A3-SIZE		78603			



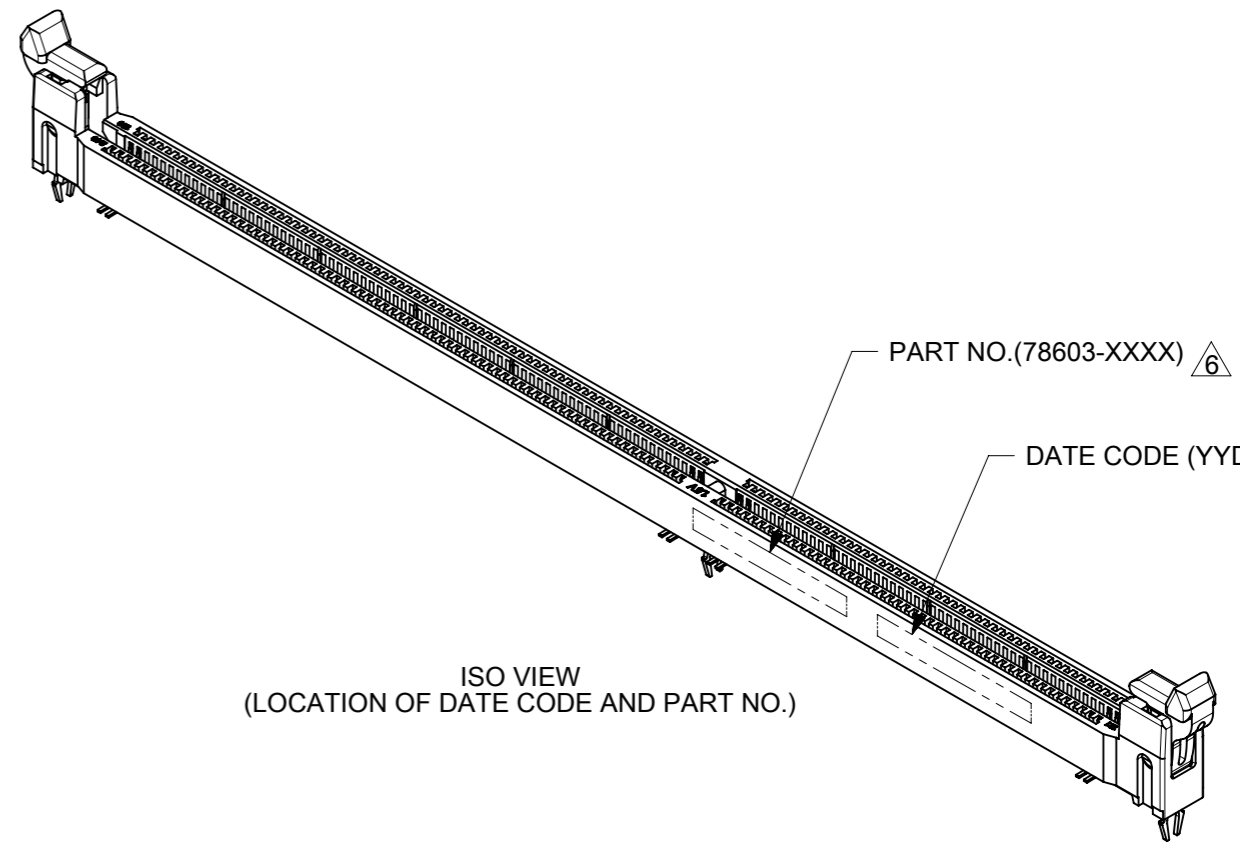
TOP VIEW
(LATCHES ARE IN OPENING POSITION)
CENTER LINE OF 128.60 MIN FEATURE



BOTTOM VIEW
(LATCHES ARE IN OPENING POSITION)



ISO VIEW
(LATCHES ARE IN OPENING POSITION)



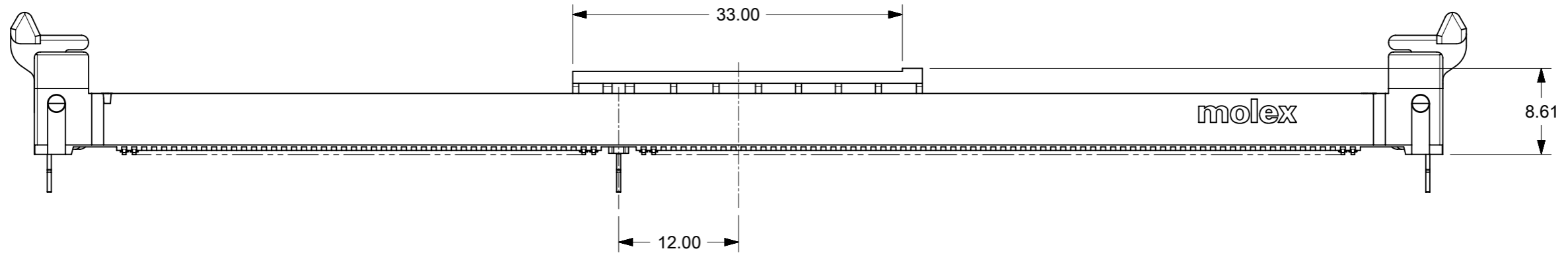
ISO VIEW
(LOCATION OF DATE CODE AND PART NO.)

PART NO.(78603-XXXX) ⁶

DATE CODE (YYDDD) ⁶

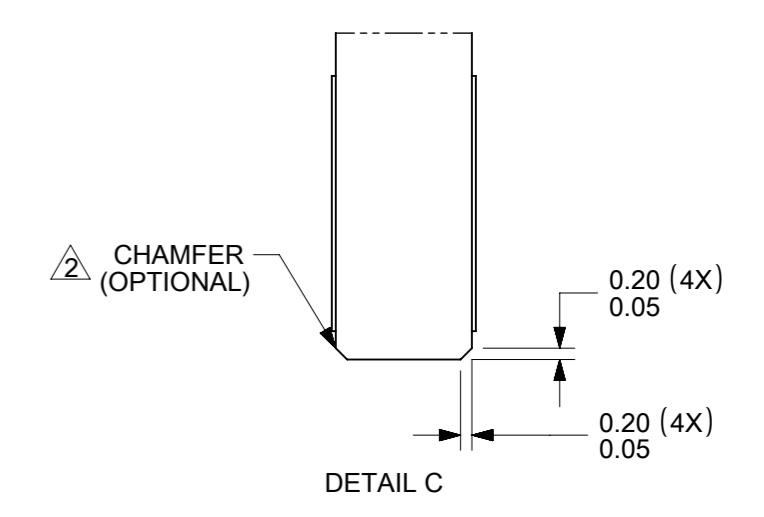
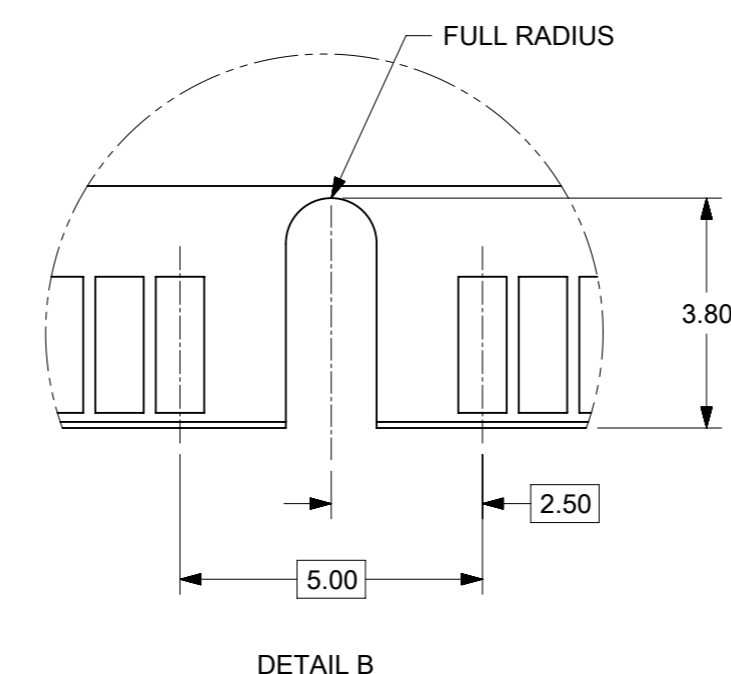
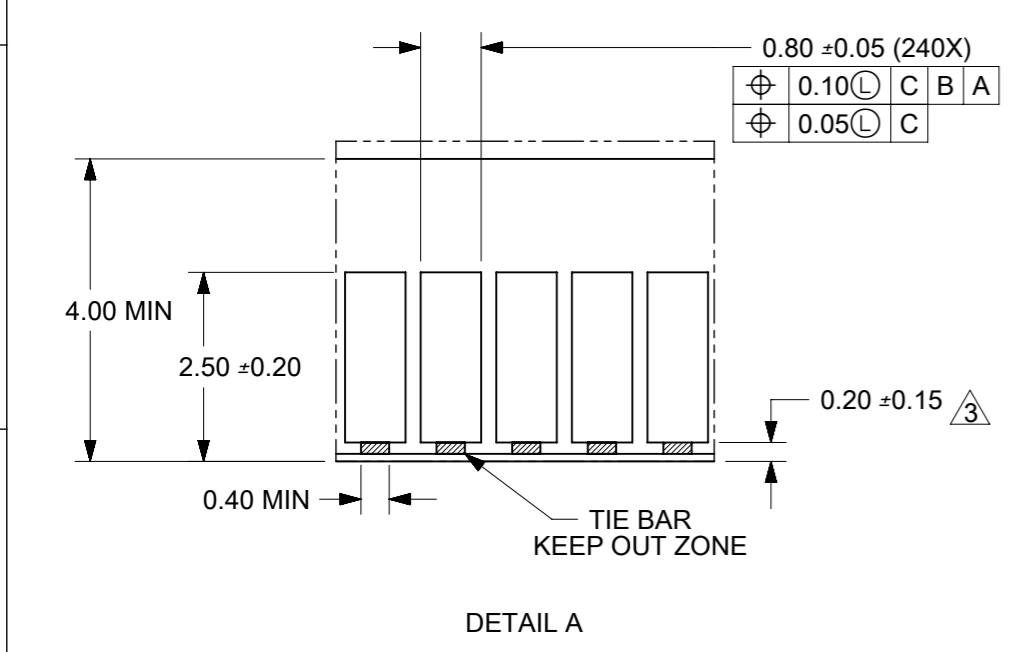
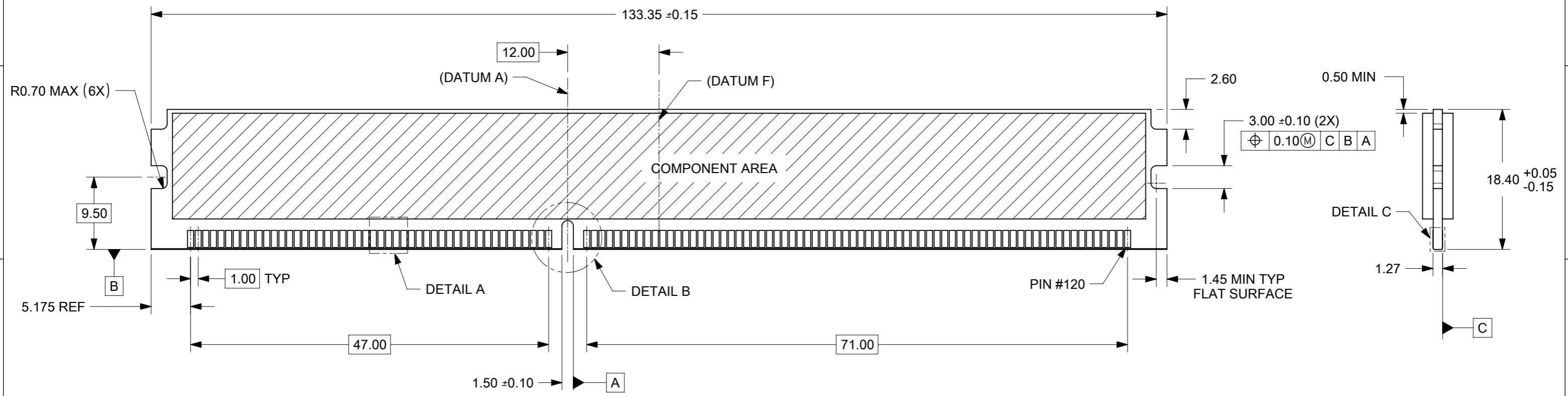
THIS DRAWING CONTAINS INFORMATION THAT IS PROPRIETARY TO MOLEX ELECTRONIC TECHNOLOGIES, LLC AND SHOULD NOT BE USED WITHOUT WRITTEN PERMISSION									
DIMENSION UNITS		SCALE		CURRENT REV DESC: OBSOLETE PART NO				molex	
mm		NTS							
GENERAL TOLERANCES (UNLESS SPECIFIED)				EC NO: 609045		2018/12/12		1MM PITCH DDR3 VLP LSP	
4 PLACES ±		±		DRWN: AKUMAR19		2018/12/14		240CKTS SMT LOWLLCR	
3 PLACES ±		±		CHK'D: GGA		2018/12/14		PRODUCT CUSTOMER DRAWING	
2 PLACES ±		0.2 ±		APPR: GGA		2018/12/14		DOCUMENT NUMBER	
1 PLACE ±		±		INITIAL REVISION:				SD-78603-001	
0 PLACES ±		±		DRWN: CCTEH		2010/03/30		DOC TYPE	
ANGULAR TOL ±		3.0°		APPR: SHLENI		2010/09/08		PSD	
DRAFT WHERE APPLICABLE MUST REMAIN WITHIN DIMENSIONS				THIRD ANGLE PROJECTION		DRAWING		SERIES	
						A3-SIZE		78603	
				MATERIAL NUMBER		CUSTOMER		SHEET NUMBER	
				SEE TABLE		GENERAL MARKET		2 OF 6	

PICK AND PLACE CAP VERSION



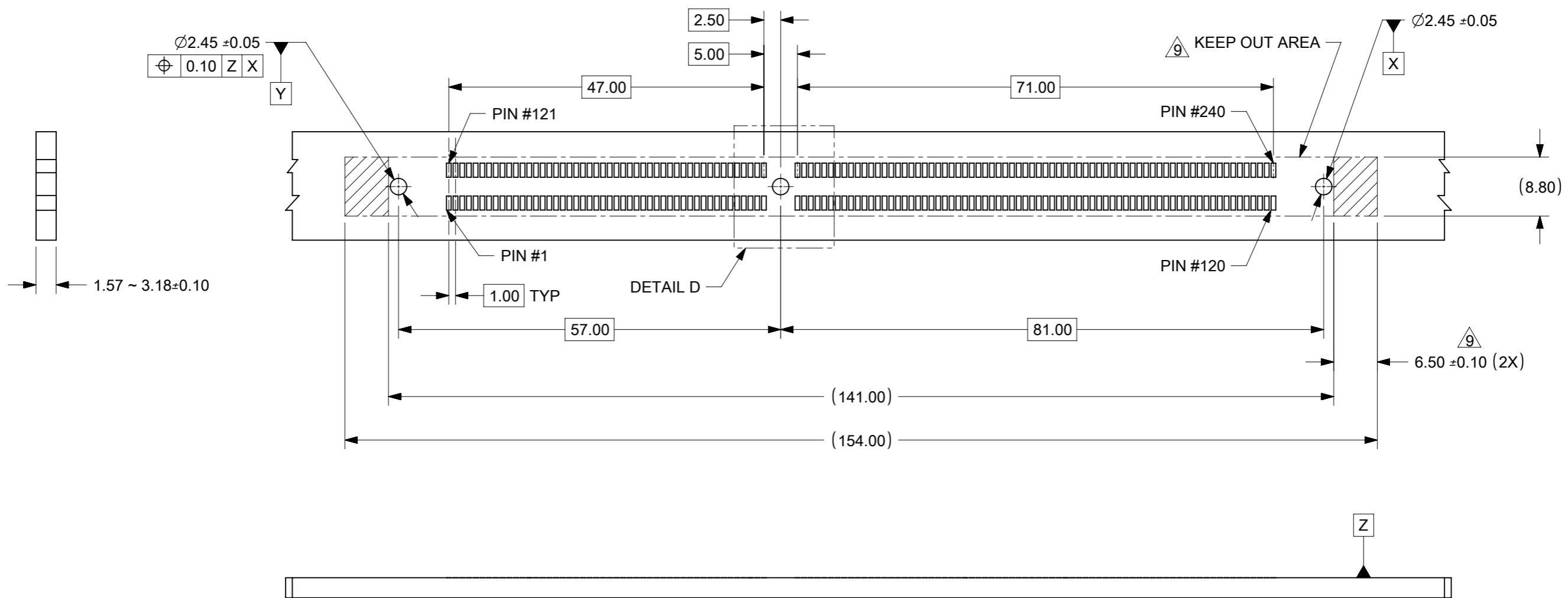
THIS DRAWING CONTAINS INFORMATION THAT IS PROPRIETARY TO MOLEX ELECTRONIC TECHNOLOGIES, LLC AND SHOULD NOT BE USED WITHOUT WRITTEN PERMISSION									
DIMENSION UNITS		SCALE		CURRENT REV DESC: OBSOLETE PART NO				molex	
mm		NTS							
GENERAL TOLERANCES (UNLESS SPECIFIED)				EC NO: 609045		2018/12/12		1MM PITCH DDR3 VLP LSP	
				DRWN: AKUMAR19		2018/12/14		240CKTS SMT LOWLLCR	
				CHK'D: GGA		2018/12/14		PRODUCT CUSTOMER DRAWING	
				APPR: GGA		2018/12/14			
				INITIAL REVISION:				DOCUMENT NUMBER	
4 PLACES ±				DRWN: CCTEH		2010/03/30		SD-78603-001	
3 PLACES ±				APPR: SHLENI		2010/09/08		PSD 001 A	
2 PLACES ± 0.2									
1 PLACE ±									
0 PLACES ±									
ANGULAR TOL ± 3.0°				THIRD ANGLE PROJECTION		DRAWING		SERIES	
DRAFT WHERE APPLICABLE MUST REMAIN WITHIN DIMENSIONS						A3-SIZE		78603	
				MATERIAL NUMBER		CUSTOMER		SHEET NUMBER	
				SEE TABLE		GENERAL MARKET		3 OF 6	

009MODULE CARD
 DDR3 DUAL INLINE MEMORY MODULE FAMILY 1.00 CONTACT CENTERS
 (JEDEC MO-269, ISSUE A, 12/05)

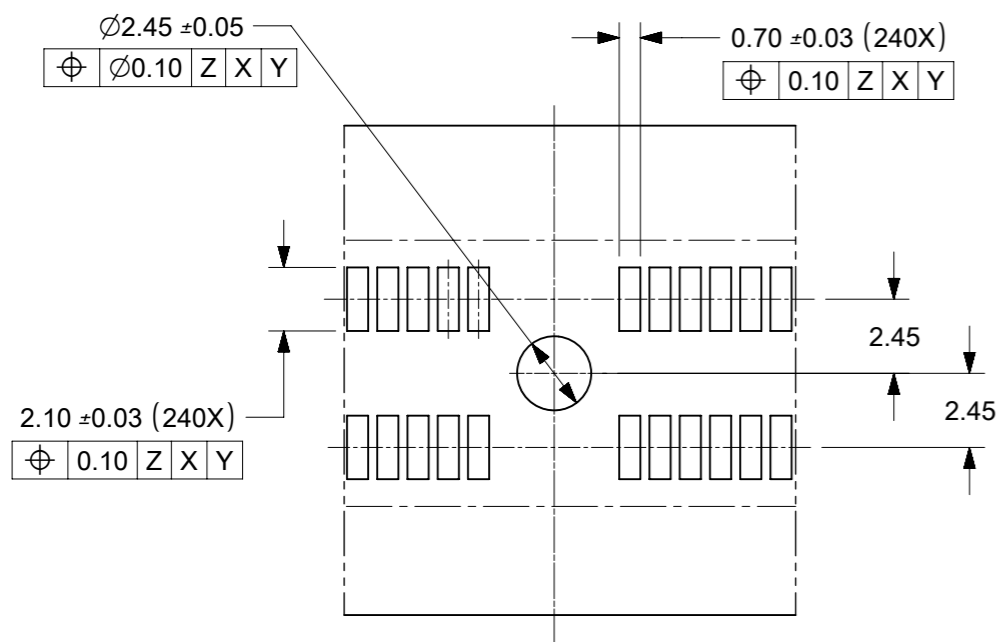


NOTES:
 1. RECOMMENDED PLATING FOR CONTACT PADS:
 PREFERRED: 0.76 MICROMETERS GOLD PLATING MIN
 OVER 2.00 MICROMETERS NICKEL
 ALTERNATIVE: 0.05-0.75 MICROMETERS GOLD PLATING
 OVER 2.00 MICROMETERS NICKEL MUST
 USE AN ELECTRONIC CONTACT GRADE
 CORROSIVE BARRIER LUBRICANT
 2. CHAMFER IS OPTIONAL AND IS NOT TO HIT THE GOLD PADS
 3. LEADING EDGE OF GOLD PADS SPECIFIED BY KEEP-OUT ZONE
 SHALL BE FREE OF BURRS AND EXTERNAL TIE BARS

THIS DRAWING CONTAINS INFORMATION THAT IS PROPRIETARY TO MOLEX ELECTRONIC TECHNOLOGIES, LLC AND SHOULD NOT BE USED WITHOUT WRITTEN PERMISSION									
DIMENSION UNITS		SCALE		CURRENT REV DESC: OBSOLETE PART NO				molex	
mm		NTS							
GENERAL TOLERANCES (UNLESS SPECIFIED)									
		MM		INCH		EC NO: 609045		1MM PITCH DDR3 VLP LSP	
4 PLACES		±		±		DRWN: AKUMAR19 2018/12/12		240CKTS SMT LOWLLCR	
3 PLACES		±		±		CHK'D: GGA 2018/12/14			
2 PLACES		± 0.2		±		APPR: GGA 2018/12/14		PRODUCT CUSTOMER DRAWING	
1 PLACE		±		±		INITIAL REVISION:		DOCUMENT NUMBER	
0 PLACES		±		±		DRWN: CCTEH 2010/03/30		SD-78603-001	
ANGULAR TOL		± 3.0°		±		APPR: SHLENI 2010/09/08		DOC TYPE DOC PART REVISION	
DRAFT WHERE APPLICABLE		THIRD ANGLE PROJECTION		DRAWING		SERIES		MATERIAL NUMBER	
MUST REMAIN WITHIN DIMENSIONS		A3-SIZE		78603		SEE TABLE		CUSTOMER	
						GENERAL MARKET		SHEET NUMBER	
						4 OF 6			



RECOMMENDED STENCIL THICKNESS = 150 MICROMETERS
 RECOMMENDED PCB THICKNESS = 1.57MM ~ 3.18MM



DETAIL D

THIS DRAWING CONTAINS INFORMATION THAT IS PROPRIETARY TO MOLEX ELECTRONIC TECHNOLOGIES, LLC AND SHOULD NOT BE USED WITHOUT WRITTEN PERMISSION									
DIMENSION UNITS		SCALE		CURRENT REV DESC: OBSOLETE PART NO					
mm		NTS							
GENERAL TOLERANCES (UNLESS SPECIFIED)									
		MM		INCH					
4 PLACES		±		±		EC NO: 609045			
3 PLACES		±		±		DRWN: AKUMAR19 2018/12/12			
2 PLACES		± 0.2		±		CHK'D: GGA 2018/12/14			
1 PLACE		±		±		APPR: GGA 2018/12/14			
0 PLACES		±		±		INITIAL REVISION:			
ANGULAR TOL		± 3.0°		±		DRWN: CCTEH 2010/03/30			
						APPR: SHLENI 2010/09/08			
DRAFT WHERE APPLICABLE MUST REMAIN WITHIN DIMENSIONS				THIRD ANGLE PROJECTION		DRAWING		SERIES	
						A3-SIZE		78603	
DOCUMENT NUMBER				DOC TYPE		DOC PART		REVISION	
SD-78603-001				PSD		001		A	
MATERIAL NUMBER				CUSTOMER		SHEET NUMBER			
SEE TABLE				GENERAL MARKET		5 OF 6			

PART NUMBER	VOLTAGE KEY POSITION	PLATING OPTION	HOUSING COLOR	PICK & PLACE CAP	LATCH COLOR
78603-0002	CENTER 1.5V	0.76 μ-METER /30 μ-INCH MIN. GOLD ON CONTACT 2.54 μ-METER /100 μ-INCH MIN. PURE TIN (MATTE) ON SOLDERTAILS 1.27 μ-METER /50 μ-INCH MIN. NICKEL UNDERPLATE	BLACK	NO	NATURAL
78603-0003				BLUE	
78603-0502				YES	NATURAL
78603-0503				BLUE	

THIS DRAWING CONTAINS INFORMATION THAT IS PROPRIETARY TO MOLEX ELECTRONIC TECHNOLOGIES, LLC AND SHOULD NOT BE USED WITHOUT WRITTEN PERMISSION									
DIMENSION UNITS		SCALE		CURRENT REV DESC: OBSOLETE PART NO			molex		
mm		NTS							
GENERAL TOLERANCES (UNLESS SPECIFIED)				EC NO: 609045			1MM PITCH DDR3 VLP LSP		
				DRWN: AKUMAR19			240CKTS SMT LOWLLCR		
4 PLACES ±				2018/12/12					
3 PLACES ±				CHK'D: GGA			2018/12/14		
2 PLACES ± 0.2				APPR: GGA			2018/12/14		
1 PLACE ±				INITIAL REVISION:			PRODUCT CUSTOMER DRAWING		
0 PLACES ±				DRWN: CCTEH			DOCUMENT NUMBER		
ANGULAR TOL ± 3.0°				APPR: SHLENI			SD-78603-001		
DRAFT WHERE APPLICABLE MUST REMAIN WITHIN DIMENSIONS				THIRD ANGLE PROJECTION		DRAWING		SERIES	
						A3-SIZE		78603	
				MATERIAL NUMBER		CUSTOMER		SHEET NUMBER	
				SEE TABLE		GENERAL MARKET		6 OF 6	

DOCUMENT STATUS	P1	RELEASE DATE	2018/12/14	02:56:54
-----------------	----	--------------	------------	----------