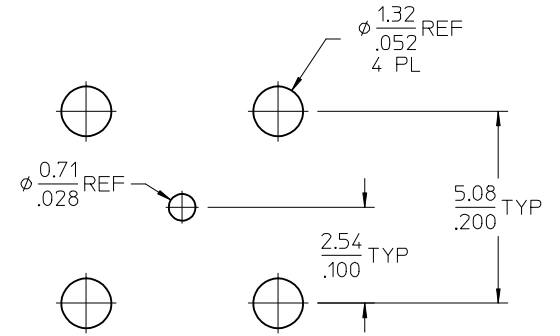
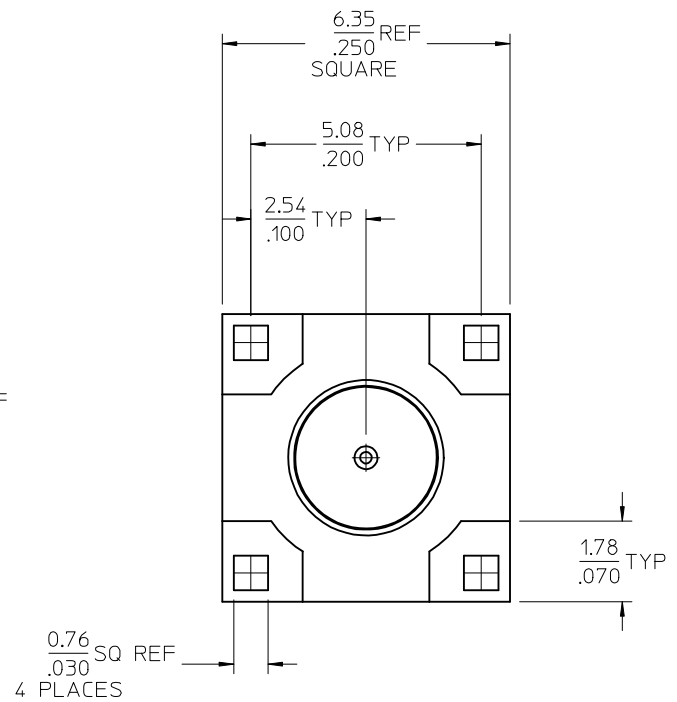
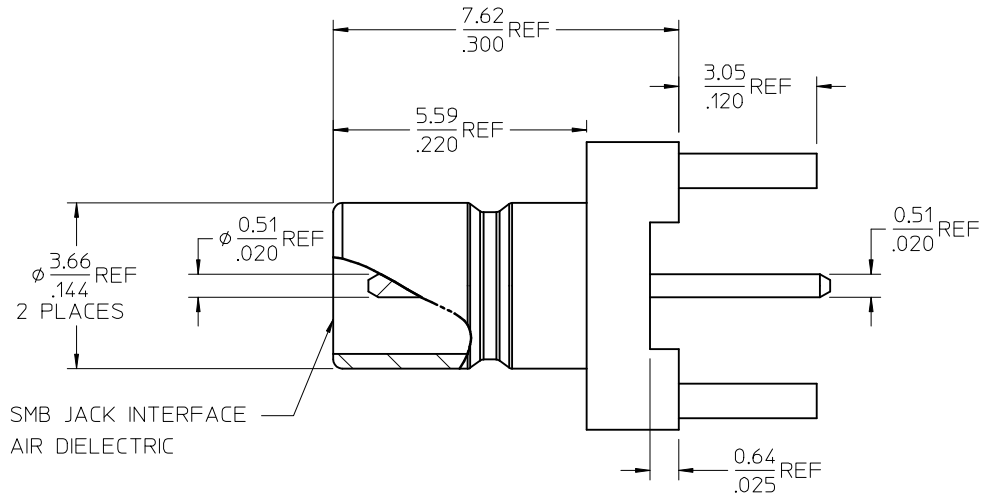
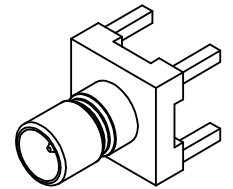


MATERIALS AND FINISHES

BODY BRASS  
PLATED SEE TABLE

CENTER CONTACT BRASS  
PLATED GOLD

INSULATOR TEFLON



73404-0391	NICKEL
73404-0390	GOLD
PART NO.	BODY PLATING

MIL-STD-348A, FIG. 311-1	INTERFACE
SPECIFICATION	DESCRIPTION

CHG: REDRAW IN SD AND RELEASE EC NO: URF2009-0536 DRWN: JWIENER 2009/03/24 CHKD: SSHAH 2009/03/24 APPR: JWIENER 2009/03/24	QUALITY SYMBOLS
	$\nabla=0$ $\nabla=0$
	DESCRIPTION
	REV
	A

GENERAL TOLERANCES (UNLESS SPECIFIED)	
	mm INCH
4 PLACES ±	--- ±
3 PLACES ±	--- ±
2 PLACES ±	--- ±
1 PLACE ±	--- ±
ANGULAR ± 2 °	
DRAFT WHERE APPLICABLE MUST REMAIN WITHIN DIMENSIONS	

DIMENSION STYLE	
MM/IN	
DRAWN BY	DATE
TEF	2000/08/08
CHECKED BY	DATE
SSS	2000/08/08
APPROVED BY	DATE
GMH	2000/08/08
MATERIAL NO.	DOCUMENT NO.
SEE TABLE	SD-73404-039

SCALE	DESIGN UNITS	THIRD ANGLE PROJECTION
	METRIC	
TITLE		
SMB JACK STRAIGHT PCB		
75 OHM AIR DIELECTRIC		
SMB-J/PCB EWR-1050		
MOLEX INCORPORATED		
SHEET NO.		1 OF 1
THIS DRAWING CONTAINS INFORMATION THAT IS PROPRIETARY TO MOLEX INCORPORATED AND SHOULD NOT BE USED WITHOUT WRITTEN PERMISSION		