

F

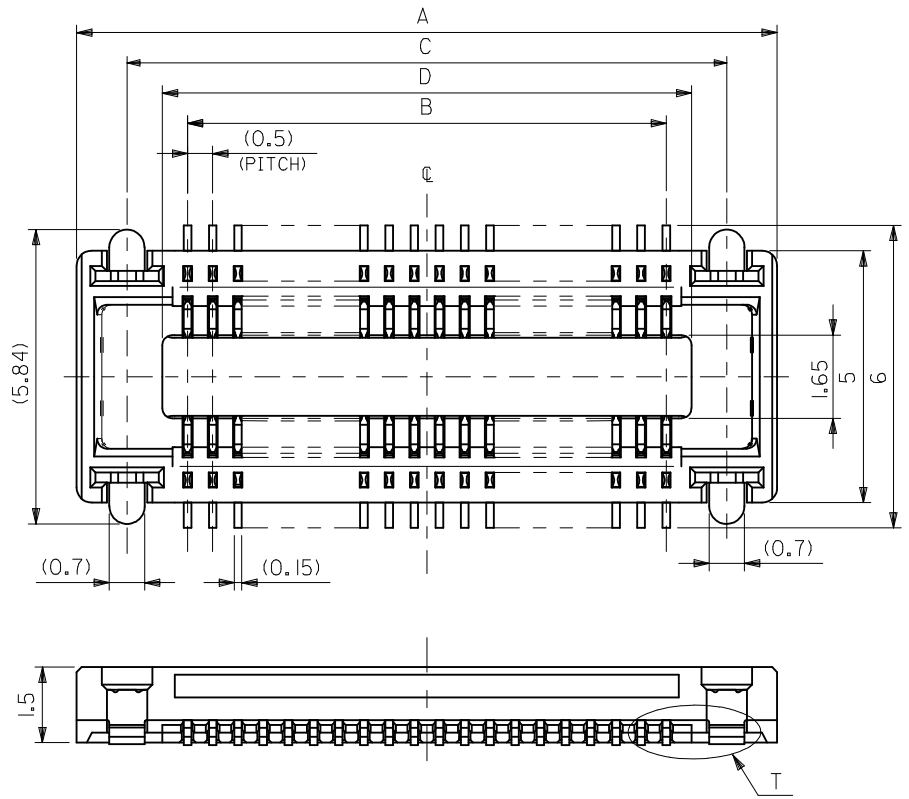
E

D

C

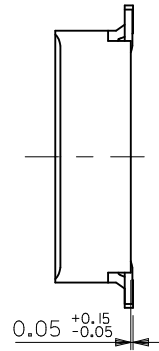
B

A



注記
NOTES:

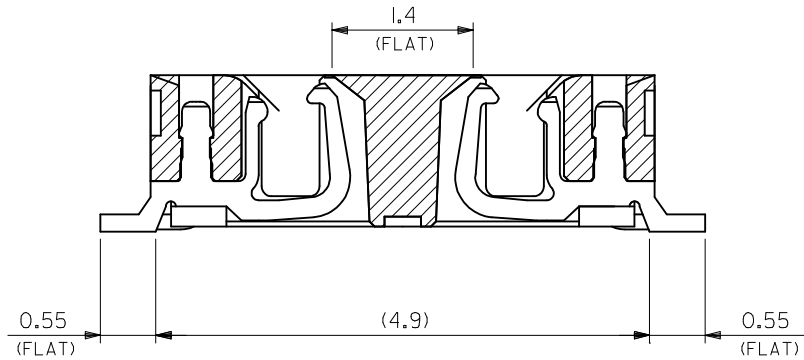
1. 材質
MATERIAL
ハウジング: LCP (液晶ポリマー)、ガラス充填、黒色、UL 94V-0
HOUSING: LCP (LIQUID CRYSTAL POLYMER), GLASS FILLED, BLACK, UL 94V-0
ターミナル: 銅合金 (t=0.15)
TERMINAL: COPPER ALLOY (t=0.15)
ネイル: 銅合金 (t=0.2)
NAIL: COPPER ALLOY (t=0.2)
2. メッキ仕様
PLATING
ターミナル
TERMINAL
接点部: 金メッキ 0.25マイクロメートル以上
CONTACT AREA: GOLD 0.25 MICROMETER MINIMUM
半田付け部: 金メッキ 0.4マイクロメートル以下
SOLDER TAIL AREA: GOLD 0.4 MICROMETER MAXIMUM
下地メッキ: ニッケルメッキ 1.5マイクロメートル以上
UNDER PLATING: NICKEL 1.5 MICROMETER MINIMUM
ネイル
NAIL
半田メッキ 3.0マイクロメートル以上
Sn-Pb 3.0 MICROMETER MINIMUM
下地メッキ: 銅メッキ 1.0マイクロメートル以上
UNDER PLATING: Cu 1.0 MICROMETER MINIMUM
3. テール平坦度は、0.08ミリメートル以下。テールとネイルを併せた平坦度は、0.1ミリメートル以下。
TAIL COPLANARITY TO BE 0.08 MAXIMUM. TAILS AND NAILS COPLANARITY TO BE 0.1 MAXIMUM.
4. 嵌合相手: 55299-**** (H=3mm)
: 55201-****, 55650-**** (H=2mm)
MATED CONN.: 55299-**** (H=3mm)
: 55201-****, 55650-**** (H=2mm)



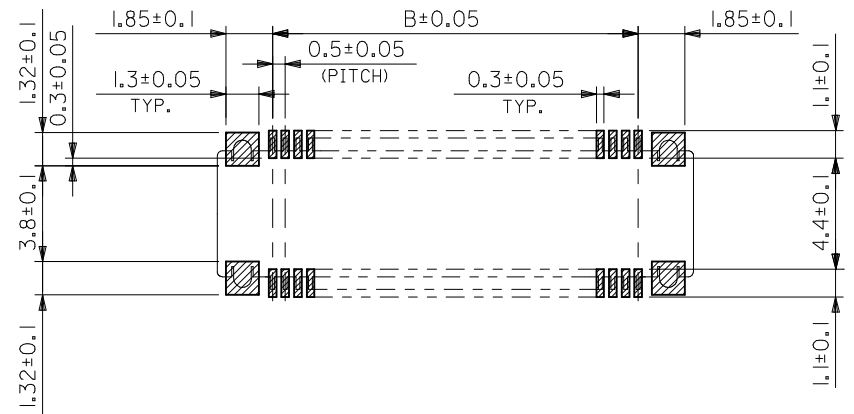
40.5	41.9	39.5	43.9	54363-1608	54363-1601	160	—
35.5	36.9	34.5	38.9	54363-1408	54363-1401	140	○
30.5	31.9	29.5	33.9	54363-1208	54363-1201	120	○
28	29.4	27	31.4	54363-1108	54363-1101	110	○
25.5	26.9	24.5	28.9	54363-1008	54363-1001	100	○
23	24.4	22	26.4	54363-0908	54363-0901	90	—
20.5	21.9	19.5	23.9	54363-0808	54363-0801	80	○
18	19.4	17	21.4	54363-0708	54363-0701	70	○
15.5	16.9	14.5	18.9	54363-0608	54363-0601	60	○
13	14.4	12	16.4	54363-0508	54363-0501	50	○
10.5	11.9	9.5	13.9	54363-0408	54363-0401	40	○
8	9.4	7	11.4	54363-0308	54363-0301	30	○
5.5	6.9	4.5	8.9	54363-0208	54363-0201	20	○
D	C	B	A	エンボス梱包品 EMBOSSED TAPE PACKAGING	製品番号 MATERIAL NO.	極数 CIRCUITS	量産対応 AVAILABLE

REVISED EC NO.: J2016-0601 DRWN: JFURUKAWA 2015/12/08 CHKD: TASAKAWA 2015/12/08 APPR: KMORIKAWA 2015/12/16	GENERAL TOLERANCES (UNLESS SPECIFIED)		DIMENSION STYLE		SCALE	DESIGN UNITS		THIRD ANGLE PROJECTION 0.5 MM PITCH B/B CONN. REC. HSG ASSY (H=2,3MM) WITH FITTING NAIL molex SD-54363-009 SHEET NO. 1 OF 2
	0.25 UNDER UNDER ±0.03		MM ONLY		10:1	METRIC		
	0.25 OVER 0.5 UNDER ±0.05		DRAWN BY DATE		TITLE			
	0.5 OVER 1.0 UNDER ±0.1		H. SHIMOMYAMA 1998/04/25					
	1.0 OVER 10 UNDER ±0.2		CHECKED BY DATE					
10 OVER 30 UNDER ±0.25		M. SASAO 1998/04/25		APPROVED BY DATE				
30 OVER ±0.3		MATERIAL NO.		DOCUMENT NO.				
ANGULAR ±3 °		SEE CHART						
DRAFT WHERE APPLICABLE MUST REMAIN WITHIN DIMENSIONS		SIZE A3		THIS DRAWING CONTAINS INFORMATION THAT IS PROPRIETARY TO MOLEX ELECTRONIC TECHNOLOGIES, LLC AND SHOULD NOT BE USED WITHOUT WRITTEN PERMISSION				

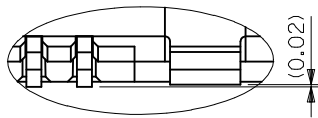
10 9 8 7 6 5 4 3 2 1



製品断面図 (半田付け部、吸着面寸法)
 DETAIL FOR SOLDERING AND VACUUM AREA



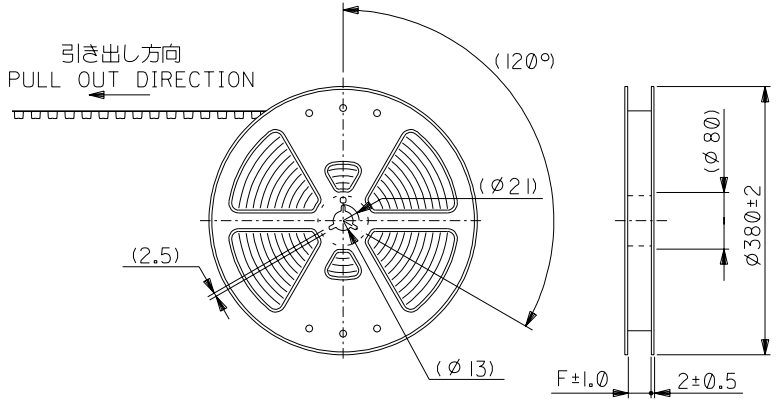
推奨基板寸法
 RECOMMENDED PCB PATTERN LAYOUT
 (SCALE:5-1)



上部詳細
 DETAIL T

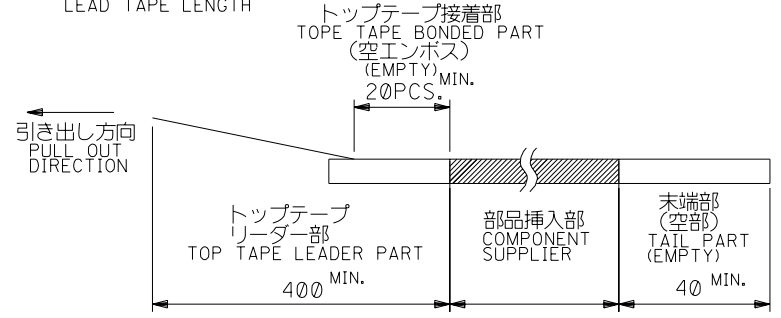
REVISED	EC NO: J2016-0601	GENERAL TOLERANCES (UNLESS SPECIFIED)		DIMENSION STYLE		SCALE	DESIGN UNITS	THIRD ANGLE PROJECTION	
	DRWN: JFURUKAWA 2015/12/08	0.25 UNDER	UNDER	±0.03	MM ONLY		20:1	METRIC	TITLE 0.5 MM PITCH B/B CONN. REC. HSG ASSY(H=2,3MM) WITH FITTING NAIL
	CHKD: TASAKAWA 2015/12/08	0.25 OVER	0.5 UNDER	±0.05	DRAWN BY	DATE			
	APPR: KMORIKAWA 2015/12/16	0.5 OVER	1.0 UNDER	±0.1	H. SHIMOYAMA	1998/04/25	DOCUMENT NO.		
	DESCRIPTION	1.0 OVER	10 UNDER	±0.2	CHECKED BY	DATE	SD-54363-009		
REV	30 OVER	30 UNDER	±0.25	M. SASAO	1998/04/25	SHEET NO.			
	ANGULAR	±3 °	±0.3	APPROVED BY	DATE	2 OF 2			
	DRAFT WHERE APPLICABLE MUST REMAIN WITHIN DIMENSIONS			SIZE	THIS DRAWING CONTAINS INFORMATION THAT IS PROPRIETARY TO MOLEX ELECTRONIC TECHNOLOGIES, LLC AND SHOULD NOT BE USED WITHOUT WRITTEN PERMISSION				
				A3	SEE CHART				

9 8 7 6 5 4 3 2 1



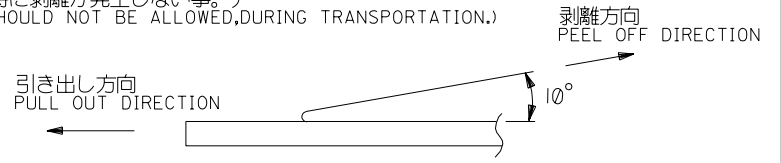
注)
NOTES

- 製品番号54363-***I 詳細寸法については、製品単体図面を参照下さい。
IN THE PACKAGE PART NUMBER 54363-***I DETAILED DIMENSIONS, SEE SALES DRAWING FOR CONNECTOR.
- 梱包数量：2500個/リール
NUMBER OF CONNECTORS:2500 PCS/REEL.
- リードテープ長さ
LEAD TAPE LENGTH



- トップテープの剥離強度：(剥離方向は下図参照)
PEELING OFF FORCE OF TOP TAPE (PELLING DIRECTION AS SHOWN IN FOLLOWING FIGURE.)
0. 1~1. 3N (10~130gf)

尚、本規格値は、出荷時に適用。
THIS REQUIREMENT SHOULD BE APPLIED AT SHIPMENT.
(但し、輸送時に剥離が発生しない事。)
(PEEL OFF SHOULD NOT BE ALLOWED,DURING TRANSPORTATION.)

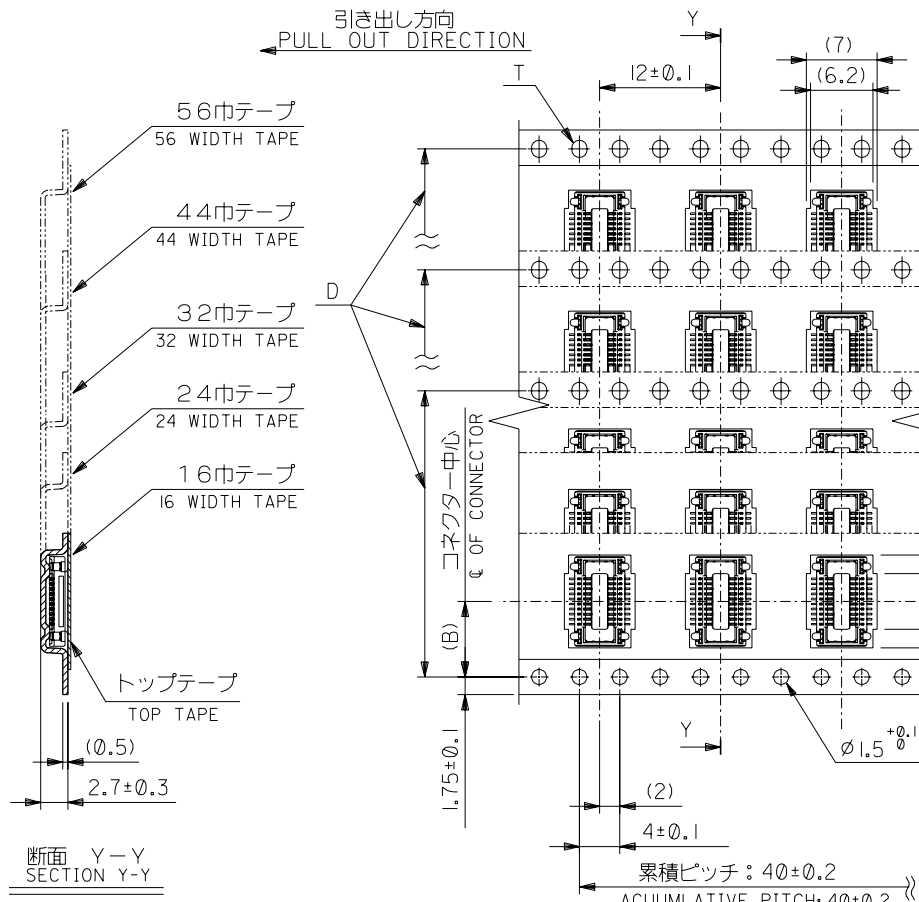


- 材料
MATERIAL
キャリアテープ：ポリプロピレン (PP)
CARRIER TAPE:POLYPROPYLENE(PP)
トップテープ：PET, PE, PEF
TOP TAPE:PET,PE,PEF
リール：ポリスチレン
REEL : POLYSTYRENE

DO NOT SCALE DRAWING

EC NO. DRAWN: CHK: APPR:	REVISED ECNNO. J2004-0517 DRAWN:SHIMOYAMA 03/09/03 CHK: H.HIRATA 03/09/03 APPR:M.SASAO 03/09/03	REVISED ECNNO. J2003-1812 DRAWN:SHIMOYAMA 03/01/14 CHK: K.KASAHARA 03/01/14 APPR:T.YAMAGUCHI 03/01/14	REVISED ECNNO. J2003-0565 DRAWN:SHIMOYAMA 02/09/02 CHK: K.KASAHARA 02/09/02 APPR:T.YAMAGUCHI 02/09/02	REVISED ECNNO. J2002-1629 DRAWN:SHIMOYAMA 02/01/11 CHK: K.KASAHARA 02/01/11 APPR:T.YAMAGUCHI 02/01/11	MATERIAL 材料 注記参照 SEE NOTES	GENERAL TOLERANCES: (UNLESS SPECIFIED) 一般公差	SCALE NONE	DESIGN UNITS <input checked="" type="checkbox"/> mm <input type="checkbox"/> INCH	THIRD ANGLE PROJECTION	DIMENSIONS: <input type="checkbox"/> mm <input type="checkbox"/> INCH <input checked="" type="checkbox"/> mm ONLY	SHT	REV
	H	G	F	E	FINISH 仕上げ 注記参照 SEE NOTES	10 UNDER 未満 ±0.2	10 OVER 30 UNDER 未満 ±0.25	30 OVER 以上 ±0.3	ANGLE 角度 ±3°	DRAWN BY & DATE Shimoyama '98/04/25	CHECKED BY & DATE M. Sasao '98/04/25	TITLE: 54363-***I TAPING PACKAGE
					WIRE RANGE 適用線径範囲 #			APPROVED BY & DATE M. Sasao '98/04/25	CAD FILENAME 54363010.S01	MATERIAL NO. SEE CHART	DRAWING NO. SD-54363-010	SHEET NO. 1 OF 2
					INS. RANGE 被覆外径 #			THIS DRAWING CONTAINS INFORMATION THAT IS PROPRIETARY TO MOLEX INCORPORATED AND SHOULD NOT BE USED WITHOUT WRITTEN PERMISSION.			SIZE B	

DWG. NO.
SD-54363-010



57.5	56±0.3	52.4	44.2 39.2 34.2	26.2	40.55 30.55	54363-1608 54363-1408 54363-1208	160 140 120	— ○ ○
45.5	44±0.3	40.4	31.7 29.2 26.7 24.2	20.2	28.05 23.05 20.55	54363-1108 54363-1008 54363-0908 54363-0808	110 100 90 80	○ ○ — ○
33.5	32±0.3	28.4	21.7 19.2	14.2	18.05 15.55	54363-0708 54363-0608	70 60	○ ○
25.5	24±0.3	—	16.7 14.2 11.7	11.5	13.05 10.55 8.05	54363-0508 54363-0408 54363-0308	50 40 30	○ ○ ○
17.5	16±0.3	—	9.2	7.5	5.55	54363-0208	20	○
F	E キャリアテープ幅 CARRIER TAPE WIDTH	D	(C)	(B)	(A)	製品番号 MATERIAL NO.	極数 CIRCUITS	量産対応 AVAILABLE

DO NOT SCALE DRAWING

EC NO. DRAWN: CHK'g: APPR:	REVISED ECNNO. J2004-0517 DRAWN:H.SHIMOYAMA 98/09/03 CHK'g: H.HIRATA 98/09/03 APPR:M.SASAO 98/09/03	REVISED ECNNO. J2003-1812 DRAWN:H.SHIMOYAMA 98/01/14 CHK'g: K.KASAHARA 98/01/14 APPR:T.YAMAGUCHI 98/01/14	REVISED ECNNO. J2003-0565 DRAWN:H.SHIMOYAMA 98/09/02 CHK'g: K.KASAHARA 98/09/02 APPR:T.YAMAGUCHI 98/09/02	REVISED ECNNO. J2002-1629 DRAWN:H.SHIMOYAMA 98/01/11 CHK'g: K.KASAHARA 98/01/11 APPR:T.YAMAGUCHI 98/01/11	MATERIAL 材料	—	FINISH 仕上げ	—	WIRE RANGE 適用線径範囲	—	INS. RANGE 被覆外径	—
REV	H	G	F	E	DESCRIPTION	—	—	—	—	—	—	—

GENERAL TOLERANCES: (UNLESS SPECIFIED) 一般公差	SCALE NONE	DESIGN UNITS <input checked="" type="checkbox"/> mm <input type="checkbox"/> INCH	THIRD ANGLE PROJECTION	<input type="checkbox"/> mm <input type="checkbox"/> INCH <input checked="" type="checkbox"/> mm ONLY	SHT	REV
10 UNDER 未滿	±0.2	DRAWN BY & DATE H. Shimoyama 98/04/25	TITLE: 54363-***1 TAPING PACKAGE			
10 OVER 以上	±0.25	CHECKED BY & DATE M. Sasao 98/04/25				
30 OVER 以上	±0.3	APPROVED BY & DATE 98/04/25				
ANGLE 角度	±3°	CAD FILENAME 54363010.S02	MATERIAL NO. SEE CHART	DRAWING NO. SD-54363-010	SHEET NO. 2	REVISE ON CAD ONLY
THIS DRAWING CONTAINS INFORMATION THAT IS PROPRIETARY TO MOLEX INCORPORATED AND SHOULD NOT BE USED WITHOUT WRITTEN PERMISSION.						SIZE B