



5 CIRCUIT SHOWN
AUX. VIEW
SCALE 1:1



- NOTES:
1. MATERIAL: SEE TABLE
 2. FINISHES: SEE TABLE
 3. INCH DIMS ARE SHOWN IN BRACKETS [XXX].
 4. "XX" REFERS TO QUANTITY OF CIRCUITS.
 5. ASSEMBLY IS ROHS COMPLIANT.

| ITEM | QTY. | DESCRIPTION | MATERIAL | FINISH |
|------|------|---|----------|--------------------|
| 6 | XX | SCREW, #6-32X.250, PANHD, PH-SL W/SO WASHER | BRASS | NICKEL PLATED |
| 5 | XX | SCREW, #6-32X.250, PANHD, PH-SL W/SO WASHER | STEEL | ZN. CLEAR CHROMATE |
| 4 | XX | SCREW, #6-32X.250, BHD, PH-SL | BRASS | NICKEL PLATED |
| 3 | XX | SCREW, #6-32X.250, BHD, PH-SL | STEEL | ZN. CLEAR CHROMATE |
| 2 | XX | TERMINAL, PC | BRASS | TIN PLATED |
| 1 | 1 | INSULATOR, SINGLE ROW, UL94 V-0 (C) | PBT | BLACK |

ADD UL FLAME RATING
EC NO: ETC2007-0432
DRAWN: CLYORK 2007/05/30
CHKD: JMAGNELL 2007/06/10
APPR: JMAGNELL 2007/06/11

QUALITY SYMBOLS

 DESCRIPTION
 REV

| GENERAL TOLERANCES (UNLESS SPECIFIED) | |
|---------------------------------------|--------|
| mm | INCH |
| 4 PLACES ± --- | ± --- |
| 3 PLACES ± --- | ± .005 |
| 2 PLACES ± 0.13 | ± .01 |
| 1 PLACE ± 0.3 | ± --- |
| ANGULAR ± 2 ° | |

DIMENSION STYLE
MM/IN

DRAWN BY: C. YORK
DATE: 2004/01/21

CHECKED BY: R. KEMP
DATE: 2004/01/26

APPROVED BY: P. WALTZ
DATE: 2004/01/26

MATERIAL NO.
SEE SHT. 2

SCALE 2:1
DESIGN UNITS INCH
THIRD ANGLE PROJECTION

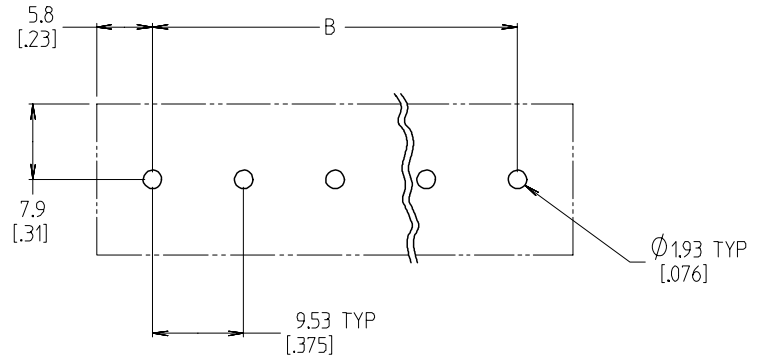
TITLE
9.53MM SR BTS, PC TERM.
ASSY, WITH PADS, NO MTG
ENDS

MOLEX MOLEX INCORPORATED

DOCUMENT NO. SD-38720-003
SHEET NO. 1 OF 2

THIS DRAWING CONTAINS INFORMATION THAT IS PROPRIETARY TO MOLEX INCORPORATED AND SHOULD NOT BE USED WITHOUT WRITTEN PERMISSION

| MATERIAL NO. (STD) | MATERIAL NO. (-49) | MATERIAL NO. (-50) | MATERIAL NO. (-49-50) | # OF CIRC. "XX" | "A" | "B" |
|--------------------|--------------------|--------------------|-----------------------|-----------------|--------------|--------------|
| 387206602 | 387207202 | 387207802 | 387291193 | 2 | 21.2 (.83) | 9.5 (.38) |
| 387206603 | 387207203 | 387207803 | 387291333 | 3 | 30.7 (1.21) | 19.1 (.75) |
| 387206604 | 387207204 | 387207804 | 387291195 | 4 | 40.2 (1.58) | 28.6 (1.13) |
| 387206605 | 387207205 | 387207805 | | 5 | 49.7 (1.96) | 38.1 (1.50) |
| 387206606 | 387207206 | 387207806 | 387291199 | 6 | 59.3 (2.33) | 47.6 (1.88) |
| 387206607 | 387207207 | 387207807 | | 7 | 68.8 (2.71) | 57.2 (2.25) |
| 387206608 | 387207208 | 387207808 | 387291202 | 8 | 78.3 (3.08) | 66.7 (2.63) |
| 387206609 | 387207209 | 387207809 | | 9 | 87.8 (3.46) | 76.2 (3.00) |
| 387206610 | 387207210 | 387207810 | | 10 | 97.4 (3.83) | 85.7 (3.38) |
| 387206611 | 387207211 | 387207811 | 387291204 | 11 | 106.9 (4.21) | 95.3 (3.75) |
| 387206612 | 387207212 | 387207812 | | 12 | 116.4 (4.58) | 104.8 (4.13) |
| 387206613 | 387207213 | 387207813 | | 13 | 125.9 (4.96) | 114.3 (4.50) |
| 387206614 | 387207214 | 387207814 | | 14 | 135.5 (5.33) | 123.8 (4.88) |
| 387206615 | 387207215 | 387207815 | | 15 | 145.0 (5.71) | 133.4 (5.25) |
| 387206616 | 387207216 | 387207816 | 387291208 | 16 | 154.5 (6.08) | 142.9 (5.63) |
| 387206617 | 387207217 | 387207817 | | 17 | 164.0 (6.46) | 152.4 (6.00) |
| 387206618 | 387207218 | 387207818 | | 18 | 173.6 (6.83) | 161.9 (6.38) |
| 387206619 | 387207219 | 387207819 | | 19 | 183.1 (7.21) | 171.5 (6.75) |
| 387206620 | 387207220 | 387207820 | | 20 | 192.6 (7.58) | 181.0 (7.13) |
| 387206621 | 387207221 | 387207821 | | 21 | 202.1 (7.96) | 190.5 (7.50) |
| 387206622 | 387207222 | 387207822 | 387291210 | 22 | 211.7 (8.33) | 200.0 (7.88) |
| 387206623 | 387207223 | 387207823 | | 23 | 221.2 (8.71) | 209.6 (8.25) |
| 387206624 | 387207224 | 387207824 | | 24 | 230.7 (9.08) | 219.1 (8.63) |
| 387206625 | 387207225 | 387207825 | | 25 | 240.2 (9.46) | 228.6 (9.00) |
| 387206626 | 387207226 | 387207826 | | 26 | 249.8 (9.83) | 238.1 (9.38) |



RECOMMENDED PTH PATTERN

| | | | | | | | | |
|---|-------------------------------|---------------------------------------|--|---|--|---|------------------------|--|
| SEE SHEET ONE EC NO: ETC2007-0432 DRWN: CLYORK 2007/05/30 CHKD: JMAGNELL 2007/06/10 APPR: JMAGNELL 2007/06/11 | QUALITY SYMBOLS ▽=0 ▽=0 | GENERAL TOLERANCES (UNLESS SPECIFIED) | | DIMENSION STYLE | SCALE | DESIGN UNITS | THIRD ANGLE PROJECTION | |
| | | | | MM/IN | 2:1 | INCH | | |
| | | | | | | | | |
| | | | | | | | | |
| | | | | DRAWN BY: C. YORK CHECKED BY: R. KEMP APPROVED BY: P. WALTZ | DATE: 2004/01/21 DATE: 2004/01/26 DATE: 2004/01/26 | TITLE: 9.53MM SR BTS, PC TERM. ASSY, WITH PADS, NO MTG ENDS | | |
| | | | | MATERIAL NO.: SEE CHART SIZE B | DOCUMENT NO.: SD-38720-003 | MOLEX INCORPORATED | | |
| | | | | DRAFT WHERE APPLICABLE MUST REMAIN WITHIN DIMENSIONS | | SHEET NO.: 2 OF 2 | | |
| | | | | THIS DRAWING CONTAINS INFORMATION THAT IS PROPRIETARY TO MOLEX INCORPORATED AND SHOULD NOT BE USED WITHOUT WRITTEN PERMISSION | | | | |