

REVISIONS

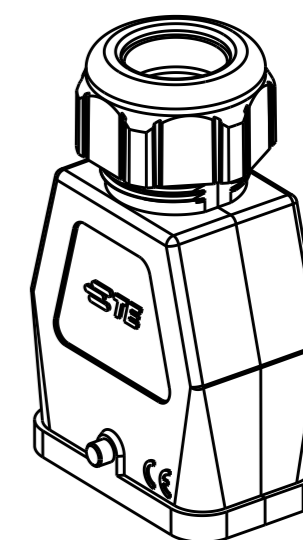
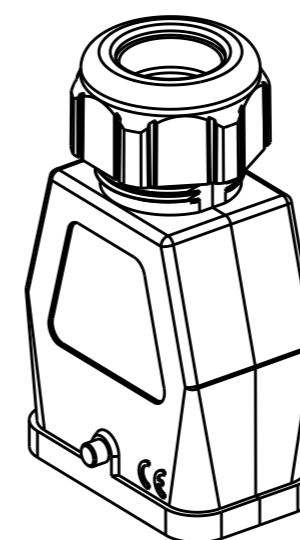
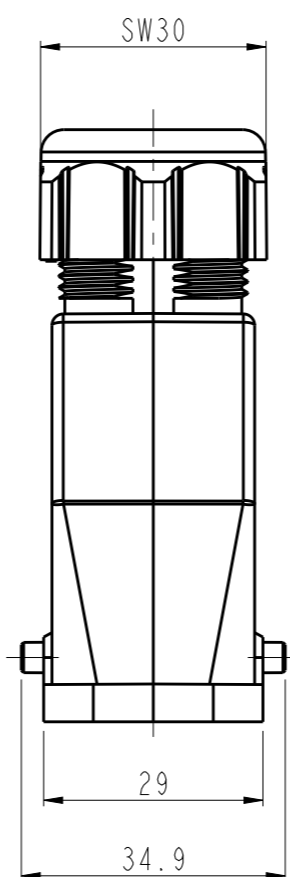
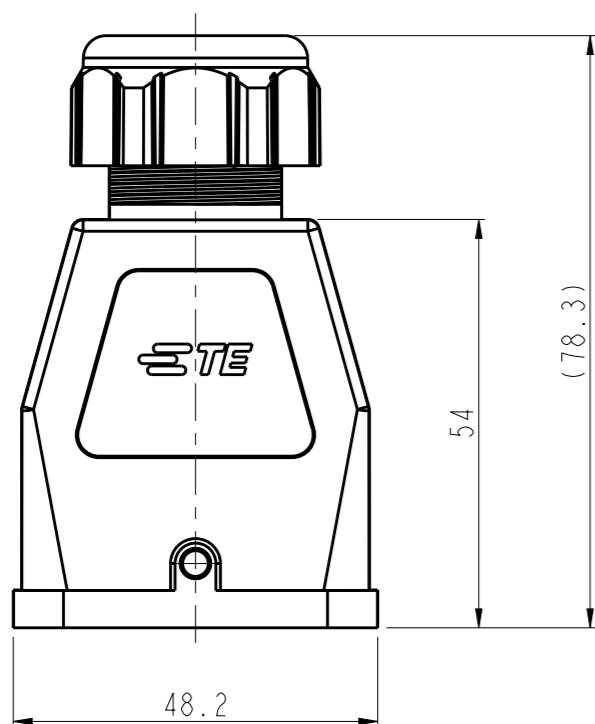
P	LTR	DESCRIPTION	DATE	DWN	APVD
	A	INITIAL	03AUG2017	QY	CW
	A1	ECR-18-000639	17JAN2018	QY	CW
	B	ECR-20-008412	26NOV2020	BS	CW

NOTES:

- 1. TECHNICAL CHARACTERISTICS:
HOOD MATERIAL: POLYAMIDES
SURFACE COLOR: BLACK
DEGREE OF PROTECTION: IP65 (MATED)

注释:

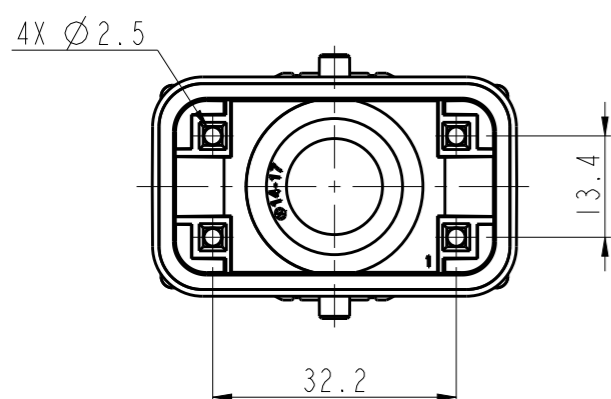
- 1. 技术参数:
外壳材料: 尼龙
颜色: 黑色
防护等级: IP65(配合)




TYPE-2: NO LOGO
类型-2: 无 LOGO

TYPE-1: TE LOGO
类型-1: TE LOGO

ALL THE DIMENSION ARE THE SAME WITH TYPE-1,
EXCEPT THE LOGO.
除了LOGO, 所有尺寸与类型-1一致.



T1329081125-002	H8A-TG-M25	H8A PLASTIC HOOD, TOP ENTRY M25, 2 EAR, BLACK(14-17), NO LOGO H8A 塑料上壳, 顶出M25, 2耳, 黑色(14-17), 无LOGO	TYPE-2 类型-2
T1329081125-000	H8A-TG-M25	H8A PLASTIC HOOD, TOP ENTRY M25, 2 EAR, BLACK(14-17) H8A 塑料上壳, 顶出M25, 2耳, 黑色(14-17)	TYPE-1 类型-1
PART NUMBER 料号	PART DESCRIPTION 描述		TYPE 类型

THIS DRAWING IS A CONTROLLED DOCUMENT.		DWN 03AUG2017 QIANG YUAN	 TE Connectivity	
DIMENSIONS: mm		CHK 03AUG2017 GINO YAO		
TOLERANCES UNLESS OTHERWISE SPECIFIED: ACC. to ISO 2768-M		APVD 03AUG2017 CHRIS WANG	NAME H8A-TG-M25	
0 PLC ±-		PRODUCT SPEC 108-137137	SIZE	
1 PLC ±-		APPLICATION SPEC 114-137137	CAGE CODE	
2 PLC ±-		WEIGHT	DRAWING NO	
3 PLC ±-		CUSTOMER DRAWING	RESTRICTED TO	
4 PLC ±-			A3 00779 ©-T1329081125000	
ANGLES ±-			SCALE 1:1	
FINISH			SHEET 1 OF 1	
-			REV B	
-				