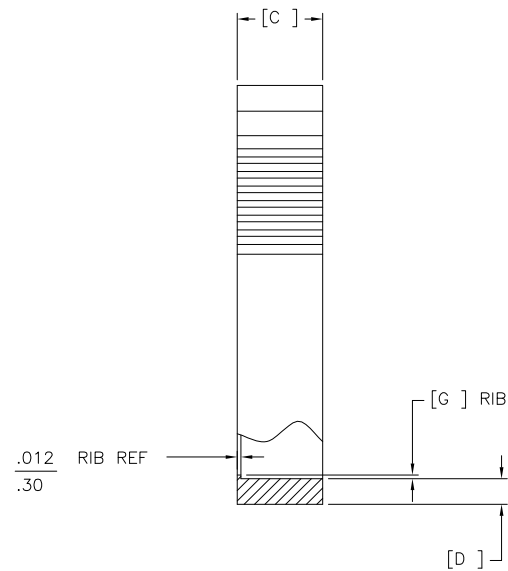
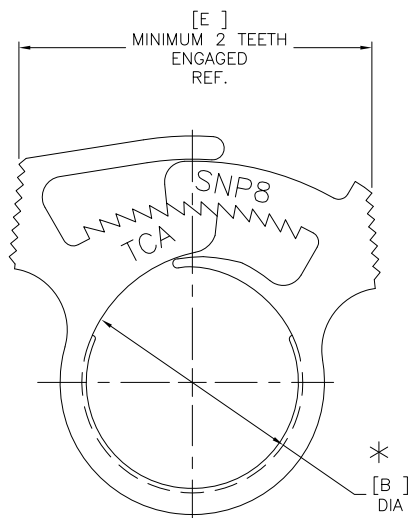


REDUCED
NO SCALE



| | | | | | | | | |
|-----------------------|---------------|---------------|---------------|--------------|--------------|---------------|---------------|-------------|
| 16 | IN MM | .516 13.10 | .591 15.00 | .224 5.70 | .067 1.70 | .980 24.90 | .657 16.70 | .004 .10 |
| NUMBER OF TEETH | DIM TOL(μ) | *[A] | *[B] | [C] | [D] | [E] | [F] | [G] |
| | | REF | | | | | | |
| | | | | | .010 -.25 | | | REF |

HellermannTyton.

ALL PROPRIETARY RIGHTS IN THE SUBJECT MATTER SHOWN ON THIS DRAWING ARE EXCLUSIVE PROPERTY OF TYTONHELLERMANN

| name | date | city, state |
|------|------|-------------|
| | | |
| | | |
| | | |

NOTES

- * 1. INSIDE DIAMETERS ARE MEASURED IN THREE PLACES SPACED 120° APART EXCLUDING RIB [G]
2. DRAWING CREATED FROM SNP-10 DATA BASE. USE FOR DIMENSIONAL INFO. ONLY

REVISIONS

| level | date | by | ECN # |
|-------|----------|-----|--------|
| 1 | 06/13/19 | CTF | 015216 |

part level A

DIMENSIONS

.XXXX= .XXX= NOTED
.XX= .X= ∠= unless otherwise specified
units inches/mm

PART

number @ SNP8GHS phase PRODUCTION

name SNAPPER 8 HOSE CLAMP

material PA66GF13 or PA66HIRHSG15 COLOR: BLACK

DRAWING

| FORM | C | version | L | CAD | ACAD | scale | 4X |
|----------------------|---------------------------|--------------------|-----------------|----------|----------|-------|----|
| computer file number | CP\CP2008\CP2008001CST_02 | CP\CP2008\2008001A | previous number | | | | |
| drawn | A.A.M. | checked | K.A.C. | approved | MHT | | |
| date | 10/25/99 | date | 11/09/99 | approved | 06/13/19 | | |
| type | CUSTOMER | sheet | 1 of 1 | | | | |
| number | CP2008001CST | | | | | | |