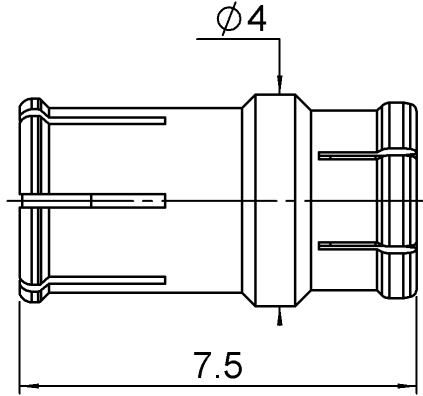


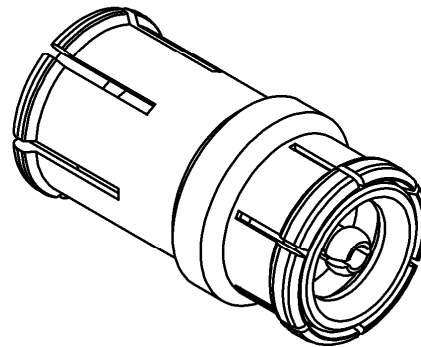
**SMP-MAX FEMALE SLIDE-MMBX MALE SNAP TYPE  
STRAIGHT ADAPTER**

**R191.560.000**

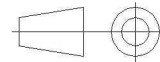
Série : ADAPTER



  
Scale: 1/1



All dimensions are in mm.



COMPONENTS	MATERIALS	PLATING ( $\mu\text{m}$ )
BODY	BERYLLIUM COPPER	NPGR
CENTER CONTACT	BERYLLIUM COPPER	NPGR
OUTER CONTACT		
INSULATOR	PTFE	
GASKET		
OTHERS PARTS		
-	-	-
-	-	-

Issue : 1045 A

In the effort to improve our products, we reserve the rights to make changes judged to be necessary.

**RADIALL** 

**SMP-MAX FEMALE SLIDE-MMBX MALE SNAP TYPE**

**R191.560.000**

**STRAIGHT ADAPTER**

Série : **ADAPTER**

**PACKAGING**

**SPECIFICATION**

Standard	Unit	Other
<b>100</b>	<b>'W' option</b>	<b>Contact us</b>

**ELECTRICAL CHARACTERISTICS**

**ENVIRONMENTAL**

Impedance	<b>50</b> Ω
Frequency	<b>0-6</b> GHz
VSWR	<b>1.25*</b> + <b>0,0000</b> x F(GHz) Maxi
Insertion loss	<b>0.15*</b> √F(GHz) dB Maxi
RF leakage	- ( <b>NA</b> - F(GHz)) dB Maxi
Voltage rating	<b>335</b> Veff Maxi
Dielectric withstanding voltage	<b>500</b> Veff mini
Insulation resistance	<b>1000</b> MΩ mini

Operating	<b>-55/+155</b> °C
Hermetic seal	<b>NA</b> Atm.cm3/s
Panel leakage	<b>NA</b>

**MECHANICAL CHARACTERISTICS**

**OTHER CHARACTERISTICS**

Center contact retention	
Axial force – Mating end	<b>10</b> N mini
Axial force – Opposite end	<b>10</b> N mini
Torque	<b>NA</b> N.cm mini

\*VSWR: up to 3GHz; 3-6GHz, 1.35max  
 \*Coaxial Transmission Line Only  
 \*Slide type receptacle+Bullet+Snap type receptacle  
 Radial misalignment tolerance: 3°min  
 Axial misalignment tolerance : 2mm  
 Power handling (typical) : >150W@3GHz,25°C

Recommended torque	
Mating	<b>SMP-MAX</b> <b>0</b> N.cm
	<b>MMBX</b> <b>0</b> N.cm
	<b>0</b> N.cm
Panel nut	<b>NA</b> N.cm

Mating life	<b>100</b> Cycles mini
Weight	<b>0,2170</b> g

Issue : **1045** A

In the effort to improve our products, we reserve the rights to make changes judged to be necessary.



PRELIMINARY