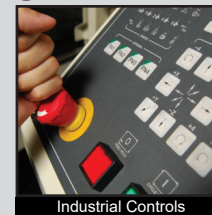
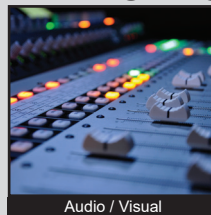


PVS7 SERIES ANTI-VANDAL SWITCH

ANTI-VANDAL SWITCHES
DETECTOR SWITCHES
DIP SWITCHES
KEYLOCK SWITCHES
NAVIGATION SWITCHES
PUSHBUTTON SWITCHES
ROCKER SWITCHES
ROTARY SWITCHES
SLIDE SWITCHES
SNAP ACTION SWITCHES
TACTILE SWITCHES
TOGGLE SWITCHES
CAP OPTIONS



APPLICATIONS / MARKETS



RoHS

SPECIFICATIONS

Electrical Rating: 2A, 24VDC
Electrical Life: 50,000 Cycles
Contact Resistance: 50mΩ Max.
Insulation Resistance: 1000 MΩ Min.
Dielectric Strength: 2,000VAC
Operating/Storage Temperature: -20°C to 55°C
Travel: 2.50mm
Moisture Protection: IP65
Contact Arrangement: SPDT, DPDT
Actuation Force: 4 N
Panel Thickness: 1-11mm
Mounting Nut Torque: 5-14Nm

FEATURES & BENEFITS

- 22mm diameter panel cutout
- RGB LED option
- Ring illumination available
- Multiple function options
- IP65 rated
- SPDT & DPDT
- Soldered wire leads (300mm long) optional

PART NUMBER CONFIGURATOR

Series	Actuator Options	Terminal Options	Function Options	Body Finish Options	Actuator Finish Options	Lens Style Options	LED-Color Options	Illumination Voltage Options	Graphic Options
<input type="text" value="PVS7"/>	<input type="text" value="F - Flat"/>	<input type="text" value="2 - Solder Wire Leads 300mm long"/>	<input type="text" value="3 - 1P On-On B - 1P On-(On) G - 2P On-On H - 2P On-(On)"/>	<input type="text" value="S - Stainless Steel"/>	<input type="text" value="S - Stainless Steel"/>	<input type="text" value="NONE - Non-Illuminated 3 - Ring Illumination"/>	<input type="text" value="NONE - Non-Illuminated 0 - White 1 - Red 2 - Orange 3 - Green 4 - Blue 5 - Yellow F - Red/Orange G - Red/Green H - Red/Blue J - Red/Yellow K - Orange/Green L - Orange/Blue M - Orange/Yellow R - RGB LED*"/>	<input type="text" value="NONE - Non-Illuminated 1 - Base Voltage 3 - 6V 4 - 12V 5 - 24V 6 - 125V 7 - 250V"/>	<input type="text" value="NONE - No Graphic M01 - Power symbol laser etched"/>

NOTES:
 () denotes function is momentary
 * RGB is only for SPDT functions 3 and B

Specifications subject to change without notice 12.16.2019



E-SWITCH®

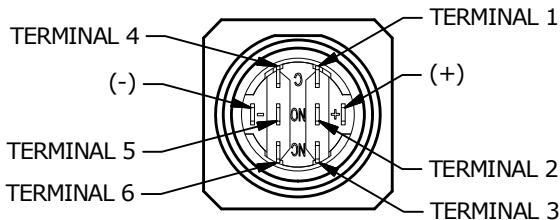
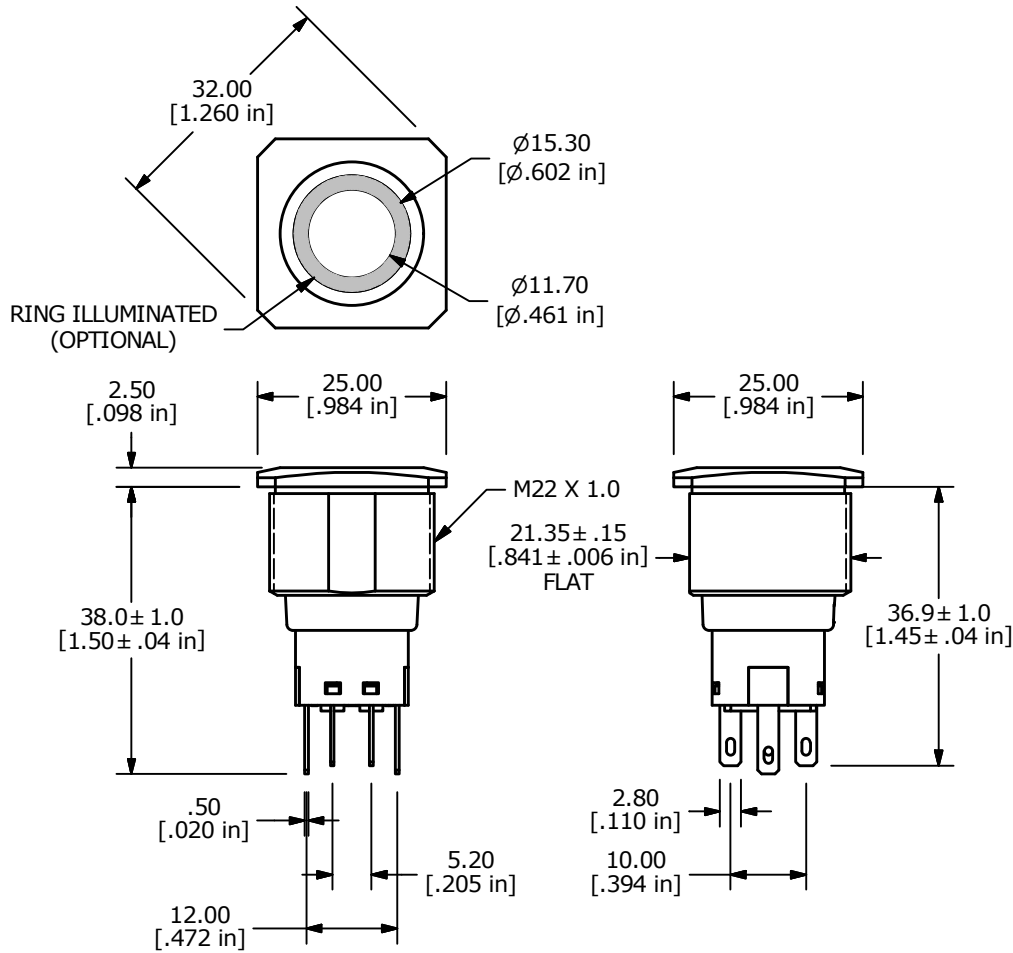
www.e-switch.com

800.867.2717

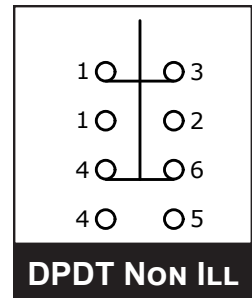
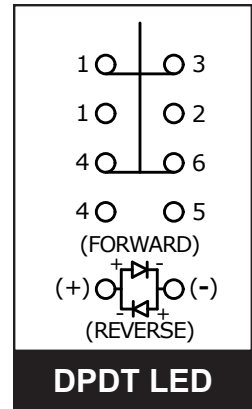
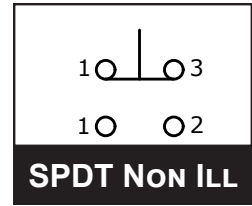
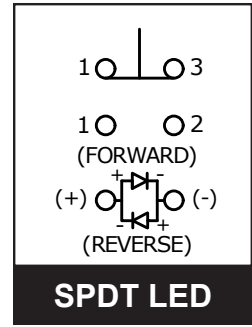
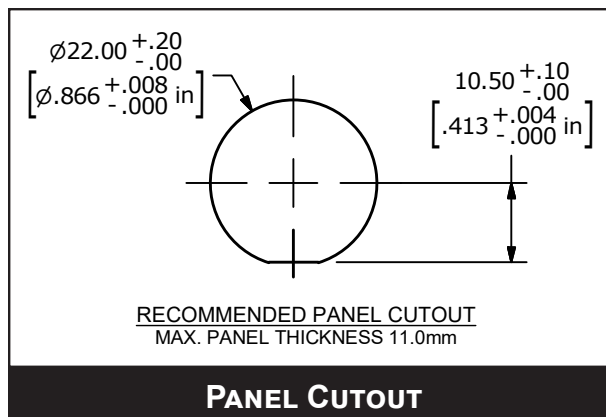
1

PVS7 SERIES ANTI-VANDAL SWITCH

STANDARD LED FUNCTIONS 3, B, G & H

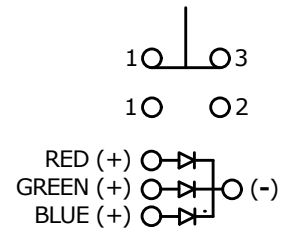
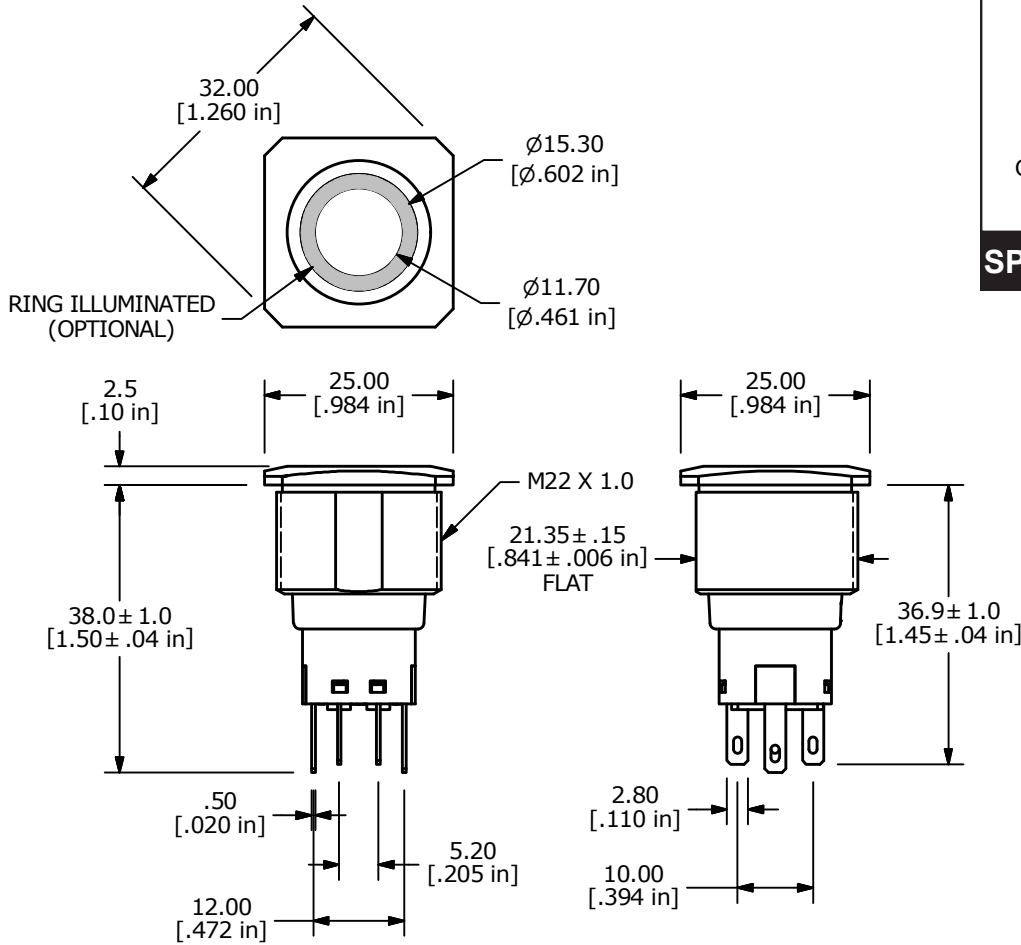


DPDT ILLUMINATED OPTION
SHOWN LED (+) AND (-)
TERMINALS ARE NOT
INCLUDED ON THE
NON-ILLUMINATED OPTION
TERMINALS 4,5 AND 6 ARE
NOT ON THE SPDT VERSION
FUNCTIONS 3 & B ARE SPDT
FUNCTIONS G & H ARE DPDT

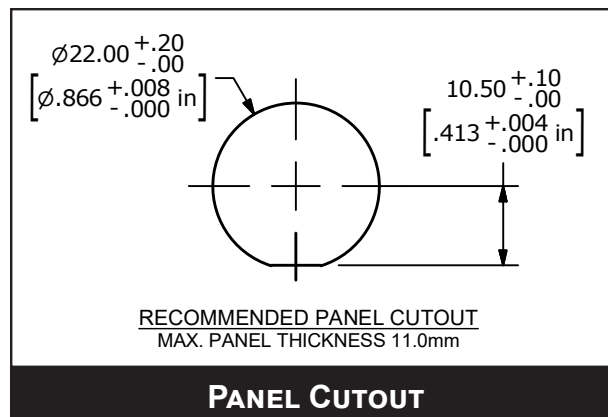
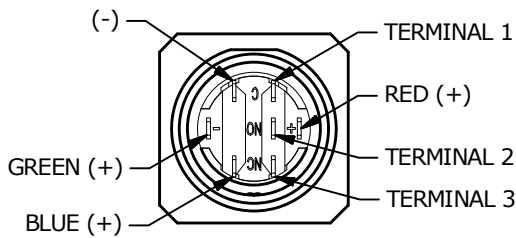


PVS7 SERIES ANTI-VANDAL SWITCH

RGB LED ILLUMINATION FUNCTIONS 3 & B

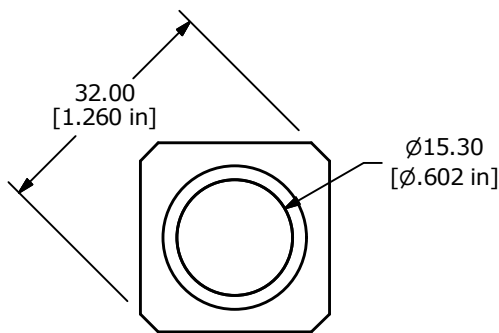


SPDT RGB LED SCHEMATIC

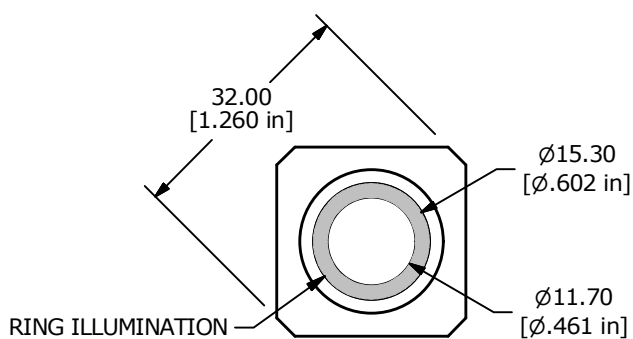


PVS7 SERIES ANTI-VANDAL SWITCH

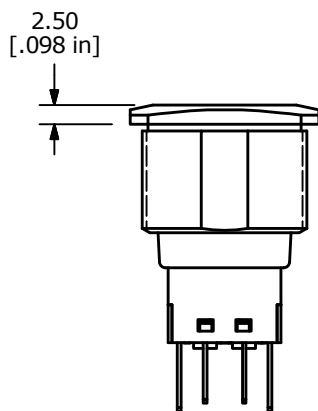
ACTUATOR OPTION



NON-ILLUMINATED

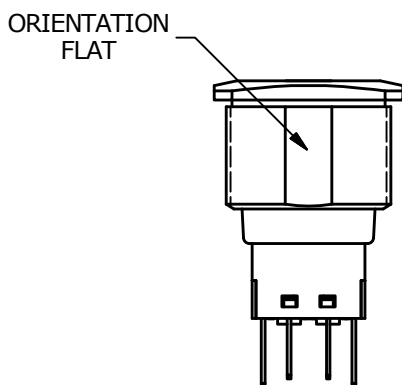
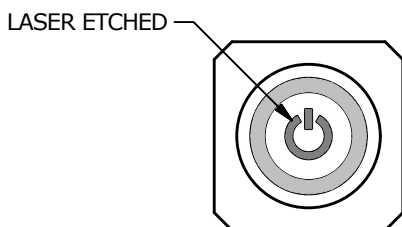


RING ILLUMINATED



FLAT ACTUATOR

GRAPHIC OPTION



M01

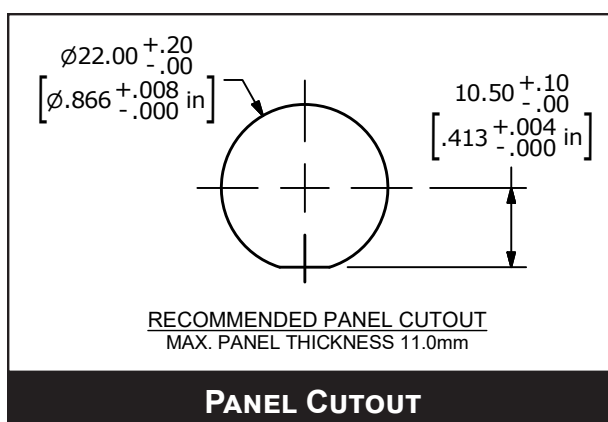
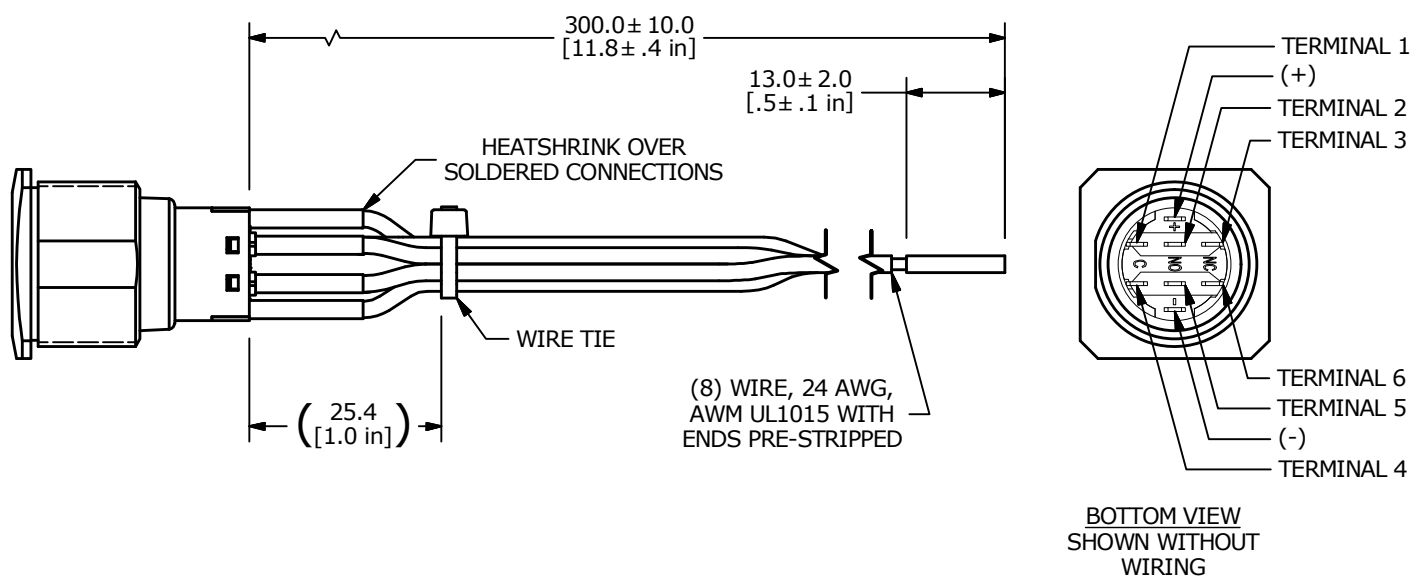


PVS7 SERIES ANTI-VANDAL SWITCH

STANDARD LED WIRE LEAD

SWITCH	WIRE	LENGTH
SW1-1	WIRE, 24AWG AWM UL1015, YELLOW	300.0 [11.8 in]
SW1-2	WIRE, 24AWG AWM UL1015, BLUE	300.0 [11.8 in]
SW1-3	WIRE, 24AWG AWM UL1015, GREEN	300.0 [11.8 in]
SW1-4	WIRE, 24AWG AWM UL1015, PURPLE	300.0 [11.8 in]
SW1-5	WIRE, 24AWG AWM UL1015, ORANGE	300.0 [11.8 in]
SW1-6	WIRE, 24AWG AWM UL1015, WHITE	300.0 [11.8 in]
SW1- (+)	WIRE, 24AWG AWM UL1015, RED	300.0 [11.8 in]
SW1- (-)	WIRE, 24AWG AWM UL1015, BLACK	300.0 [11.8 in]

** WIRE LEADS PROVIDED ARE DEPENDANT ON THE FUNCTION AND/OR ILLUMINATION SELECTED **



PVS7 SERIES ANTI-VANDAL SWITCH

RGB LED WIRE LEAD

SWITCH	WIRE	LENGTH
SW1-1	WIRE, 24AWG AWM UL1015, ORANGE	300.0 [11.8 in]
SW1-2	WIRE, 24AWG AWM UL1015, WHITE	300.0 [11.8 in]
SW1-3	WIRE, 24AWG AWM UL1015, YELLOW	300.0 [11.8 in]
SW1-RED (+)	WIRE, 24AWG AWM UL1015, RED	300.0 [11.8 in]
SW1-GREEN (+)	WIRE, 24AWG AWM UL1015, GREEN	300.0 [11.8 in]
SW1-BLUE (+)	WIRE, 24AWG AWM UL1015, BLUE	300.0 [11.8 in]
SW1- (-)	WIRE, 24AWG AWM UL1015, BLACK	300.0 [11.8 in]

** WIRE LEADS PROVIDED ARE DEPENDANT ON THE FUNCTION AND/OR ILLUMINATION SELECTED **

