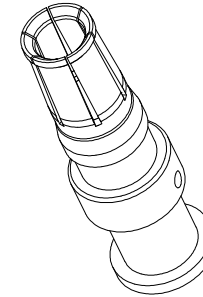
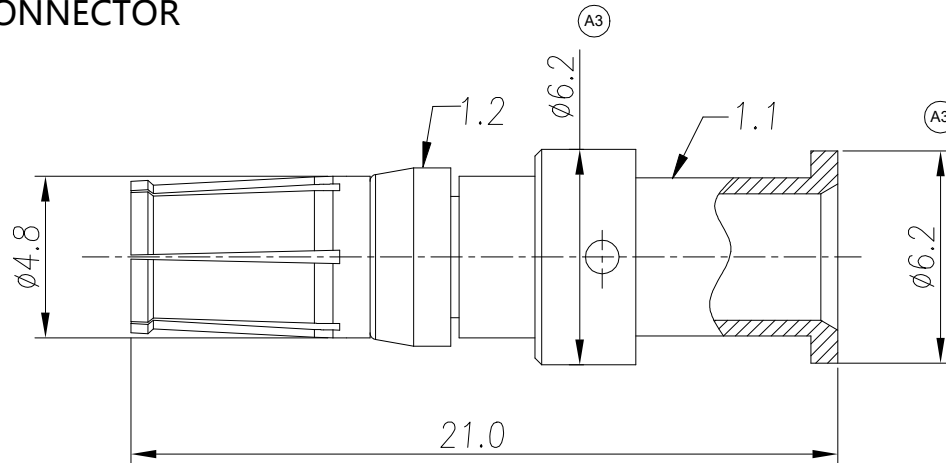


NOTE: (A4)

SUITABLE FOR RT360 SERIES 1403 LAYOUT WITHOUT "EC"
PART NUMBER CONNECTOR



| REVISIONS | | | | | |
|-----------|-----|------------------|-------------|--------|-------|
| REV | ECO | DESCRIPTION | DATE | BY | APPR |
| A1 | - | RELEASED DRAWING | Jan-17-2018 | Nick | TOMMY |
| A2 | - | UPDATE DRAWING | Jan-19-2018 | Nick | TOMMY |
| A3 | - | UPDATE DRAWING | Aug-06-2019 | Ronald | Tommy |
| A4 | - | Add the note | Sep-14-21 | Flan | Tommy |

NOTES: (UNLESS OTHERWISE SPECIFIED)

- MATERIAL:
 - CONTACT BODY: COPPER ALLOY.
 - POSITIONING CLIP: COPPER ALLOY.
- SPECIFICATIONS:
 - CURRENT RATING: 45A(MAX).
 - TERMINATION TYPE: CRIMPING.
 - WIRE RANGE: SEE TABLE
- SUITABLE CONTACT: MP10A23*-25 & MP10A23*-63.
- RoHS COMPLIANT.
- ALL DIMENSIONS ARE FOR REFERENCE USE ONLY.

| P/N | WIRE RANGE | CONTACT PLATING(MATING AREA) |
|-------------|------------------------|---------------------------------|
| MS10A23S-25 | 1.5~2.5mm ² | SILVER PLATING OVER NICKEL. |
| MS10A23F-25 | 1.5~2.5mm ² | GOLD FLASH PLATING OVER NICKEL. |
| MS10A23S-63 | 4~6mm ² | SILVER PLATING OVER NICKEL. |
| MS10A23F-63 | 4~6mm ² | GOLD FLASH PLATING OVER NICKEL. |

| QUANTITY | PART NUMBER | DESCRIPTION | ITEM |
|--|-------------|--|---|
| MATERIALS LIST | | | |
| UNLESS OTHERWISE SPECIFIED 1) All dimensions are in metric(mm). 2) Tolerances are as follows: 1 PL DEC ±0.30 2 PL DEC ±0.15 3 PL DEC ±0.08 Fractions ±1/64 Angles ±1° 3) Note reference = | | SIGNATURES DATE DRAWN: Flan Sep-14-21 CHECKED: Orion Sep-15-21 ENGINEER: APPROVAL: Tommy Sep-15-21 CUSTOMER: | Sine Systems - www.amphenol-sine.com 44724 Morley Drive Clinton Township, MI 48036 |
| MATERIAL SPECIFICATIONS: PROCESS SPECIFICATIONS: NEXT ASSY: | | THIS DRAWING IS SUPPLIED FOR INFORMATION ONLY. DESIGN FEATURES, SPECIFICATIONS AND PERFORMANCE DATA SHOWN HEREON ARE THE PROPERTY OF THE AMPHENOL CORPORATION. NO RIGHTS OF REPRODUCTION ARE IMPLIED. ALL DIMENSIONS ARE SUBJECT TO NORMAL MANUFACTURING VARIATIONS. | EcoMate RM, SOCKET CONTACT MACHINE, 8# (Ø3.6mm) SIZE: B TYPE: C- DWG NO: MS10A23*-25/63 REVISION: A4 SCALE: NONE SHEET 1 OF 1 |

TITLE: EcoMate RM, SOCKET CONTACT, MACHINE, 8# (Ø3.6mm)
 DWG NO: MS10A23*-25/63
 REV: A4
 SH: 1
 OF: 1